



# Installation Guide

System Overview, Components, Tools, Accessories,  
Construction Process, Installation Procedures,  
Bracing & Core Filling

# Table Of Contents

<b>Table Of Contents</b>	<b>2</b>	Corner Installation –RW200C, Hooked U-Bars or Closed Ligatures..... 53
Legal Statements.....	3	Corner Installation –RW200C, Hooked U-Bars or Closed Ligatures..... 54
<b>Introduction</b>	<b>4</b>	Corner Installation – RW256S, RW275S, RW300S – Open Corner..... 55
<b>System Overview</b>	<b>5</b>	Corner Installation – RW256S, RW275S, RW300S – Open Corner..... 56
Rediwall® Product Description .....	8	Wall Construction..... 57
Rediwall® System Benefits.....	8	Safety Rail/Balustrade Wall Installation .....
<b>Components, Tools &amp; Accessories</b>	<b>9</b>	T-Junction Construction .....
Components for RW110C System.....	9	Obtuse Corner Construction .....
Components for RW156C System.....	11	H-Joiner Installation .....
Components for RW200C System.....	14	H-Joiner Installation (Limited Site Access) .....
Components for RW256S System .....	17	Accessory Extensions .....
Components for RW275S System .....	19	End Cap Installation .....
Components for RW300S System .....	21	RW256S, RW275S and RW300S Blade Walls .....
Tools & Accessories .....	23	Column Construction .....
Workplace Health Safety and the Environment.....	24	U-bar Installation.....
<b>The Construction Process</b>	<b>27</b>	Rediwall® Edge Form.....
Construction Process Overview .....	27	Rediwall® J-Track Installation .....
Ordering .....	30	Window Openings .....
How to order .....	30	Doorway & Lintel Installation .....
<b>Construction and Installation Procedures</b>	<b>31</b>	RW200C 15° Panel – Curved Wall Installation .....
Introduction .....	31	Wide Radius Curved Wall Installation .....
Component Delivery & Worksite Layout .....	32	Curved Wall Reinforcement Bar Installation .....
Floor/Wall Junction – Floor Track Installation .....	33	Stairway Landing Construction .....
Control Joints .....	35	Retention Tank Construction & Tanking .....
Starting Location.....	35	Lift Pit .....
Corner Construction .....	36	Installation of Services.....
Wall Construction.....	37	Penetrations .....
Wall Reinforcement .....	38	<b>Rediwall® Temporary Construction Bracing</b>
Steel Reinforcement Installation – Single layer .....	38	Bracing of Walls .....
Corner Reinforcement Installation With Ezy-fit™		<b>Core Filling of Walls</b>
Corner Cap.....	39	<b>SCC Construction Details</b>
Corner Reinforcement Installation With Ezy-fit™		
Corner Cap.....	40	
Steel Reinforcement Installation – Double layer .....	41	
Steel Reinforcement Installation – Double layer .....	42	
Steel Reinforcement Installation – Double layer .....	43	
Steel Reinforcement Installation – Double layer .....	44	
Steel Reinforcement Installation – Double Layer .....	45	
Base Track installation.....	46	
Steel Reinforcement Installation – Lowest Ligature		
Steel Reinforcement Installation – Subsequent Ligatures.....	48	
Steel Reinforcement Installation – Subsequent Ligatures (continued).....	49	
Steel Reinforcement Installation – Ligatures Above Starter Bars .....	50	
Steel Reinforcement Installation – Hook Bars .....	51	
Corner Installation – RW200C, Hooked U-Bars or Closed Ligatures.....	52	

## Legal Statements

### Important Legal Statements

Reasonable efforts have been made to ensure the accuracy of this publication; however, any information or data contained herein is subject to change without notice. To ensure the information you are using is correct, AFS recommends you review the latest technical information available on the AFS website [www.afsformwork.com.au](http://www.afsformwork.com.au), or alternatively call 1300 727 237 to speak to a Technical Representative.

The AFS logo and rediwall® mark are registered trade marks. © 2020 AFS SYSTEMS PTY LTD. No part of this publication may be reproduced in any form or by any means without prior written permission from AFS Systems Pty Ltd. All rights reserved.



### Disclaimer

The products referred to in this document have been manufactured by or on behalf of CSR Building Products Limited ("CSR") to comply with the Building Code of Australia and any relevant Australian Standards. While any design or usage guidelines set out in this document have been prepared in good faith by CSR, they are of a general nature only and are intended to be used in conjunction with project specific design and engineering advice.

It is the responsibility of the customer to ensure that CSR's products are suitable for their chosen application, including in respect of project-specific matters such as, but not limited to structural adequacy, acoustic, fire resistance/combustibility, thermal, and weatherproofing requirements. All information relating to design/installation/application of these products is offered without warranty and no responsibility can be accepted by CSR for errors and omissions, or for any use of the relevant products not in accordance with CSR's technical literature or any other relevant industry standards. For current technical and warranty documentation relating to CSR's products, visit the AFS website at [www.afsformwork.com.au](http://www.afsformwork.com.au)

# Introduction

This Installation Guide forms part of a comprehensive afs rediwall® Design Guide (Vol1, Vol2 & Vol 3) which includes chapters dedicated to Design, Performance, Compliance, Construction, Finishes and Installation of Rediwall. This Guide should be read in conjunction with Vol 1 & Vol 2. Downloads of these chapters are available via the Resource Centre at [www.afsformwork.com.au](http://www.afsformwork.com.au).

Our innovative afs rediwall® fibre cement, and afs rediwall® pvc permanent formwork walling systems have enabled the speedy and cost-efficient installation of load-bearing walls across a range of projects including multi-residential, hotels, aged care facilities, shopping centres and student accommodation.

No matter what the application from the basement right through to the penthouse, we have a comprehensive walling solution to meet the demands of any project as only AFS is able to offer you the versatility of both a fibre cement or pvc walling solution.

Our rediwall® pvc system's extruded components simply snap or slide together to create a concrete formwork erected with maximum efficiency. Rediwall® requires almost no machinery-aided installation. In fact, installations can be undertaken without the need for any detailed training. And with its high quality semi-gloss finish it requires no additional finishing for most applications.

Suitable as a tough load bearing solution for building subterranean structures such as basements and retention tanks, it can also be utilized for above ground applications such as party walls, columns and retaining walls, making it a truly versatile solution.



## Backed by one of Australia's most trusted brands

AFS Systems is a division of CSR Building Products Limited, one of Australia's leading building products companies.

We form part of CSR's portfolio of trusted brands - amongst some of the biggest names in the Australasian building products industry.

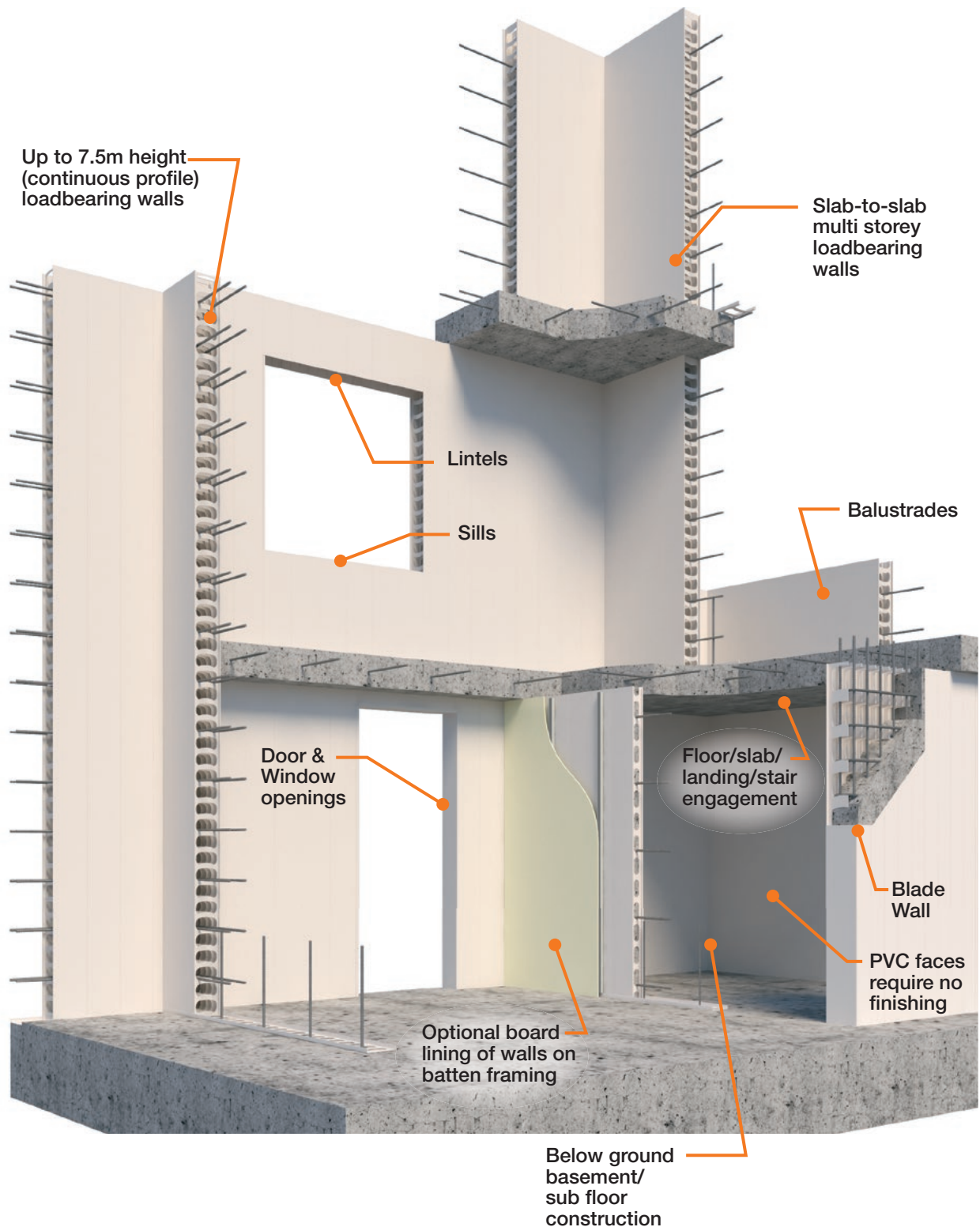


**smarter  
permanent  
formwork.™**

# System Overview

AFS Rediwall® systems provide loadbearing wall solutions for residential or commercial structures and multi storey buildings. These systems can be used for both above and below ground structures. The rediwall®

systems are highly modular, providing architects and engineers the freedom to design buildings to suit various applications.



Note: If rediwall® is exposed to UV, appropriate protective finish shall be applied.

**Rediwall®  
Party walls**

**Rediwall®  
Boundary walls**

**Rediwall®  
Corridor walls**

**Rediwall®  
Balustrades**

**Rediwall®  
Garden/Landscape  
walls**

**Rediwall®  
Retention Tanks**

**Rediwall®  
Basement walls**





**Rediwall®  
Façade walls**

**Rediwall®  
Balustrades**

**Rediwall®  
Blade walls**

**Rediwall®  
Lift & Stair shafts**

**Rediwall®  
Retaining walls**

**Rediwall®  
Blade Columns**

## Rediwall® Product Description

Rediwall® consists of extruded rigid PVC components that serve as a permanent formwork for cast in-situ concrete walls for a large range of applications. The extruded components slide and snap together to create a PVC formwork that remains in place after the concrete is poured and cured, providing a low maintenance, finished wall surface.

The AFS Rediwall® system allows for the panels to be installed from the concrete slab which accommodates the vertical walls being built prior to the horizontal formwork being installed

The available rediwall® types are identified in the following table:

**TABLE C1: Rediwall® Systems Overview**

AFS Rediwall®		OVERALL THICKNESS (NOMINAL)	CONCRETE CORE (INTERNAL CAVITY)	FILLED MASS (kg/m <sup>2</sup> )	UNFILLED MASS (kg/m <sup>2</sup> )	PVC WALL THICKNESS (mm)
Clip System	RW110C	110mm	105mm	257	9.3	2.4
	RW156C	156mm	151mm	367	9.9	2.4
	RW200C	200mm	195mm	472	10.4	2.4
Slide System	RW256S	256mm	251mm	606	12.1	2.4
	RW275S	275mm	270mm	651	11.8	2.5
	RW300S	300mm	295mm	711	12.8	2.5

## Rediwall® System Benefits


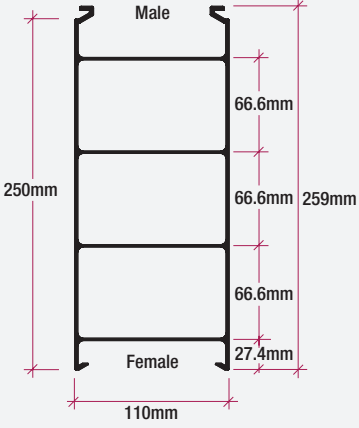
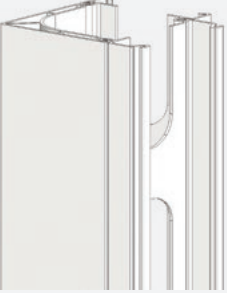
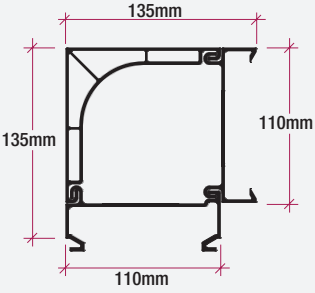
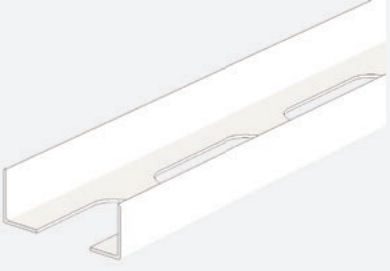



With an increasing demand throughout the construction industry for faster and more efficient building methods, rediwall® has gained rapid acceptance in the market place due to the range of benefits it offers developers, designers and builders, including:

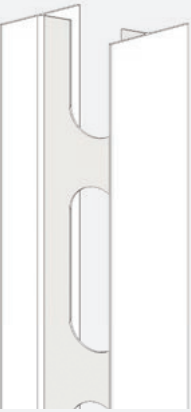
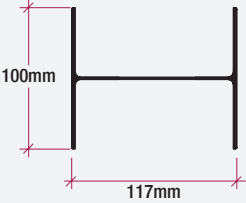



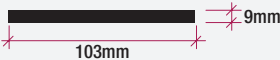
- Cost efficiency
- Speed of construction
- Ease of installation and materials handling
- Low maintenance and aesthetically appealing finish
- NCC compliant
- Water resistant
- Design versatility




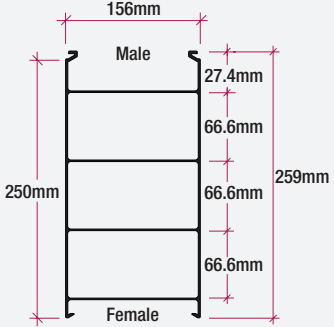

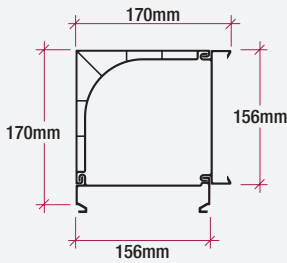

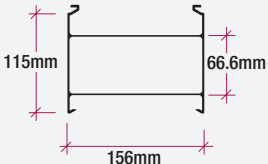
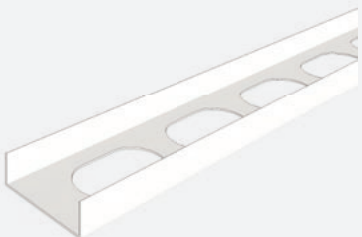
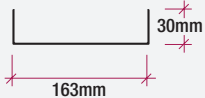
# Components, Tools & Accessories


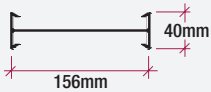
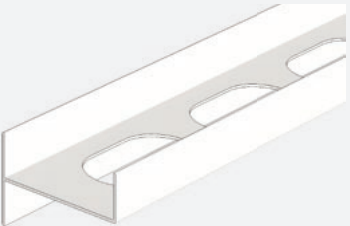
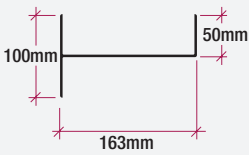
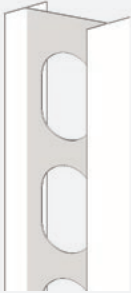
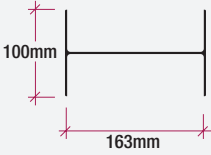


## Components for RW110C System




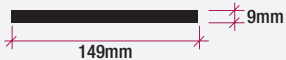
RW110C Panel		Description
		<p>An extruded PVC panel used to form the main body of a wall. Adjoining panels are fitted using the male to female clip-in system. Each panel is extruded to a surface tolerance of 1.5mm. Has 4 internal webs with oval holes for single reo bar placement. For m<sup>2</sup> calculation, face width is 250mm.</p>
RW110C Corner Assembly		Description
		<p>A three piece PVC panel that forms a corner between walls meeting at 90°. Designed to allow for removal of the outside 90° corner cap for easy placement and inspection of internal reinforcement. Cap is refitted for concrete filling. Adjoining panels are fitted using the male to female clip-in system.</p>
Floor Track		Description
		<p>A PVC track used to set the bottom line of the wall. Laid flat, the floor track has large holes for starter bars, etc. The sides are for both locating the panels and for screw fixing to the bottom of the panels. Also used as an alternative to a T-joiner in tee junction arrangements.</p>
T joiner		Description
		<p>A PVC extrusion used to start a T-wall from a through wall, where the T-wall is close to 90°. Fixed vertically to the face of the through wall. Has holes in its face to assist alignment when drilling the through wall for reo bar placement. Adjoining panels are fitted using the male to female clip-in system.</p>

H joiner		Description
		<p>A slide-on PVC extrusion.</p> <p>Primarily used horizontally on external walls where it is laid along the straightened top of panels to act as a bottom track for the next level of panels.</p> <p>Also used vertically as a wall make-up piece. Can be slid into a gap in the wall of 50mm or less and screw fixed to adjoining panels.</p>
Slide on End Cap		Description
		<p>A slide-on PVC extrusion for capping off wall ends and openings. Fixed on each side with screws and/or glue. Can be installed before or after wall is filled. Adequate bracing must be provided.</p>
Fibre Cement Strip		Description
		<p>A fibre cement strip, for closing off wall ends, where a simple shutter is required. Cut to length on-site, the strip slides in behind the female clip end of the panel (or alternatively behind a web). Can also be use as a pour break. Adequate bracing must be provided.</p>

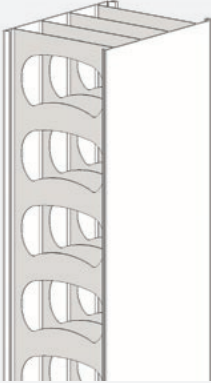
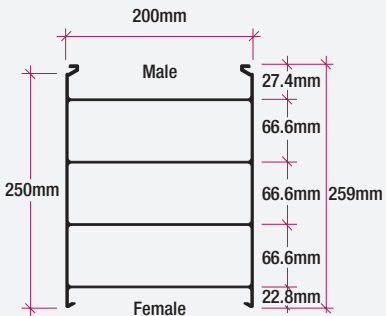

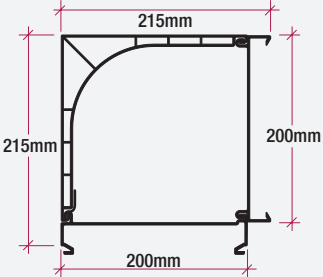

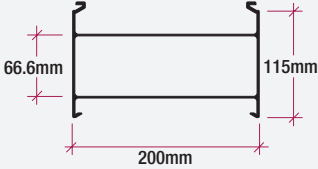
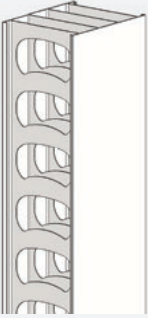
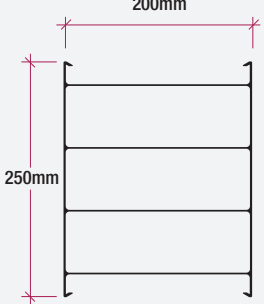
## Components for RW156C System


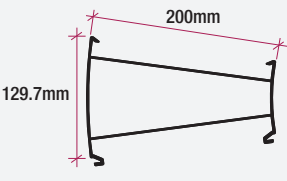
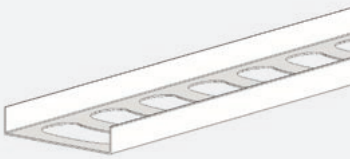


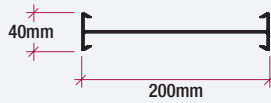
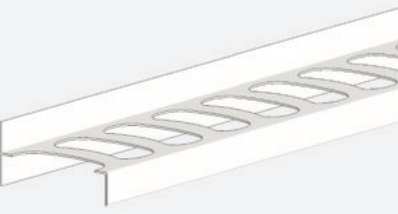
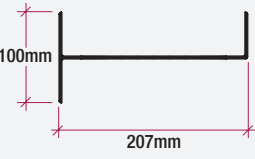

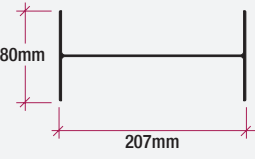
RW156C Panel	Description	Description
		<p>An extruded PVC panel used to form the main body of a wall. Adjoining panels are fitted using the male to female clip-in system. Each panel is extruded to a surface tolerance of 1.5mm. Has 4 internal webs with oval holes for single reo bar placement. For m<sup>2</sup> calculation, face width is 250mm.</p>
RW156C Corner Assembly	Description	Description
		<p>A three piece PVC panel that forms a corner between walls meeting at 90°. Designed to allow for removal of the outside 90° corner cap for easy placement and inspection of internal reinforcement. Cap is refitted for concrete filling. Adjoining panels are fitted using the male to female clip-in system.</p>
115mm Spacer	Description	Description
		<p>An extruded PVC panel used to adjust the length of a wall. Adjoining panels are fitted using the male to female clip-in system. Used primarily close to the closure of a wall, Has 2 internal webs with oval holes for single reo bar placement. For m<sup>2</sup> calculation, face width is 115mm.</p>
Floor Track	Description	Description
		<p>A PVC track used to set the bottom line of the wall. Laid flat, the floor track has large holes for starter bars, etc. The sides are for both locating the panels and for screw fixing to the bottom of the panels. Also used as an alternative to a T-joiner in tee junction arrangements.</p>








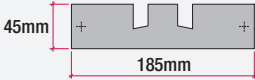
Female/Female Joiner		Description
		An extruded PVC joiner used to reverse a male panel end to a female panel end. For m <sup>2</sup> calculation, face width is 40mm.
J Track		Description
		A slide-on PVC extrusion primarily used horizontally on external walls where an edge-form slab is to be formed. It is laid along the straightened top of panels to act as a bottom track for the next level of panels and to assist with edge-form preparation.
H Joiner		Description
		A slide-on PVC extrusion primarily used horizontally on external walls where it is laid along the straightened top of panels to act as a bottom track for the next level of panels.  Also used vertically as a wall make-up piece. Can be slid into a gap in the wall of 50mm or less and screw fixed to adjoining panels.
T Joiner		Description
		A PVC extrusion that is fixed vertically to the face of a through wall to start a T-wall, where the T-wall is close to 90°. Has holes in its face to assist alignment when drilling the through wall for reo bar placement. Adjoining panels are fitted using the male to female clip-in system.

Slide on End Cap		Description
		<p>A slide-on PVC extrusion for capping off wall ends and openings. Fixed on each side with screws and/or glue. Can be installed before or after wall is filled. Adequate bracing must be provided.</p>
Fibre Cement Strip		Description
		<p>A fibre cement strip, for closing off wall ends, where a simple shutter is required. Cut to length on-site, the strip slides in behind the female clip end of the panel or joiner (or alternatively behind a web). Can also be use as a pour break. Adequate bracing must be provided.</p>

Components for RW200C System

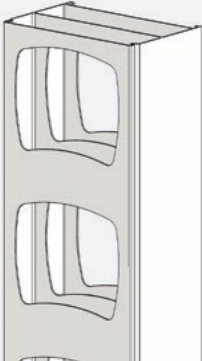

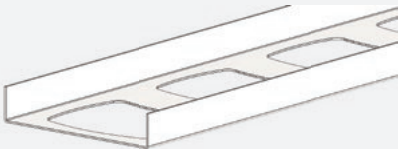


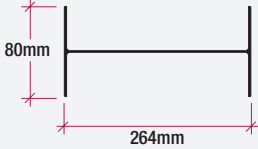



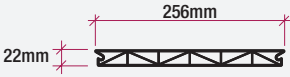
RW200C Panel	Description	Description
		<p>An extruded PVC panel used to form the main body of a wall. Adjoining panels are fitted using the male to female clip-in system. Each panel is extruded to a surface tolerance of 1.5mm. Webs have kidney shaped holes for single, or double reo bar placement by inverting the panel. Holes must be kept in horizontal alignment. For m<sup>2</sup> calculation, face width is 250mm.</p>
RW200C Corner Assembly	Description	Description
		<p>A three piece PVC panel that forms a corner between walls meeting at 90°. Designed to allow for removal of the outside 90° corner cap for easy placement and inspection of internal reinforcement. Cap is refitted for concrete filling. Adjoining panels are fitted using the male to female clip-in system.</p>
115mm Spacer	Description	Description
		<p>An extruded PVC panel used to adjust the length of a wall. Adjoining panels are fitted using the male to female clip-in system. Used primarily close to the closure of a wall. Has 2 internal webs with kidney shaped holes for single, or double reo bar placement by inverting the panel. For m<sup>2</sup> calculation, face width is 115mm.</p>
FF (Female-Female) Panel	Description	Description
		<p>An extruded PVC panel used to reverse the ends of a panel section. Particularly useful during column construction when fibre cement end caps are required. Reversing the panel end results in a female end being present at both ends of the column, allowing for the installation of neat fibre cement end caps.</p>


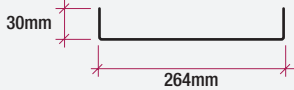

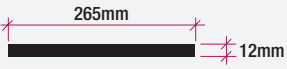

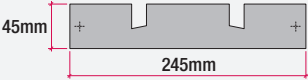
15° Curved Wall Panel		Description
		An extruded PVC panel used to form curved walls. Each panel produces a 15° curve. Adjoining panels, either the 115mm spacer or additional curved panels are added to create walls of the required radius between 0.7m to 4.8m.
Floor Track		Description
		A PVC track used to set the bottom line of the wall. Laid flat, the floor track has large holes for starter bars, etc. The sides are for both locating the panels and for screw fixing to the bottom of the panels. Also used as an alternative to a T-joiner in tee junction arrangements.
Female/Female Joiner		Description
		An extruded PVC joiner used to reverse a male panel end to a female panel end. For m <sup>2</sup> calculation, face width is 40mm.
J Track		Description
		A slide-on PVC extrusion primarily used horizontally on external walls where an edge-form slab is to be formed. It is laid along the straightened top of panels to act as a bottom track for the next level of panels and to assist with edge-form preparation.
H Joiner		Description
		A slide-on PVC extrusion. Primarily used horizontally on external walls where it is laid along the straightened top of panels to act as a bottom track for the next level of panels.  Also used vertically as a wall make-up piece. Can be slid into a gap in the wall of 38mm or less and screw fixed to adjoining panels.

T Joiner		Description
		A PVC extrusion that is fixed vertically to the face of a through wall to start a T-wall, where the T-wall is close to 90°. Has holes in its face to assist alignment when drilling the through wall for reo bar placement. Adjoining panels are fitted using the male to female clip-in system.
Slide on End Cap		Description
		For capping off wall ends and openings. A slide on connection with a 30mm side for fixing with screws or glue. Can be installed before or after wall is filled. Must be propped when filling, if a flat end is required.
Fibre Cement Strip		Description
		A fibre cement strip, for closing off wall ends, where a simple shutter is required. Cut to length on-site, the strip slides in behind the female clip end of the panel or joiner (or alternatively behind a web). Can also be use as a pour break. Adequate bracing must be provided.
VBL- Vertical bar locator		Description
		An accessory to ensure that vertical reinforcement is positively located within AFS walls.

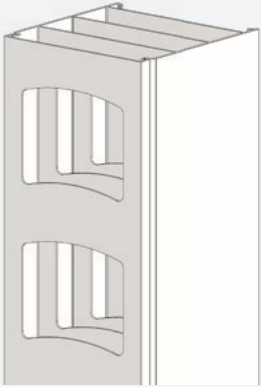
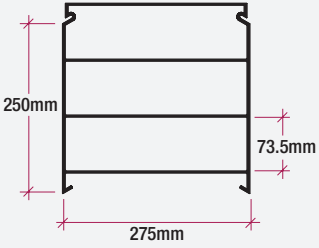


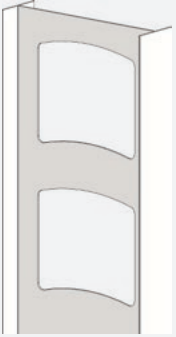
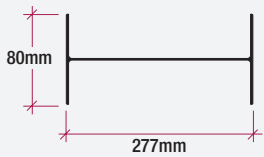

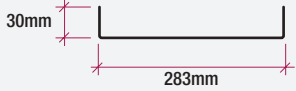



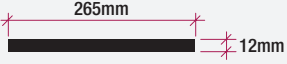

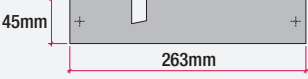
## Components for RW256S System

RW256S Panel		Description
		An extruded PVC panel used to form the main body of a wall. Adjoining panels are fitted using the male to female slide in coupling system. Each panel is extruded to a surface tolerance of 1.5mm. Webs have arched rectangular holes to accept double reo with appropriate concrete cover. Panels are joined by male to female slide in coupling. For m <sup>2</sup> calculation, face width is 150mm.
Floor Track		Description
		A PVC track used to set the bottom line of the wall. Laid flat, the floor track has large holes for starter bars, etc. The sides are for both locating the panels and for screw fixing to the bottom of the panels.
H Joiner		Description
		A slide-on PVC extrusion. Primarily used horizontally on external walls where it is laid along the straightened top of panels to act as a bottom track for the next level of panels.  Also used vertically as a wall make-up piece. Can be slid into a gap in the wall of 38mm or less and screw fixed to adjoining panels.
Female/Female Joiner		Description
		An extruded PVC joiner used to reverse a male panel end to a female panel end. For m <sup>2</sup> calculation, face width is 42mm.
Quick Cap		Description
		A slide-on PVC extrusion for capping off wall ends and openings. Adequate bracing must be provided.

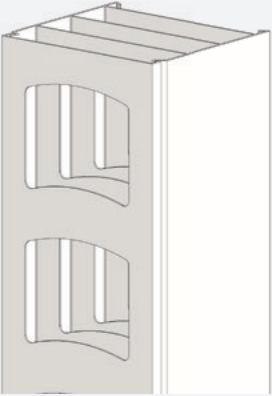
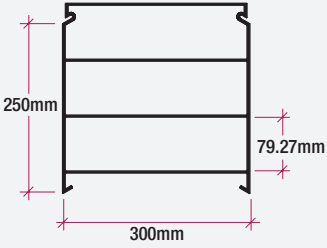
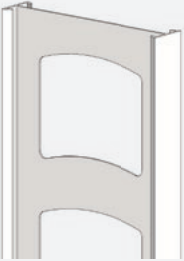

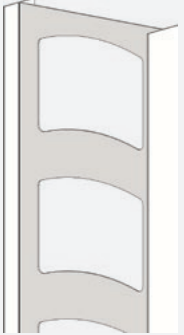
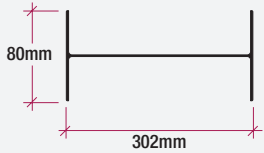
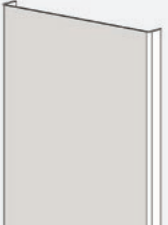

Slide On End Cap		Description
		A slide-on PVC extrusion for capping off wall ends and openings. Adequate bracing must be provided.
Fibre Cement Strip		Description
		A fibre cement strip, for closing off wall ends, where a simple shutter is required. Cut to length on-site, the strip slides in behind the web of an end panel. Can also be use as a pour break. Adequate bracing must be provided.
VBL- Vertical bar locator		Description
		An accessory to ensure that vertical reinforcement is positively located within AFS walls


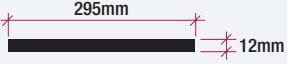


## Components for RW275S System

RW275S Panel		Description
		<p>An extruded PVC panel used to form the main body of a wall. Adjoining panels are fitted using the male to female slide in coupling system. Each panel is extruded to a surface tolerance of 1.5mm. Has 4 internal webs with arched rectangular holes for double reo bar with appropriate concrete cover. For m<sup>2</sup> calculation, face width is 250mm.</p>
Female/Female Joiner		Description
		<p>An extruded PVC joiner used to reverse a male panel end to a female panel end. For m<sup>2</sup> calculation, face width is 65mm.</p>
H Joiner		Description
		<p>A slide-on PVC extrusion. Primarily used horizontally on external walls where it is laid along the straightened top of panels to act as a bottom track for the next level of panels.</p> <p>Also used vertically as a wall make-up piece. Can be slid into a gap in the wall of 38mm or less and screw fixed to adjoining panels.</p>
Slide On End Cap		Description
		<p>A slide-on PVC extrusion for capping off wall ends and openings. Adequate bracing must be provided.</p>

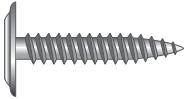

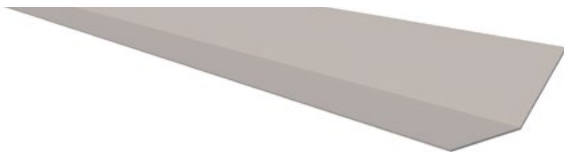


Fibre Cement Strip		Description
		A fibre cement strip, for closing off wall ends, where a simple shutter is required. Cut to length on-site, the strip slides in behind the web of an end panel. Can also be use as a pour break. Adequate bracing must be provided.
VBL- Vertical bar locator		Description
		An accessory to ensure that vertical reinforcement is positively located within AFS walls

## Components for RW300S System

RW300S Panel		Description
		<p>An extruded PVC panel used to form the main body of a wall. Adjoining panels are fitted using the male to female slide in coupling system. Each panel is extruded to a surface tolerance of 1.5mm. Has 4 internal webs with arched rectangular holes for double reo bar with appropriate cover. For m<sup>2</sup> calculation, face width is 250mm.</p>
Female/Female Joiner		Description
		<p>An extruded PVC joiner used to reverse a male panel end to a female panel end. For m<sup>2</sup> calculation, face width is 65mm.</p>
H Joiner		Description
		<p>A slide-on PVC extrusion. Primarily used horizontally on external walls where it is laid along the straightened top of panels to act as a bottom track for the next level of panels.</p> <p>Also used vertically as a wall make-up piece. Can be slid into a gap in the wall of 38mm or less and screw fixed to adjoining panels.</p>
Fibre Cement Strip		Description
		<p>A slide-on PVC extrusion for capping off wall ends and openings. Adequate bracing must be provided.</p>

Fibre Cement Strip		Description
		A fibre cement strip, for closing off wall ends, where a simple shutter is required. Cut to length on-site, the strip slides in behind the web of an end panel. Can also be use as a pour break. Adequate bracing must be provided.
VBL- Vertical bar locator		Description
		An accessory to ensure that vertical reinforcement is positively located within AFS walls

## Tools & Accessories

Screws	Description
	Button head stitching screw 10G x 25mm, for joining of rediwall® components.
Wall Brace	Description
	Adjustable wall bracing is available from AFS for purchase. Contact afs for further information.
Squint Angle	Description
	Powder coated metal squint angle 150 x 150mm at 135° Used to form 45° wall corners.
Floor Angle	Description
	Galvanised metal floor angle 50 x 50mm at 90°. Used to set the bottom line of the wall. Laid flat, and set at a distance apart to match the wall sized used. The sides are for both locating the panels and for screw fixing to the bottom of the panels
Internal Corner Angle	Description
	Galvanised metal internal corner connection angle 30 x 30mm at 90°. Used in to connect the RW256/RW275/ RW300 open corner panels assemblies at the internal corner junction. The angle is screwed to the male ends of the panels.

## Workplace Health Safety and the Environment

AFS rediwall® has been designed with workplace health safety and the environment in mind. Issues regarding installation have been considered so that the risk of harm to those who build, use and maintain the structure is minimised.

A vital consideration when planning installation, is to have appropriate safe systems of work to identify hazards, assess risks, control exposures and to ensure a process is in place to review control measures.

Assessing the hazards associated with the installation methods, equipment, tools, dust, noise, chemicals, other trades and work environment is the responsibility of both the builder and installer.

Appropriate assessment of risk, adequate resources, communication methods and training provided to workers is to be considered and documented for each site location.

### Personal Protective Equipment

The Personal Protective Equipment (PPE) required may vary from site to site and from time to time, and it is the responsibility of every individual to ensure that they use the appropriate equipment to safeguard themselves and those around them.

Rediwall® panels and concrete contain silicas that are harmful if inhaled. Appropriate protective clothing and breathing equipment must be worn when cutting rediwall®.

When cutting, drilling, screwing or grinding panels using power tools, an attached LEV and a M or H Class HEPA filter industrial vacuum must be used.

#### **Always ensure the work area is properly ventilated.**

An approved P2 half face mask and safety glasses must be worn. AFS recommends that hearing protection be worn if equipment used exceeds noise standards.

### Recommended Safe Working Practices

#### Cutting Outdoors

- Position cutting station so wind will blow dust away from the user or others in the working area.
- Use a dust reducing plunge saw equipped with a dust extract ion system . (LEV and a M or H Class HEPA filter)

#### Sanding/Drilling/Screwing/Other Machining

- When sanding, drilling, screwing or machining, you should always wear a P2 half face mask. **(provides 10 x protection from dust inhalation)**
- Fit check and fit test your respirators to get full protection.
- Replace your mask (or filter components) more often if heavy dust.
- Warn others in the immediate area to move away or wear suitable PPE.

### Important Reminders

**NEVER** use a power saw indoors without adequate ventilation and PPE.

**NEVER** use a saw blade that is not purpose-made for cutting PVC, fibre cement, concrete and steel products.

**NEVER** dust generation by either vacuuming or wet sweeping.

**NEVER** dry sweeping - only with adequate ventilation and PPE.

**ALWAYS** wear recommended PPE.

**ALWAYS** follow tool manufacturers' safety recommendations.

**ALWAYS** be aware of others in your working location.

These control measures are consistent with industry recommendations for safe work practices. Assessments have proven, this combination will reduce the airborne concentration of RCS to levels below the exposure standard for workers .

AFS has documented sample safe work methods that can be accessed upon request as REFERENCE MATERIAL ONLY. This can be provided as an aid to builders and installers when risk assessing the work, and when developing their own documentation.

Consultation and training of workers in agreed safe methods will always be the builders and installers responsibility.

Safety Data Sheets are available upon request at [www.afsformwork.com.au](http://www.afsformwork.com.au)

For further information please visit SafeWork Australia <https://www.safeworkaustralia.gov.au/risk>



## Hand Tools Required

To safely and efficiently complete any task, it is essential to have the necessary tools available and to use the right tool for the right task.

A typical range of hand tools would include, but not be limited to the following:

- Tool bag/belts
- Cutting knife
- Handsaws
- Hammers - 'claw' and 'gympie'
- Pencils, marking pens, chalk
- Variety of pliers
- A range of squares
- String and chalk lines
- Tape Measures – eg. 8m and 3m
- Spirit levels – range of lengths eg. 600mm and 2000mm
- Plumb Bob
- Laser leveling equipment



## Access Tools

All scaffolding and safe access provisions are the responsibility of the builder and installers and are governed by the individual site conditions. It is essential that safe work practices and all associated standards are met/complied with. Installers would normally provide a range of platforms for personal access to the top of wall panels for the fitting of braces and checking of stringlines.

## Power Tools

There are a range of power tools required during installation of afs rediwall®. Wherever possible preference should be given to cordless tools.

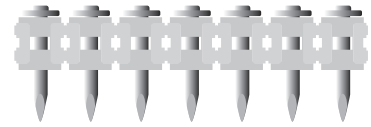
Note: All power tools require tagging as per site requirements.

Suggested power tools and applications include:

- A 'charge gun', such as the 'Hilti GX120' with appropriate fixings to pin the floor track to the concrete slab.



Hilti GX120



- A screw driver gun, with appropriate driver bits and screws for fixing rediwall® panels to track and adjacent panels or form deck. Also used to fixing bracing.



- A range of grinders and circular saws for cutting components and timbers for bracing.



## Concrete Pouring & Finishing Tools

- Concrete pouring and finishing tools, including:
  - At least one wheelbarrow, multiple shovels and a range of trowels.
  - Concrete vibrator: 38mm diameter maximum.

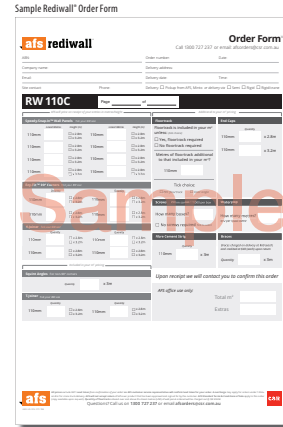


# The Construction Process

## Construction Process Overview

### 1 Place Order

Client completes rediwall® order form, listing lineal metres of each wall height required, and selecting any accessories required. The completed order form is submitted to [afsorders@csr.com.au](mailto:afsorders@csr.com.au) electronically or by fax on 1300 715 237.



Sample Rediwall® Order Form

**afs rediwall** Order Form™  
Call 1300 715 237 or email [afsorders@csr.com.au](mailto:afsorders@csr.com.au)

Company Name: \_\_\_\_\_  
 Street Address: \_\_\_\_\_  
 Suburb: \_\_\_\_\_  
 State: \_\_\_\_\_  
 Postcode: \_\_\_\_\_  
 Phone: \_\_\_\_\_  
 Email: \_\_\_\_\_

**RW 110C**

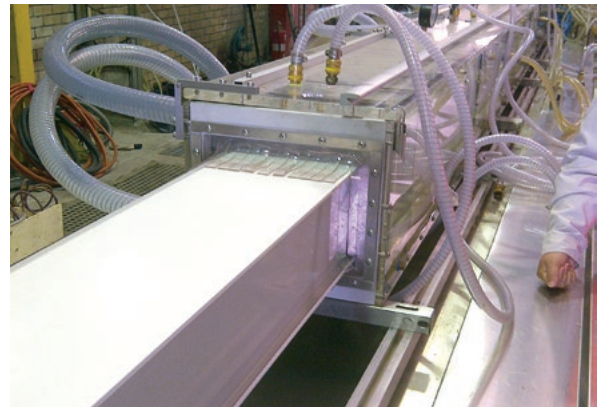
Line	Height (m)	Length (m)	Accessories	Notes
1	1.10	10.00	<input type="checkbox"/> Standard <input type="checkbox"/> No. 10 Mesh <input type="checkbox"/> No. 15 Mesh <input type="checkbox"/> No. 20 Mesh <input type="checkbox"/> No. 25 Mesh <input type="checkbox"/> No. 30 Mesh <input type="checkbox"/> No. 35 Mesh <input type="checkbox"/> No. 40 Mesh <input type="checkbox"/> No. 45 Mesh <input type="checkbox"/> No. 50 Mesh <input type="checkbox"/> No. 55 Mesh <input type="checkbox"/> No. 60 Mesh <input type="checkbox"/> No. 65 Mesh <input type="checkbox"/> No. 70 Mesh <input type="checkbox"/> No. 75 Mesh <input type="checkbox"/> No. 80 Mesh <input type="checkbox"/> No. 85 Mesh <input type="checkbox"/> No. 90 Mesh <input type="checkbox"/> No. 95 Mesh <input type="checkbox"/> No. 100 Mesh <input type="checkbox"/> No. 105 Mesh <input type="checkbox"/> No. 110 Mesh <input type="checkbox"/> No. 115 Mesh <input type="checkbox"/> No. 120 Mesh <input type="checkbox"/> No. 125 Mesh <input type="checkbox"/> No. 130 Mesh <input type="checkbox"/> No. 135 Mesh <input type="checkbox"/> No. 140 Mesh <input type="checkbox"/> No. 145 Mesh <input type="checkbox"/> No. 150 Mesh <input type="checkbox"/> No. 155 Mesh <input type="checkbox"/> No. 160 Mesh <input type="checkbox"/> No. 165 Mesh <input type="checkbox"/> No. 170 Mesh <input type="checkbox"/> No. 175 Mesh <input type="checkbox"/> No. 180 Mesh <input type="checkbox"/> No. 185 Mesh <input type="checkbox"/> No. 190 Mesh <input type="checkbox"/> No. 195 Mesh <input type="checkbox"/> No. 200 Mesh <input type="checkbox"/> No. 205 Mesh <input type="checkbox"/> No. 210 Mesh <input type="checkbox"/> No. 215 Mesh <input type="checkbox"/> No. 220 Mesh <input type="checkbox"/> No. 225 Mesh <input type="checkbox"/> No. 230 Mesh <input type="checkbox"/> No. 235 Mesh <input type="checkbox"/> No. 240 Mesh <input type="checkbox"/> No. 245 Mesh <input type="checkbox"/> No. 250 Mesh <input type="checkbox"/> No. 255 Mesh <input type="checkbox"/> No. 260 Mesh <input type="checkbox"/> No. 265 Mesh <input type="checkbox"/> No. 270 Mesh <input type="checkbox"/> No. 275 Mesh <input type="checkbox"/> No. 280 Mesh <input type="checkbox"/> No. 285 Mesh <input type="checkbox"/> No. 290 Mesh <input type="checkbox"/> No. 295 Mesh <input type="checkbox"/> No. 300 Mesh <input type="checkbox"/> No. 305 Mesh <input type="checkbox"/> No. 310 Mesh <input type="checkbox"/> No. 315 Mesh <input type="checkbox"/> No. 320 Mesh <input type="checkbox"/> No. 325 Mesh <input type="checkbox"/> No. 330 Mesh <input type="checkbox"/> No. 335 Mesh <input type="checkbox"/> No. 340 Mesh <input type="checkbox"/> No. 345 Mesh <input type="checkbox"/> No. 350 Mesh <input type="checkbox"/> No. 355 Mesh <input type="checkbox"/> No. 360 Mesh <input type="checkbox"/> No. 365 Mesh <input type="checkbox"/> No. 370 Mesh <input type="checkbox"/> No. 375 Mesh <input type="checkbox"/> No. 380 Mesh <input type="checkbox"/> No. 385 Mesh <input type="checkbox"/> No. 390 Mesh <input type="checkbox"/> No. 395 Mesh <input type="checkbox"/> No. 400 Mesh <input type="checkbox"/> No. 405 Mesh <input type="checkbox"/> No. 410 Mesh <input type="checkbox"/> No. 415 Mesh <input type="checkbox"/> No. 420 Mesh <input type="checkbox"/> No. 425 Mesh <input type="checkbox"/> No. 430 Mesh <input type="checkbox"/> No. 435 Mesh <input type="checkbox"/> No. 440 Mesh <input type="checkbox"/> No. 445 Mesh <input type="checkbox"/> No. 450 Mesh <input type="checkbox"/> No. 455 Mesh <input type="checkbox"/> No. 460 Mesh <input type="checkbox"/> No. 465 Mesh <input type="checkbox"/> No. 470 Mesh <input type="checkbox"/> No. 475 Mesh <input type="checkbox"/> No. 480 Mesh <input type="checkbox"/> No. 485 Mesh <input type="checkbox"/> No. 490 Mesh <input type="checkbox"/> No. 495 Mesh <input type="checkbox"/> No. 500 Mesh <input type="checkbox"/> No. 505 Mesh <input type="checkbox"/> No. 510 Mesh <input type="checkbox"/> No. 515 Mesh <input type="checkbox"/> No. 520 Mesh <input type="checkbox"/> No. 525 Mesh <input type="checkbox"/> No. 530 Mesh <input type="checkbox"/> No. 535 Mesh <input type="checkbox"/> No. 540 Mesh <input type="checkbox"/> No. 545 Mesh <input type="checkbox"/> No. 550 Mesh <input type="checkbox"/> No. 555 Mesh <input type="checkbox"/> No. 560 Mesh <input type="checkbox"/> No. 565 Mesh <input type="checkbox"/> No. 570 Mesh <input type="checkbox"/> No. 575 Mesh <input type="checkbox"/> No. 580 Mesh <input type="checkbox"/> No. 585 Mesh <input type="checkbox"/> No. 590 Mesh <input type="checkbox"/> No. 595 Mesh <input type="checkbox"/> No. 600 Mesh <input type="checkbox"/> No. 605 Mesh <input type="checkbox"/> No. 610 Mesh <input type="checkbox"/> No. 615 Mesh <input type="checkbox"/> No. 620 Mesh <input type="checkbox"/> No. 625 Mesh <input type="checkbox"/> No. 630 Mesh <input type="checkbox"/> No. 635 Mesh <input type="checkbox"/> No. 640 Mesh <input type="checkbox"/> No. 645 Mesh <input type="checkbox"/> No. 650 Mesh <input type="checkbox"/> No. 655 Mesh <input type="checkbox"/> No. 660 Mesh <input type="checkbox"/> No. 665 Mesh <input type="checkbox"/> No. 670 Mesh <input type="checkbox"/> No. 675 Mesh <input type="checkbox"/> No. 680 Mesh <input type="checkbox"/> No. 685 Mesh <input type="checkbox"/> No. 690 Mesh <input type="checkbox"/> No. 695 Mesh <input type="checkbox"/> No. 700 Mesh <input type="checkbox"/> No. 705 Mesh <input type="checkbox"/> No. 710 Mesh <input type="checkbox"/> No. 715 Mesh <input type="checkbox"/> No. 720 Mesh <input type="checkbox"/> No. 725 Mesh <input type="checkbox"/> No. 730 Mesh <input type="checkbox"/> No. 735 Mesh <input type="checkbox"/> No. 740 Mesh <input type="checkbox"/> No. 745 Mesh <input type="checkbox"/> No. 750 Mesh <input type="checkbox"/> No. 755 Mesh <input type="checkbox"/> No. 760 Mesh <input type="checkbox"/> No. 765 Mesh <input type="checkbox"/> No. 770 Mesh <input type="checkbox"/> No. 775 Mesh <input type="checkbox"/> No. 780 Mesh <input type="checkbox"/> No. 785 Mesh <input type="checkbox"/> No. 790 Mesh <input type="checkbox"/> No. 795 Mesh <input type="checkbox"/> No. 800 Mesh <input type="checkbox"/> No. 805 Mesh <input type="checkbox"/> No. 810 Mesh <input type="checkbox"/> No. 815 Mesh <input type="checkbox"/> No. 820 Mesh <input type="checkbox"/> No. 825 Mesh <input type="checkbox"/> No. 830 Mesh <input type="checkbox"/> No. 835 Mesh <input type="checkbox"/> No. 840 Mesh <input type="checkbox"/> No. 845 Mesh <input type="checkbox"/> No. 850 Mesh <input type="checkbox"/> No. 855 Mesh <input type="checkbox"/> No. 860 Mesh <input type="checkbox"/> No. 865 Mesh <input type="checkbox"/> No. 870 Mesh <input type="checkbox"/> No. 875 Mesh <input type="checkbox"/> No. 880 Mesh <input type="checkbox"/> No. 885 Mesh <input type="checkbox"/> No. 890 Mesh <input type="checkbox"/> No. 895 Mesh <input type="checkbox"/> No. 900 Mesh <input type="checkbox"/> No. 905 Mesh <input type="checkbox"/> No. 910 Mesh <input type="checkbox"/> No. 915 Mesh <input type="checkbox"/> No. 920 Mesh <input type="checkbox"/> No. 925 Mesh <input type="checkbox"/> No. 930 Mesh <input type="checkbox"/> No. 935 Mesh <input type="checkbox"/> No. 940 Mesh <input type="checkbox"/> No. 945 Mesh <input type="checkbox"/> No. 950 Mesh <input type="checkbox"/> No. 955 Mesh <input type="checkbox"/> No. 960 Mesh <input type="checkbox"/> No. 965 Mesh <input type="checkbox"/> No. 970 Mesh <input type="checkbox"/> No. 975 Mesh <input type="checkbox"/> No. 980 Mesh <input type="checkbox"/> No. 985 Mesh <input type="checkbox"/> No. 990 Mesh <input type="checkbox"/> No. 995 Mesh <input type="checkbox"/> No. 1000 Mesh 	

Open message and self contact you to confirm this order

afs rediwall

### 2 Production

AFS Rediwall® is manufactured in a state of the art factory with precision processes, manufacturing large volumes of quality product with short lead times.



### 3 Delivery

AFS's in house transportation and logistics team ensure that orders are shipped with care, arriving on site in a timely manner. Panels are shipped in packs of up to approximately 20 panels for RW110C, 20 for 156C, 20 for RW200C 24 for RW256S, 12 for RW275S and 12 for RW300S which are easily delivered to site and craned onto the floor slab or deck ready for placement.



## Construction Process Overview – Continued

### 4 Site Erection

Once set-out is complete, rediwall® floor track is installed, followed by the rediwall® panels being lifted into place by hand over the reinforcement starter bars. In some cases it is simply installed off the formwork deck of the next floor level. The panels are then braced using temporary bracing or fixed to the formwork deck.



### 5 Openings & Services

Smaller penetrations may be cut out once the formwork is installed and then capped off using the rediwall® End Cap. Doorway and window openings are formed using sill and lintel panels which can be supplied cut to size. Steel door frames can be installed to suit, or the openings can simply be capped off using the rediwall® End Cap.



### 6 Concrete Core Fill

The erected panels are then core filled with concrete using a mix design that is suitable for filling rediwall®, via a concrete pump. This is mostly done from the formed deck of the next slab or off a scaffold. Refer to concrete core fill procedure.



## Construction Process Overview – Continued

### 7 Finishing of Walls

Once the concrete core fill has gained strength and the walls are permanently braced by the floor or roof structure at the top of the walls, the temporary bracing is removed. The smooth, off white finish of the rediwall® panels is a suitable finish for many applications, refer to Volume 2 – "Wall Construction Detailing & Finishing Treatments Guide" for specific finishes for rediwall®.

Suitable paints or renders can be applied to the surface if required. Please contact Dulux Acratex, Rockcote or equivalent render suppliers, for their warranted specifications on the rediwall® substrate.



## Ordering

Ordering of rediwall® is a simple process requiring a rediwall® Order Form to be completed by the appropriate project personnel and submitted to the rediwall® production team.

A sample of the form is shown below. An interactive PDF form can be downloaded from [www.afsformwork.com.au/rediwall-order-form](http://www.afsformwork.com.au/rediwall-order-form) completed digitally and then emailed to – [afsorders@csr.com.au](mailto:afsorders@csr.com.au)

Alternatively a printable form can be downloaded at [www.afsformwork.com.au/rediwall-order-form](http://www.afsformwork.com.au/rediwall-order-form) completed and returned by email as above or faxed to 1300 715 237.

Lengths and heights of walls, derived from project construction drawings, are inserted into the rediwall® order form along with the quantities of accessories, such as: corners, end caps, floor track and H-sections.

To avoid delays during erection, it is recommended that additional rediwall® components are ordered. Additional quantities ordered should be based on project size, construction schedule, site proximity to the rediwall® supply facility, the potential for damage on site and the potential for site modifications.

On completion and submission of your order form you will receive a confirmation detailing exactly what has been entered into the production system. It is the customers responsibility to check this confirmation for accuracy and advise AFS of any errors immediately.

## How to order

- 1 Complete your company details, make sure to include the correct site contact details.
- 2 Complete your order number, delivery address and your requested delivery date.
- 3 Calculate the total linear metres required and the height of the panels you require. All accessories are supplied at stock length.
- 4 Add quantities of Squint Angles and T junctions if required.
- 5 Select your floor track option and quantity.
- 6 Enter the quantity of end caps, screws, braces and fibre cement strips you will need.
- 7 Submit your form and AFS will contact you for order confirmation before processing your order. Check the confirmation email from AFS for accuracy.

## Sample Rediwall® Order Form

**afs rediwall®** Order Form<sup>v4</sup>  
Call 1300 727 237 or email: [afsorders@csr.com.au](mailto:afsorders@csr.com.au)

ABN: \_\_\_\_\_ Order number: \_\_\_\_\_ Date: \_\_\_\_\_  
 Company name: \_\_\_\_\_ Delivery address: \_\_\_\_\_  
 Email: \_\_\_\_\_ Delivery date: \_\_\_\_\_ Time: \_\_\_\_\_  
 Site contact: \_\_\_\_\_ Phone: \_\_\_\_\_ Delivery  Pickup from AFS, Mirro, or delivery via  Semi  Rigid  Rigid/crane

**RW 110C** Page \_\_\_\_\_ of \_\_\_\_\_

Speedy-Snap-In™ Wall Panels <small>Enter your site size</small>				Floor Track		End Caps	
Linear Metres	Height m	Linear Metres	Height m	Floor track is included in your m <sup>2</sup> unless: (tick choice)		Quantity	Quantity
110mm	<input type="checkbox"/> 2.8m <input type="checkbox"/> 3.2m	110mm	<input type="checkbox"/> 2.8m <input type="checkbox"/> 3.2m	<input type="checkbox"/> Yes, floor track required <input type="checkbox"/> No floor track required		110mm	x 2.8m
110mm	<input type="checkbox"/> 2.8m <input type="checkbox"/> 3.2m	110mm	<input type="checkbox"/> 2.8m <input type="checkbox"/> 3.2m	Metres of floor track additional to that included in your m <sup>2</sup> :		110mm	x 3.2m
110mm	<input type="checkbox"/> 2.8m <input type="checkbox"/> 3.2m	110mm	<input type="checkbox"/> 2.8m <input type="checkbox"/> 3.2m	110mm		Screws: 25mm screws x 1,000 per box	

**Ezy-Fit™ 90° Corners** Tick your fit size

Quantity	<input type="checkbox"/> x 2.8m <input type="checkbox"/> x 3.2m	Quantity	<input type="checkbox"/> x 2.8m <input type="checkbox"/> x 3.2m
110mm	<input type="checkbox"/> x 2.8m <input type="checkbox"/> x 3.2m	110mm	<input type="checkbox"/> x 2.8m <input type="checkbox"/> x 3.2m
110mm	<input type="checkbox"/> x 2.8m <input type="checkbox"/> x 3.2m	110mm	<input type="checkbox"/> x 2.8m <input type="checkbox"/> x 3.2m

**H Joiners** Tick your fit size

Quantity	<input type="checkbox"/> x 2.8m <input type="checkbox"/> x 3.2m	Quantity	<input type="checkbox"/> x 2.8m <input type="checkbox"/> x 3.2m
110mm	<input type="checkbox"/> x 2.8m <input type="checkbox"/> x 3.2m	110mm	<input type="checkbox"/> x 2.8m <input type="checkbox"/> x 3.2m
110mm	<input type="checkbox"/> x 2.8m <input type="checkbox"/> x 3.2m	110mm	<input type="checkbox"/> x 2.8m <input type="checkbox"/> x 3.2m

**Squint Angles** For non-90° corners

Quantity \_\_\_\_\_ x 3m

**T Joiners**

110mm Quantity \_\_\_\_\_ x 3.2m

**Fibre Cement Strip**

110mm Quantity \_\_\_\_\_ x 3m

**Braces**

Quantity \_\_\_\_\_ x 3m

Upon receipt we will contact you to confirm this order

**AFS office use only:**

Total m<sup>2</sup> \_\_\_\_\_  
Extras \_\_\_\_\_

All prices include GST. Call time from completion of your order. An AFS customer service representative will contact you to confirm your order. A postage note will be added to orders under \$200 and for same track delivery. AFS will not accept returns of self-over product that has been approved and signed for by the customer. AFS Standard Terms & Conditions of Sale apply to this order (only available upon request). Quantity of materials ordered can vary where the total metres (m) of each panel ordered are the same (i.e. 2.8m).

Questions? Call us on 1300 727 237 or email [afsorders@csr.com.au](mailto:afsorders@csr.com.au)

# Construction and Installation Procedures

This Installation Procedure Section has been prepared by AFS Systems Pty Ltd to assist builders, engineers and architects to understand the construction procedures for loadbearing and retaining walls using rediwall®.

The Installation Section provides information on the following aspects of construction using rediwall®:

- Ordering
- Delivery
- Wall set-out
- Establishing installation starting point
- Floor track/floor angle installation
- Installation of 90° corner
- Screw fixing of panels to floor track
- Installation of corner reinforcement
- Horizontal reinforcement placement
- Vertical reinforcement placement
- End caps
- Curved walls
- Tanking
- Bracing

## Introduction

Although every effort has been made to ensure that all the information provided in this Installation manual is factual and consistent with good practice, AFS does not assume any liability for errors or oversights resulting from the use of information contained in this manual.

AFS highly recommends that the entire construction team are fully aware of the construction order and methods prior to commencement of wall installation.

Rediwall® consists of extruded rigid polymer components that serve as a permanent formwork for concrete walls in loadbearing and retaining applications. Popular uses include basement walls, retaining walls, retention tanks, foundation and landscaping walls, blade walls etc. The extruded components connect together to create formwork that remains in place after the concrete is poured and cured. This combination results in a strong concrete core wall with a low maintenance, finished wall surface.

Rediwall® systems are available as shown in TABLE C2.

**TABLE C2: Rediwall® Systems Overview**

Rediwall® SYSTEM	WALL THICKNESS	
	OVERALL (NOMINAL)	CONCRETE CORE
RW110C	110mm	105mm
RW156C	156mm	151mm
RW200C	200mm	195mm
RW256S	256mm	251mm
RW275S	275mm	270mm
RW300S	300mm	295mm

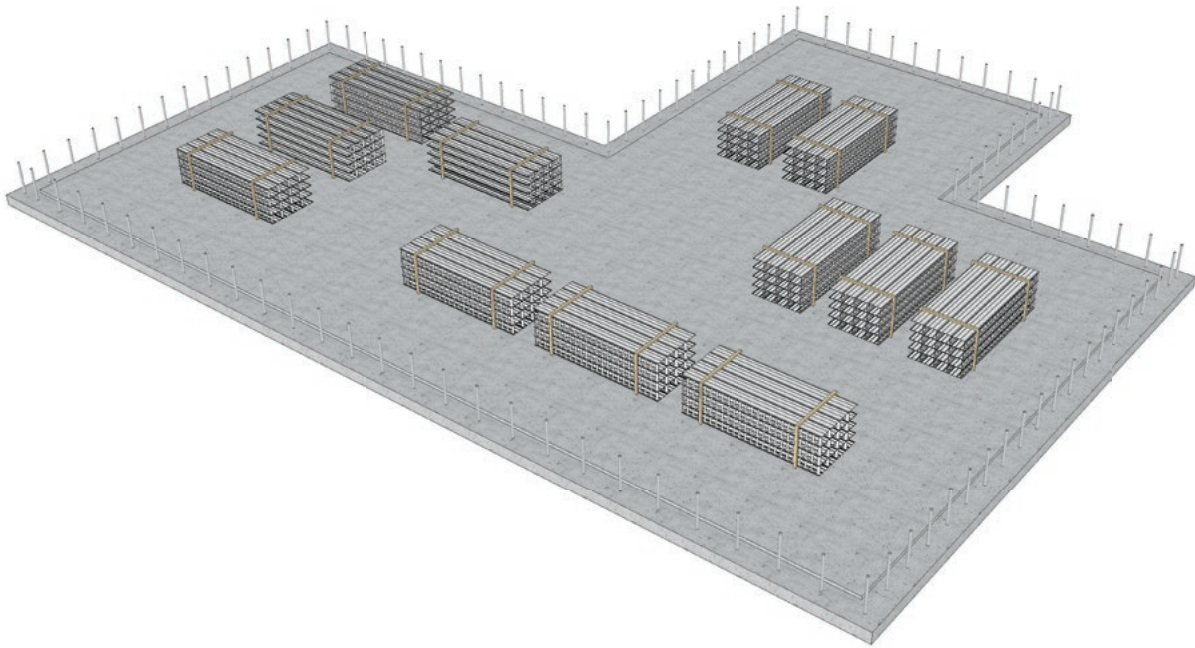
Note: Concrete core thickness is calculated including manufacturing tolerance.

## Component Delivery & Worksite Layout

Transport to site is typically arranged by AFS. Rediwall® packs are unloaded by a crane or forklift (provided by the builder), or crane truck (if requested at point of sale). Customers can also pick up with their own transport if prearranged. On delivery of the rediwall® components, place the packs strategically around the area where it is to be installed to minimise manual handling. Placement of packs should not interfere with locations for temporary wall bracing required during construction.

Rediwall® panels from 600mm to 7.5m can be supplied at the requested custom heights, suited to the specific project requirements and are listed on the delivery docket received with each delivery.

Using the pins/markings provided by the surveyor and the construction drawings, ensure the walls are clearly and accurately set-out. The builder should be responsible for this and should sign off on the set-out prior to commencement.





## Floor/Wall Junction – Floor Track Installation

### Introduction

Attention must be paid to the specified detailing of the horizontal slab/wall joint. Some projects have specific waterproofing requirements, such as installation of expandable Waterstop at the slab to wall junction.

**WARNING:** Rediwall® panels cannot be moved without demolition once filled with concrete.

### Base Restraint

1. A continuous horizontal member is required at the base of the wall on at least one side of the rediwall® panels to hold the members straight and to prevent movement during core filling. This member is typically PVC floor track, however a temporary 50 x 50mm steel angle (available as an accessory) can be installed on at least one side of the wall is acceptable.

2. The bottom restraining member may also act as formwork to cover any gaps at the underside of the wall due to irregularities in the surface of the footing or slab.

3. The bottom restraining member is to be fixed to the rediwall® components and anchored to the foundation as required by the Project Engineer's specifications.

4. Bottom restraining members fitted on one side of the wall are to be connected to the wall at 250mm maximum centres. For walls over 3.2m in height, the connection to the wall is to be at 150mm maximum centres.

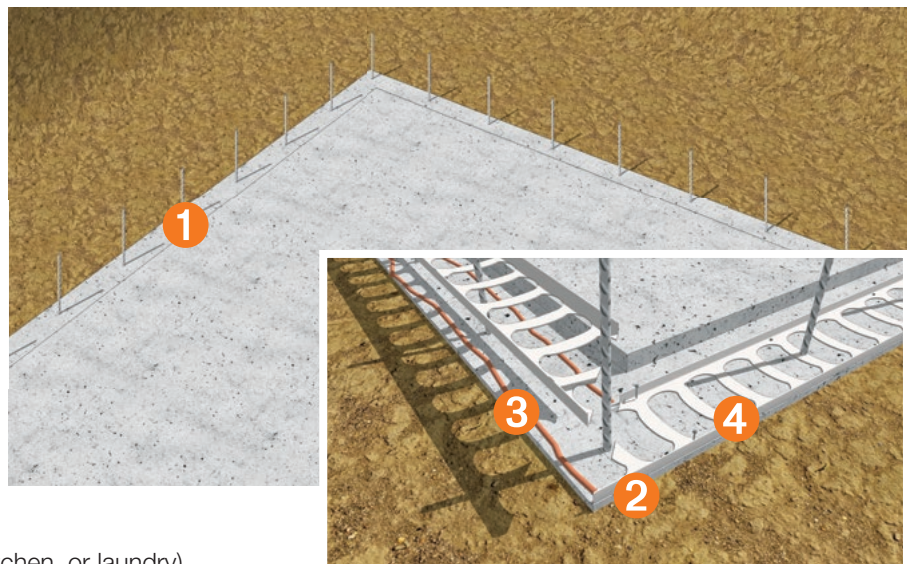
### Rediwall® PVC Floor Track

**1** Starter bars should be set into the concrete as per engineering specifications. Corner bars should be set in the middle of the rediwall® corner profile.

**2** Mitre the ends of the floor track so that the corner joins neatly.

**3** Two beads of polyurethane sealant or as per waterproofers details, must be applied in accordance with the manufacturer's instructions under the rediwall® floor track (one on each side of the track) on all external walls, and any portion of a wall that separates or adjoins a wet area (e.g. bathroom, kitchen, or laundry).

**4** Rediwall® floor track is then placed in the required location and fixed to the concrete footing or slab using a masonry fixing gun or drill and anchor masonry fixing system. Fix with fasteners each side of the track at 250mm centres for walls up to 3.2m height, or at 150mm maximum centres for walls over 3.2m height.

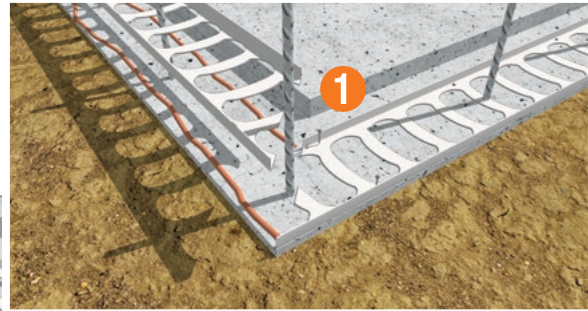
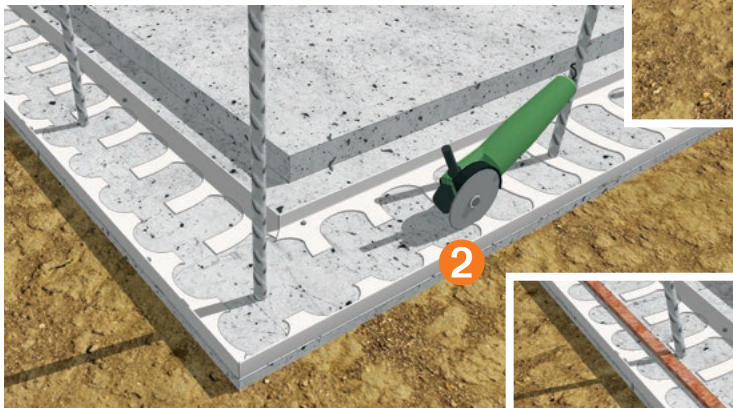


## Water Treatment of Cold Joints

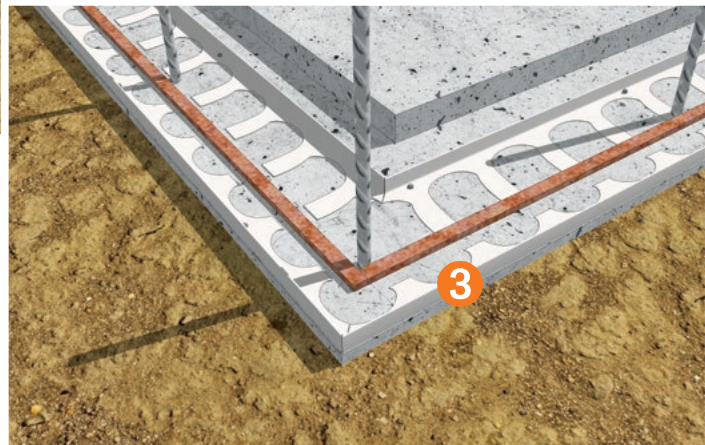
All waterproofing details are to be completed by the Project Builder and waterproofing contractor. When filled with concrete, rediwall® is a water resistant wall system. However specific areas requiring waterproofing details include horizontal concrete cold joints, and where water can track down along panel joints.

Any required waterproofing products must be installed strictly in accordance with the particular manufacturer's instructions.

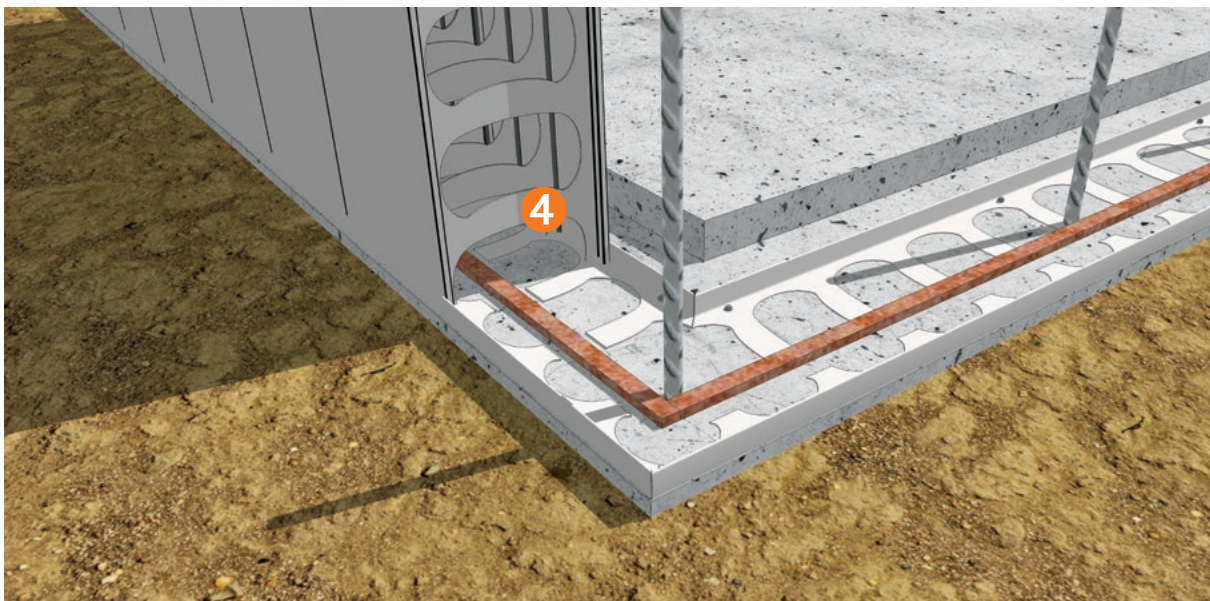
- 1 Install afs rediwall® floor track as per the standard installation instructions.
- 2 Use an angle grinder to cut the floor track and remove the centre web. To create a continuous clear path for the waterstop.



- 3 Install waterstop to manufacturer's instructions, maintaining a continuous seal. Refer to the project building designer for details on waterstop performance and installation requirements.



- 4 Install rediwall® panels over the water stop and fix to the floor track. Ensure that the panels DO NOT interfere with the waterstop.



## Control Joints

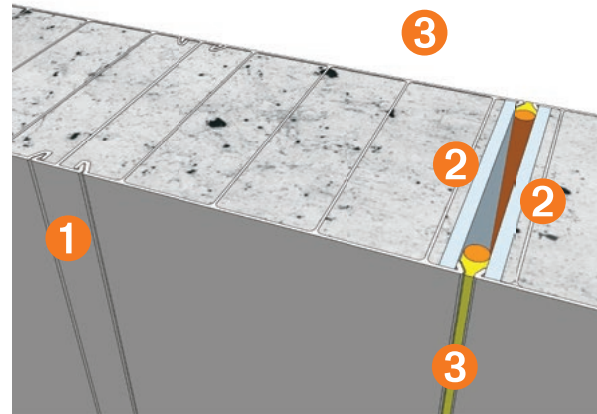
### Movement Joints and Crack Control Joints

Rediwall® when completed as a structural reinforced concrete wall effectively had control joints at each web so no additional crack control joints are necessary.

Full depth "movement joints", when required, should be installed at construction stage by the rediwall installer. Refer to engineer's details for control joint locations.

- 1** Install afs rediwall® Female to Female joiner if required to reverse the panel orientation, then install a full size rediwall panel. Ensure the female to female joiner is not at the end of the wall where the fibre cement strip is required to be used.
- 2** Slide Fibre Cement Strips down behind the female end of the panel. Provide bracing across the joint with horizontal top hat brace as per the standard bracing details.
- 3** Once core fill has cured install a backing rod and fill the gap with a fire rated sealant, as per the sealant manufacturer's requirements.

NOTE: Optional doweling across the movement joint for lateral restraint can be incorporated, if required by engineer.



## Starting Location

### Introduction

It is important to consider the wall layout and to establish the best starting point and sequence in which to proceed with installation. This will help to ensure that the working space is kept as clear as possible.

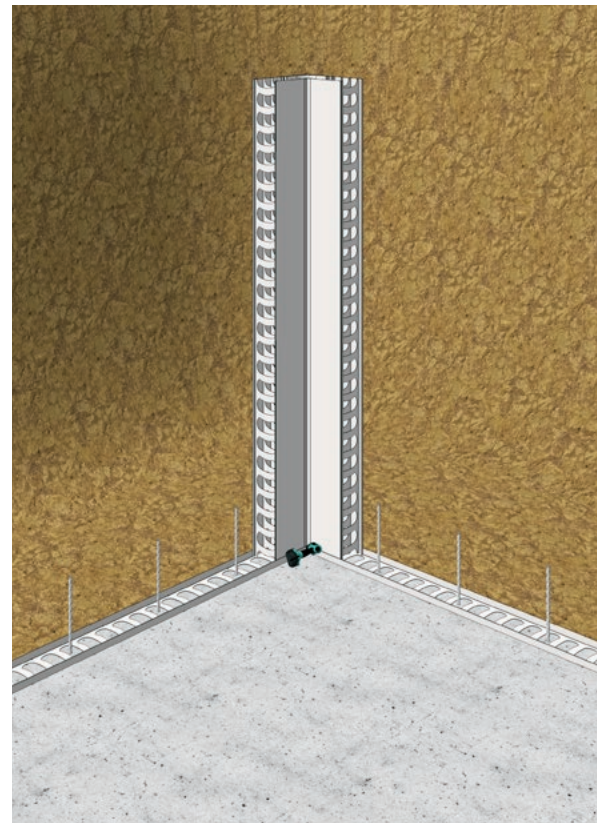
Consideration should also be given to the positioning of bracing structures and minimising restriction of movement around the site. Refer to the Bracing section for details.

In the case of internal walls that are to be core filled off a mobile scaffold, it is preferable to run the braces in a way that leaves one face of each wall clear.

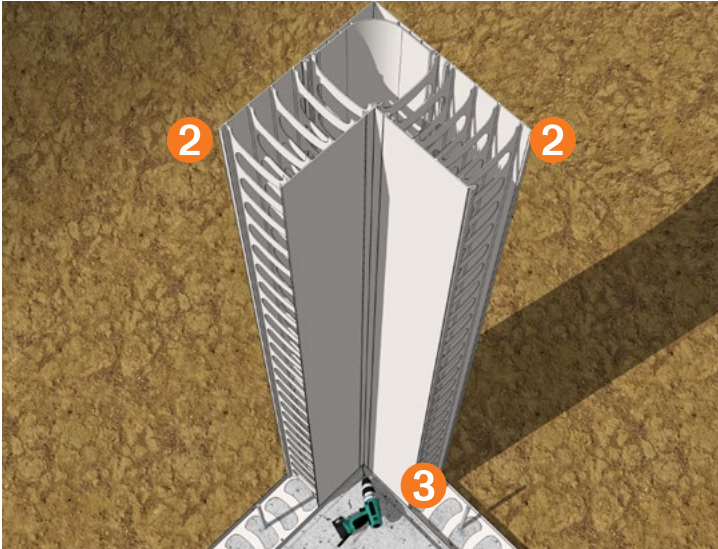
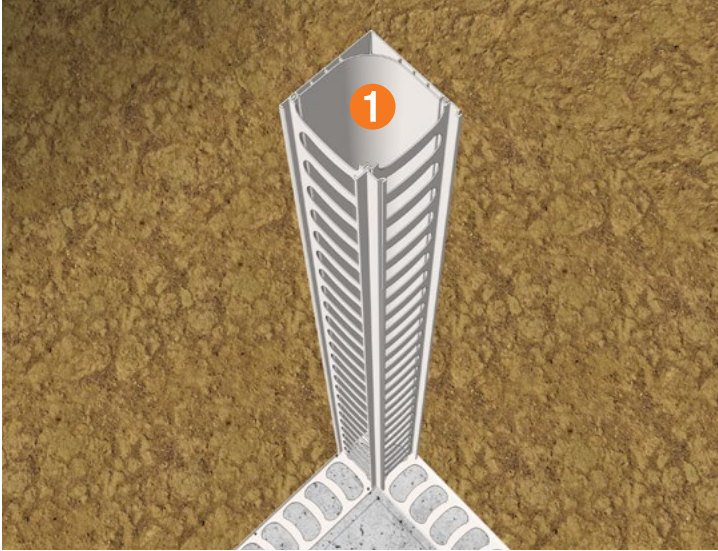
Once panel installation commences, consideration must be given to the timely installation of horizontal reinforcement.

#### WARNING

The individual components have a distinctive top and bottom orientation, which must be maintained in order for the web holes to be aligned. All panels are to be installed so that web holes are aligned horizontally.



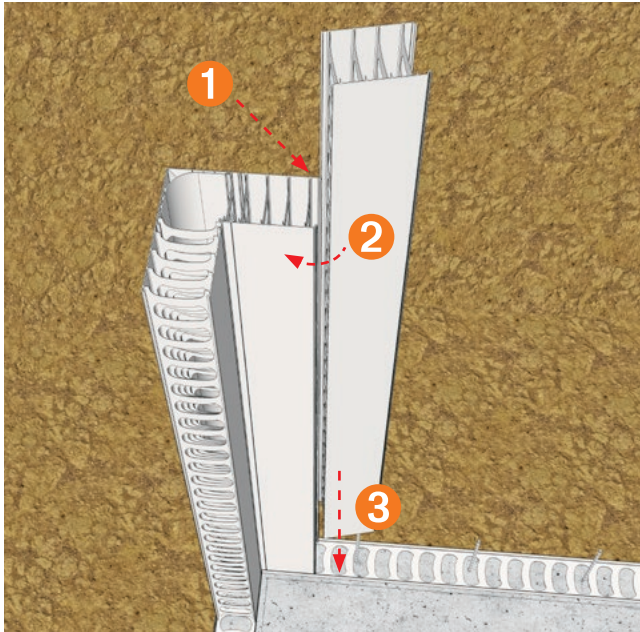
## Corner Construction



### Corner Construction

- 1** Stand the corner assembly up and position on the floor track.
- 2** Install a wall panel either side of the corner assembly.
- 3** Screw fix the panels and the corner assembly to the floor tack.

## Wall Construction



**1** From your chosen starting location, hook one side of the rediwall® panel together making sure that the panel is above the slab starter bars.

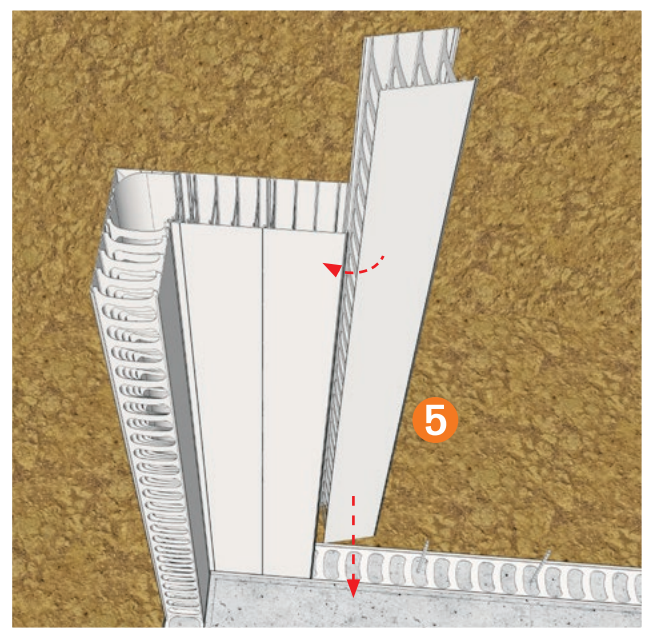
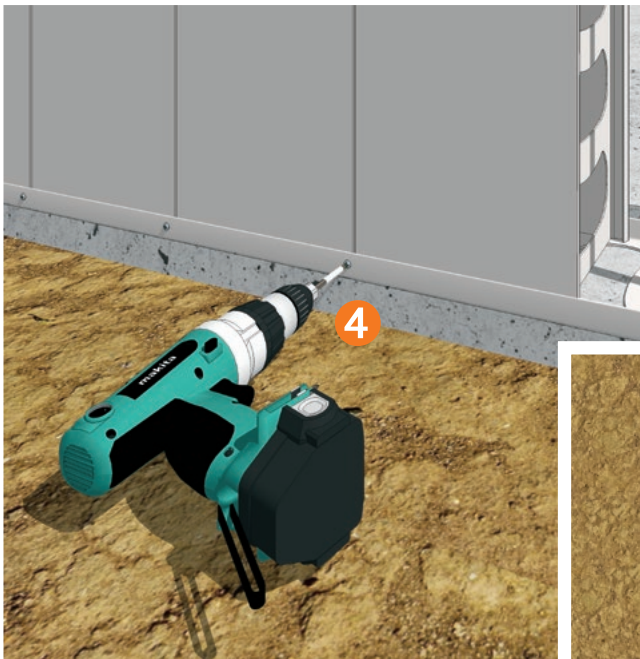
**2** Swing the rediwall® panel around and snap the opposite side into the preceding profile.

**3** Slide the assembly down over the starter bars.

**4** To avoid movement of the rediwall® panels during concrete core filling, install one screw each side of the panel through the floor track at the joint location. Ensure appropriate screw fixings are used to secure the panels.

Walls constructed using angle floor track should be fixed similarly.

**5** Continue to install panels and accessories as required to complete the wall.

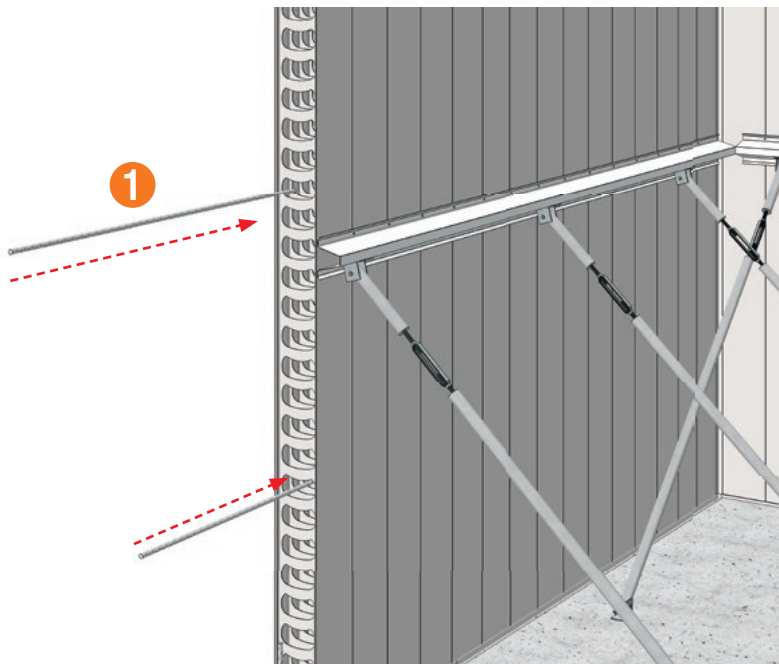


## Wall Reinforcement

Under AS3600-2018, Concrete Structures Standard, additional reinforcement requirements may be required to cater for earthquake and lateral loads as designed by the project structural engineer. This could result in specific reinforcement details to be adopted. It is important that the reinforcement be installed as per the project engineer's requirements. The following afs rediwall® reinforcement details and installation methodology has been developed to cater for the new AS3600-2018 requirements.

### Steel Reinforcement Installation – Single layer

#### Horizontal Reinforcement Installation – Single layer

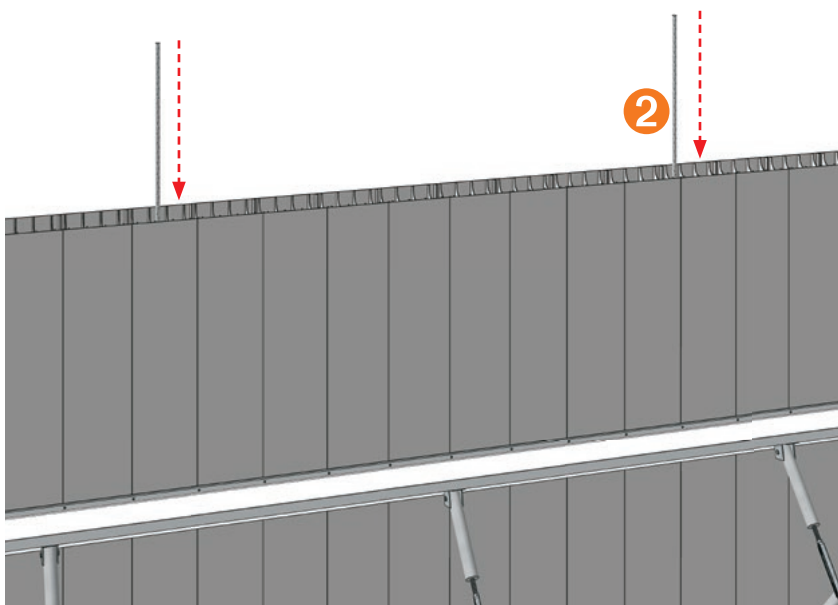


**1** Horizontal reinforcement bars should be placed into the wall when it reaches a suitable length. Generally the wall is slightly longer than the steel bar length. Slide the reinforcement bar through the rediwall® profile ensuring that the bar will maintain the correct overlap with the previous and subsequent bars where applicable.

Refer to the Project Engineer's specifications for correct overlap and spacing of reinforcing bars.

Note: When panels are installed, ensure all web holes are aligned horizontally. Damage to webs inside can result in bulges when wall is filled with concrete.

#### Vertical Reinforcement Installation – Single layer



**2** Vertical reinforcement bar should be placed vertically into the rediwall® profile, weaving between alternate horizontal bars. Ensure that the bar will maintain the correct overlap with the previous and subsequent bars where applicable.

Refer to the Project Engineer's specifications for correct overlap and spacing of reinforcing bars.

## Corner Reinforcement Installation With Ezy-fit™ Corner Cap

### Installation of Corner Reinforcing Bars – Single layer

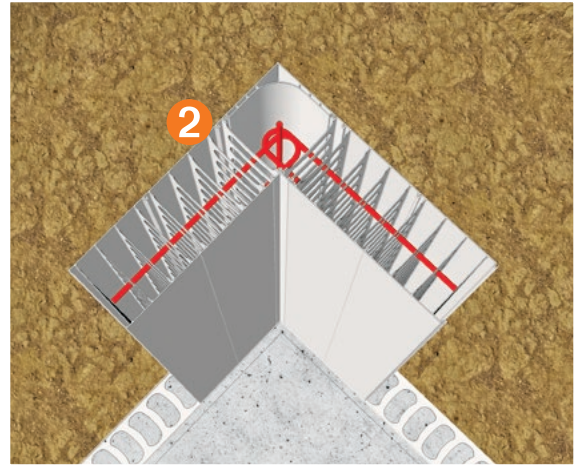
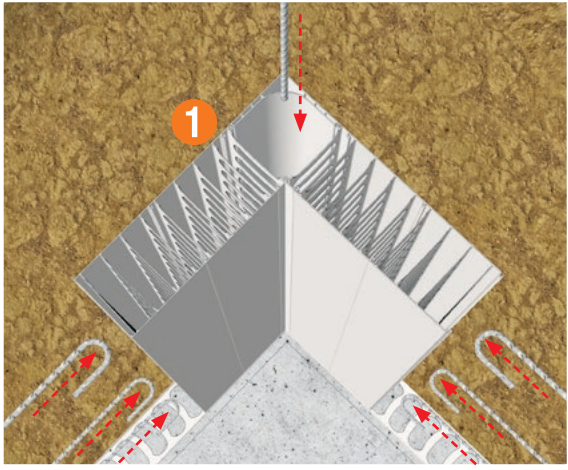
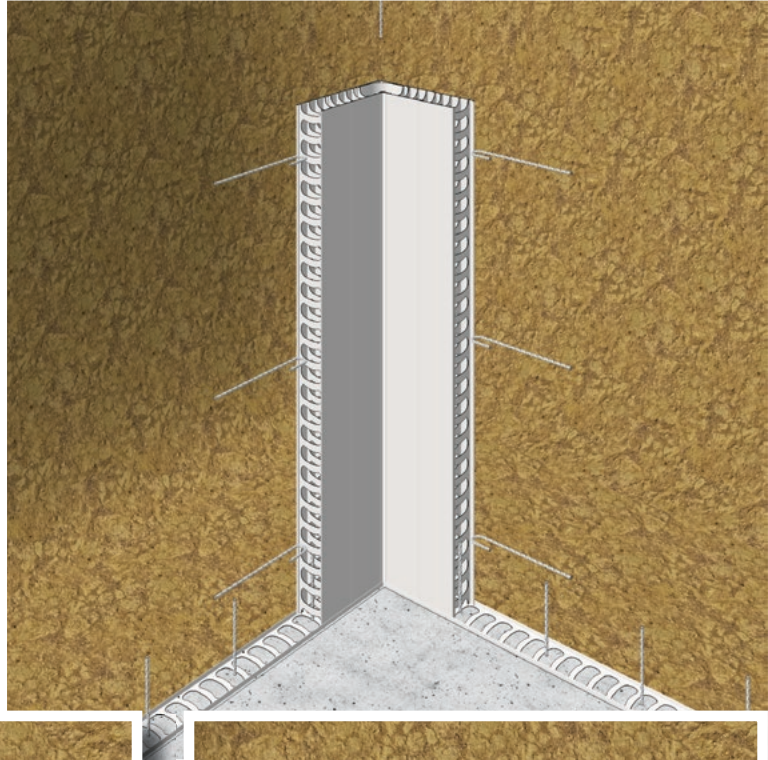
Care is to be taken when installing horizontal reinforcement in corner units as a 'hook bar' and 'dropper' system is recommended.

Reinforcement must be placed in accordance with the project Structural Engineer's specifications

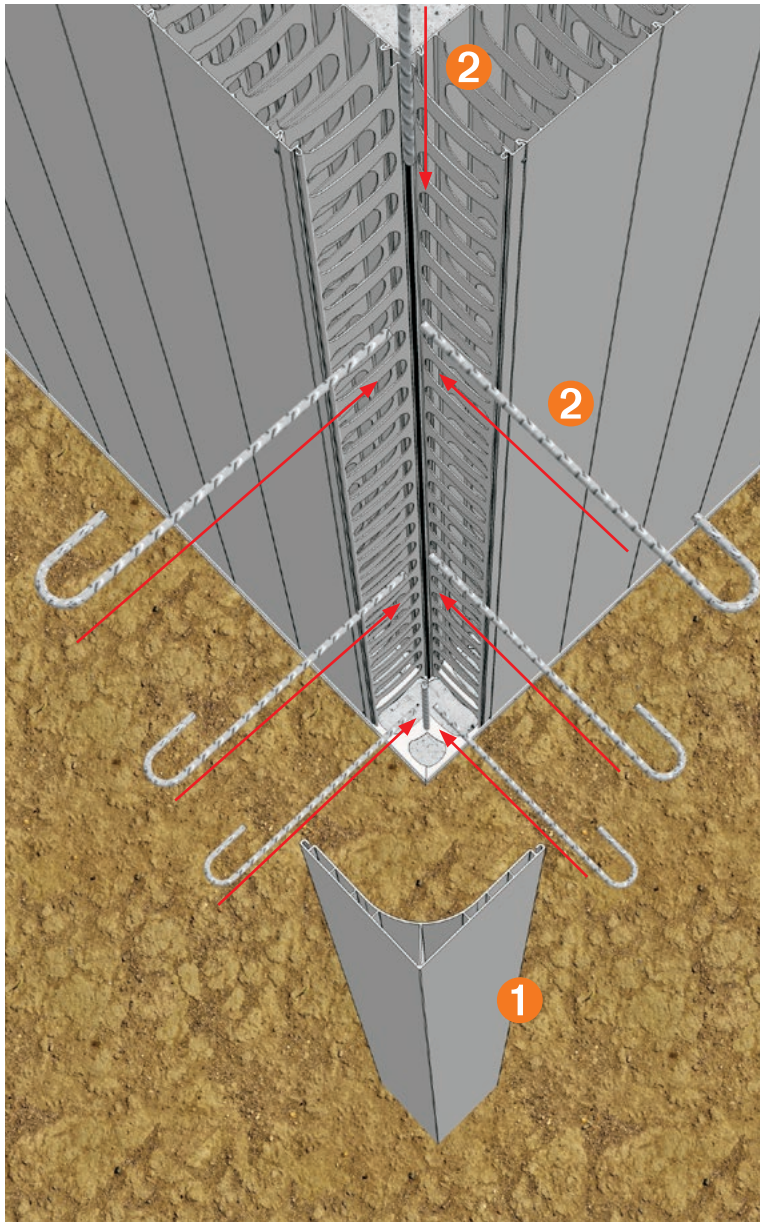
**1** Install two or three rediwall® panels on each side of the corner, then insert the hook bar into the wall and slide it into the corner. Repeat this from the other side of the corner to form a loop in the corner.

**2** Align the 'hook' on each hook bar in the corner and insert the vertical 'dropper bar' from the top of the corner panel and through the loops formed by the mating hook bars.

NOTE: Hook returns should be a minimum of 150mm to prevent the hook twisting in the cavity. (Panel bracing not shown for clarity.)



## Corner Reinforcement Installation With Ezy-fit™ Corner Cap



### Installation of Corner Reinforcing Bars – Single Layer (alternate method)

When site access permits, reinforcement bars may be installed from the external wall side.

Reinforcement must be placed in accordance with the project Structural Engineer's specifications.

- 1** Remove the corner cap by sliding up and off the wall.
- 2** Align the 'hook' on each hook bar in the corner and insert the vertical 'dropper bar' from the top of the corner panel and through the loops formed by the hook bars.

Replace the corner cap ready for core filling.

Note: For short wall lengths, horizontal reinforcing can also be installed through the open corner.



## Steel Reinforcement Installation – Double layer

### Installation of R10 guide bar

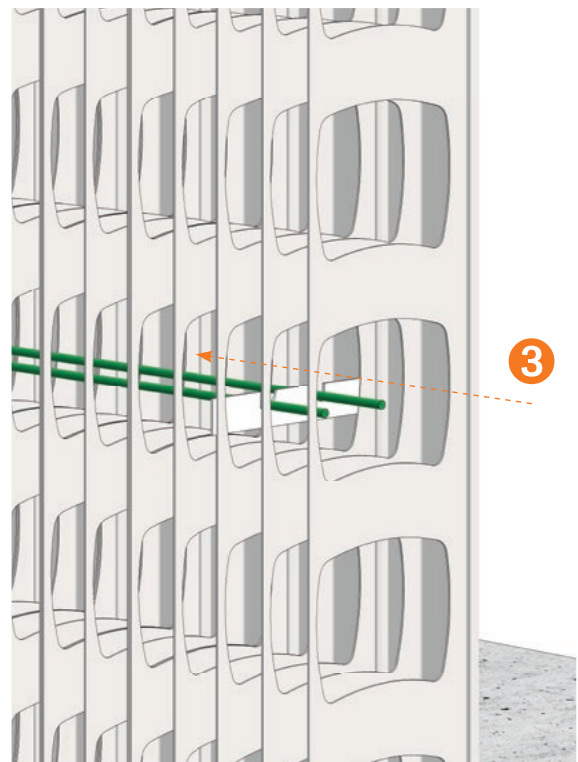
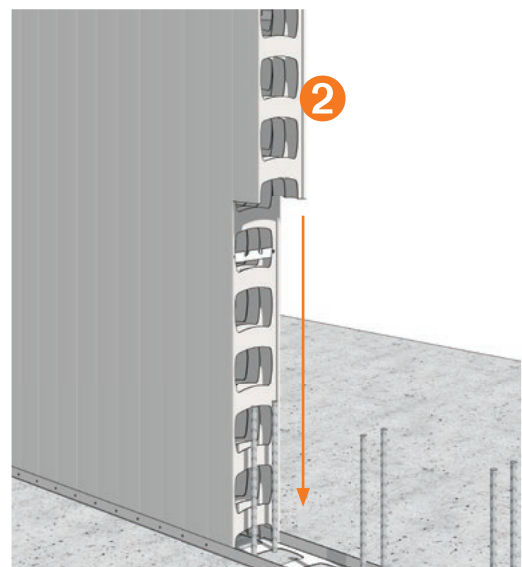
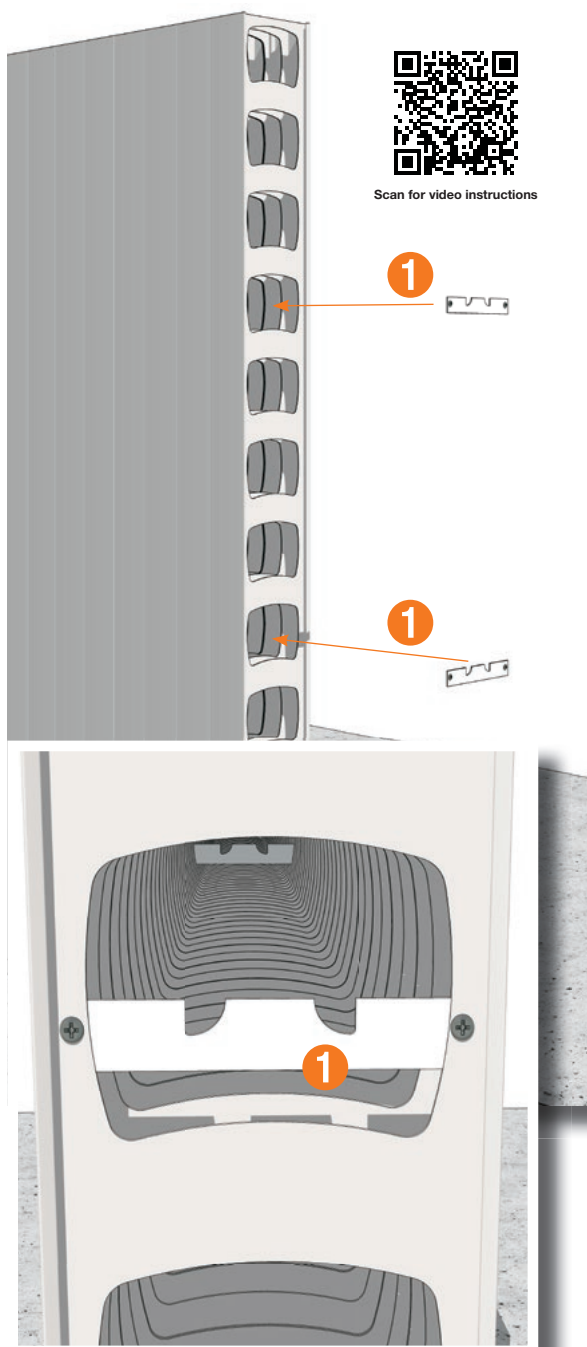
#### Use of Alignment Bars

R10 alignment bars can be used to assist with location and installation of the vertical reinforcement bars. These alignment bars shall be installed horizontally on both sides of the wall generally at one third the wall height and are installed progressively as the wall is built.

A precut locator can be used to ensure consistent spacing/location of the guide bars.

- 1 Once sufficient number of Rediwall® panels are fixed in place, (for e.g every eight panels). Fix the locator to the Rediwall® inside the web face at the desired locations of the alignment bars.
- 2 Slide an additional panel into place to allow guide bars clearance to overhang the locator clip.
- 3 Slide the alignment bar (R10) through the locator. Guide locators should be placed at approximately 2000mm centres (every eight panel) horizontally.

**Note:** These guide bars are **NOT** to be considered as part of the wall structural reinforcement.



## Steel Reinforcement Installation – Double layer

### Installation of Straight horizontal reinforcing bars – Double Layer

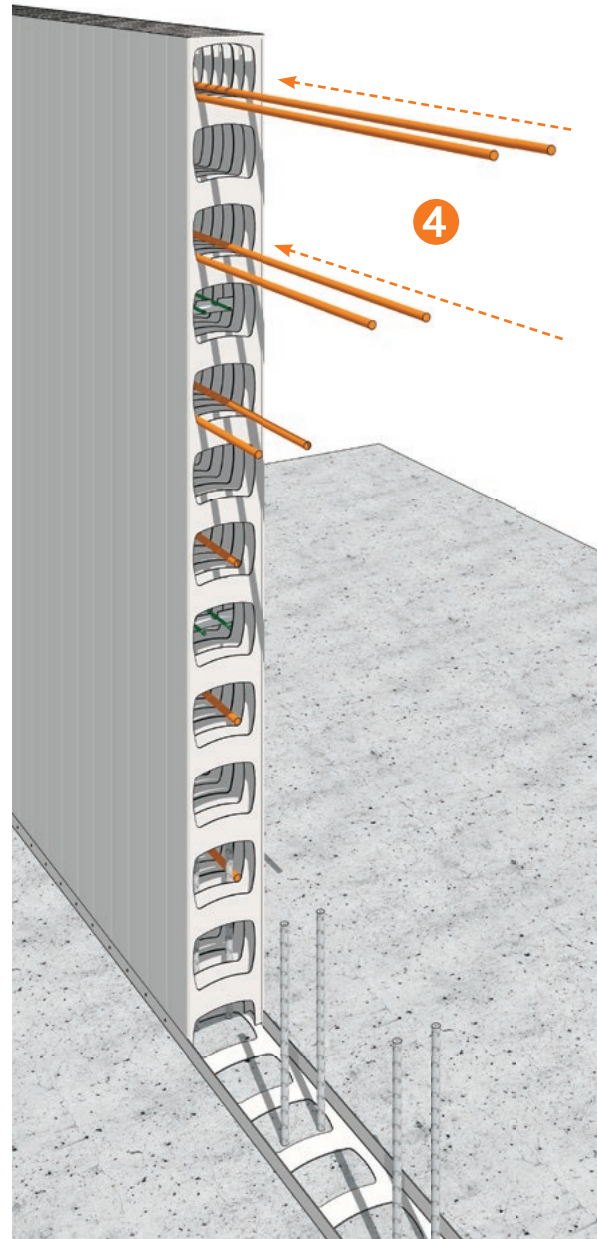
Horizontal reinforcing shall be installed as the panels are erected, in strict accordance a the project engineer's design.

- 4 Once a sufficient number of rediwall® panels are fixed in place, slide the horizontal reinforcement bars through the holes. The shape of the cut hole will help hold the bars in the correct position.

It is important that reinforcement is installed in a uniform manner and the correct spacing is maintained

### Reinforcing placement in short run lengths of wall

In short run lengths of wall, the reinforcement needs to be cut to the appropriate length and, in the case of a blade wall, placed prior to the end of the wall being capped.



## Steel Reinforcement Installation – Double layer

### Installation of Vertical Reinforcing Bars – Double Layer

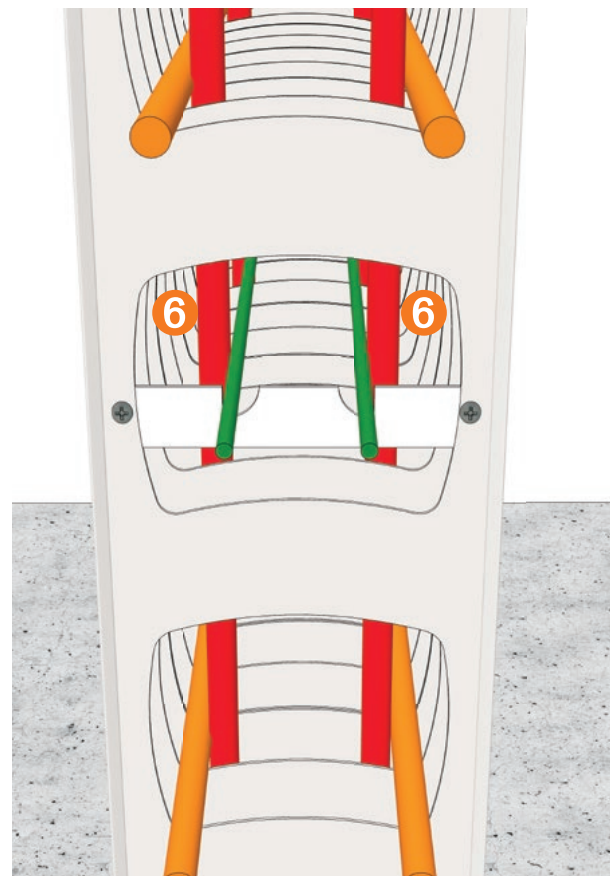
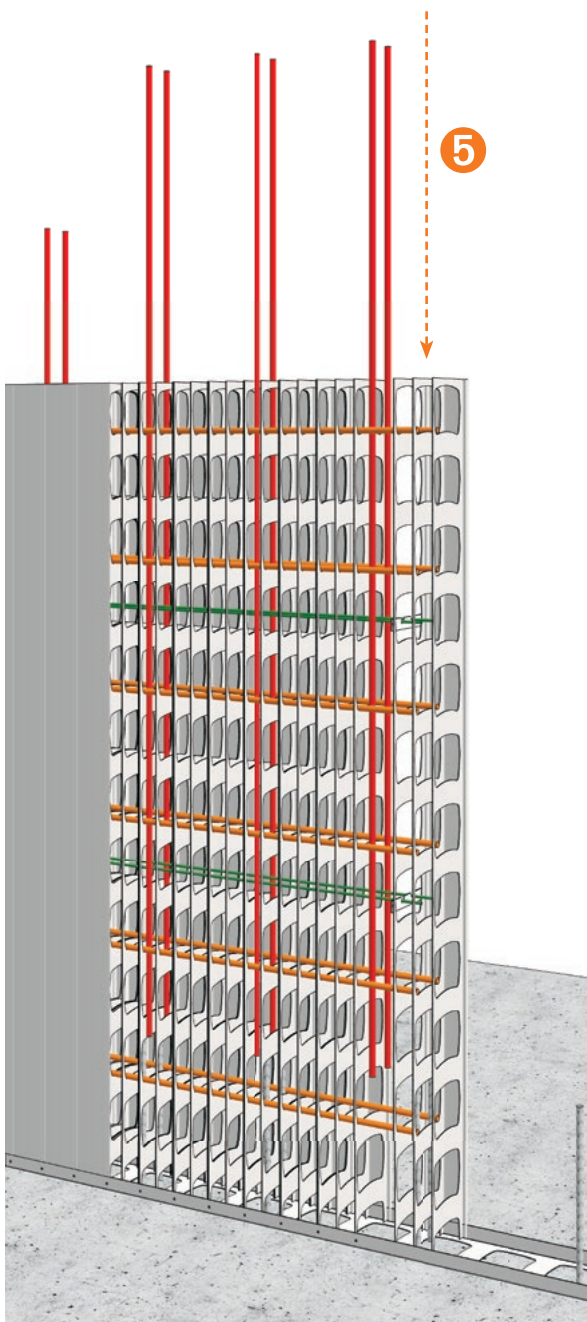
If a normal formwork deck is being erected, once the deck is in and it is safe to do so, the vertical reinforcing bars are lifted onto the deck.

- 5** The vertical reinforcement bars are then lowered into the Rediwall® panel, at the correct locations.
- 6** Ensure that the vertical bars are on the internal side horizontal bars, and on the outer side of the alignment bars.

A small 20mm bend at the base of the vertical bar can be used to "joggle" the bar past the horizontal bars.

The offset makes it easy when lowering the vertical reinforcing bars into the wall to weave it in between the locator bars and the outer horizontal reinforcing bars.

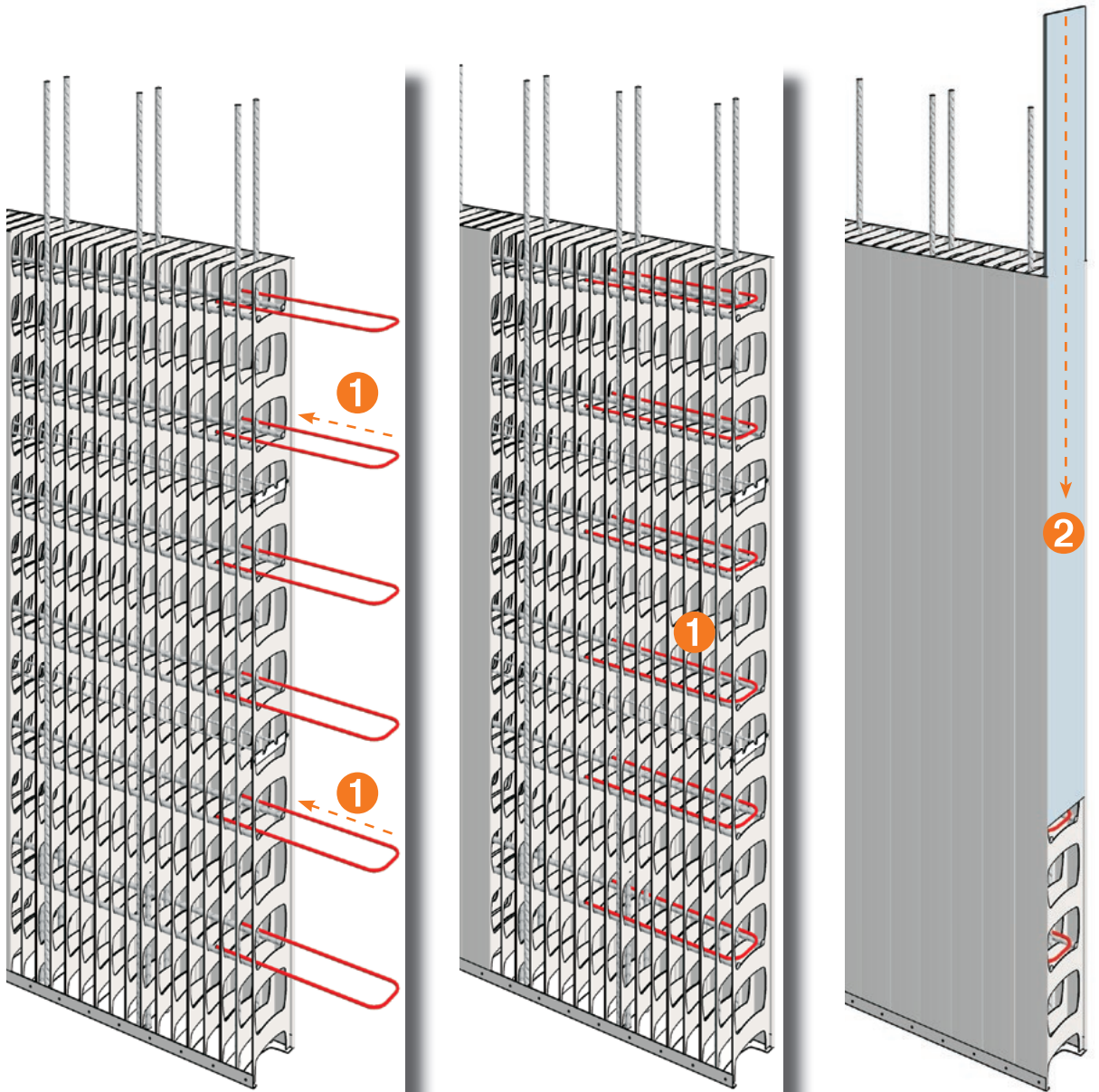
A mark on the vertical joggle bars can facilitate locating the alignment bars so that the joggle bars can be paused just above the horizontal locator bar can speed up reinforcement installation.



## Steel Reinforcement Installation – Double layer

### U bar Reinforcement Installation

- 1 Install U bars as per the project specification.
- 2 Close off end caps as per details.



## Steel Reinforcement Installation – Double Layer

### Vertical Reinforcement Tie Off

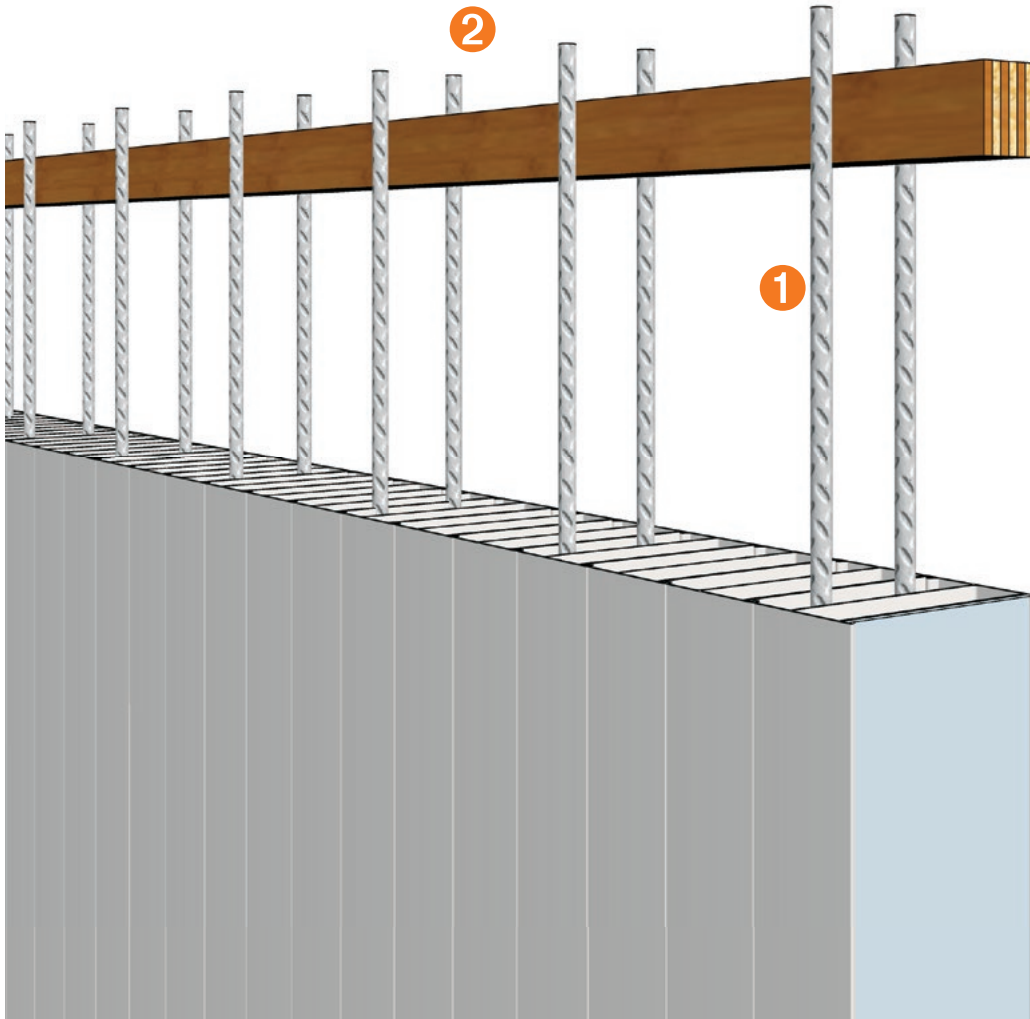
To positively locate and secure the top of the vertical bars, the following method can be used.

- 1 When the vertical bars have been placed in position, tie the top of each vertical bar to the top horizontal reinforcement as required to ensure bars remain in correct position during concrete pour

Note: Ensure that the bottom of the vertical reinforcement bars are straight and in the correct position

- 2 The top of the vertical bars can also be spaced and locked in correct position by using and LVL timber or similar.

Note: Where the walls are going to continue through on the next level, the vertical bars are left longer by the amount required to clear the slab and act as the starter bar for the wall over. Ensure that the bar will maintain the correct overlap with the previous and subsequent bars where applicable. Refer to the Project Engineer's specifications for correct overlap and spacing of reinforcing bars. On projects where a pre-cast slab system such as Ultra-floor is being used, and it is necessary to pour the afs rediwall® prior to the 'deck' going in, it is necessary to place the vertical reinforcement from either a mobile or temporary scaffold.



## Base Track installation

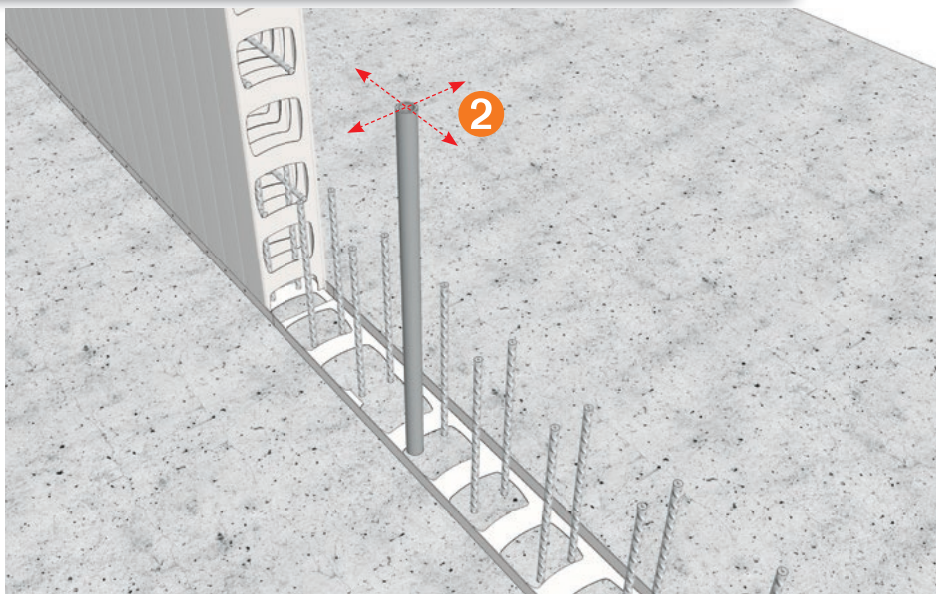
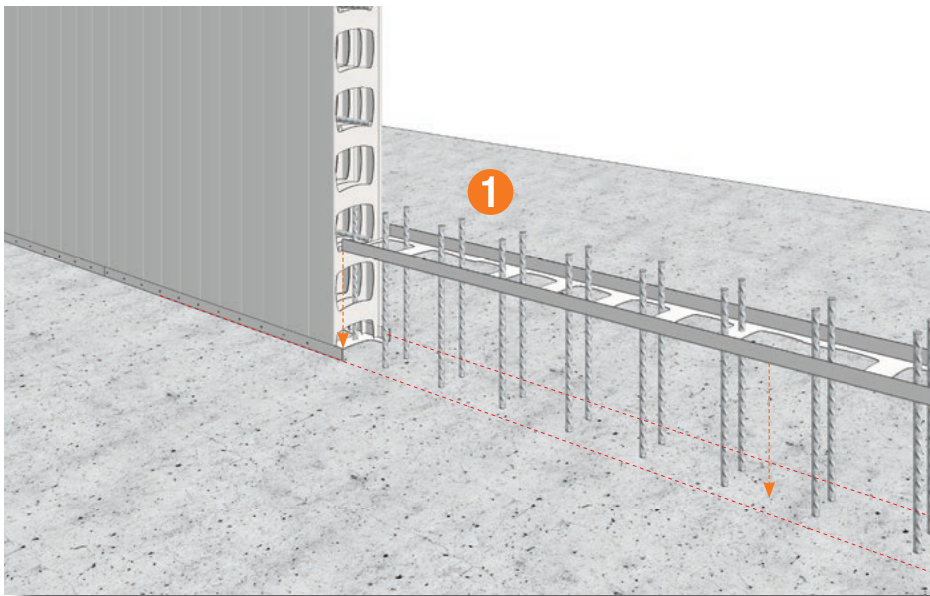
### Installation of Horizontal Hooked Bars and Ligatures in Rediwall® Panels

The following procedures outlines the installation of horizontal hooked bars, ligatures in afs rediwall® panels.

**1** Mark the location of the wall and carefully position the floor track over the starter bars and fix it to the floor.

**2** Confirm the location of all starter bars and adjust their vertical alignment so that the required ligature reinforcement can be placed easily over the starter bars.

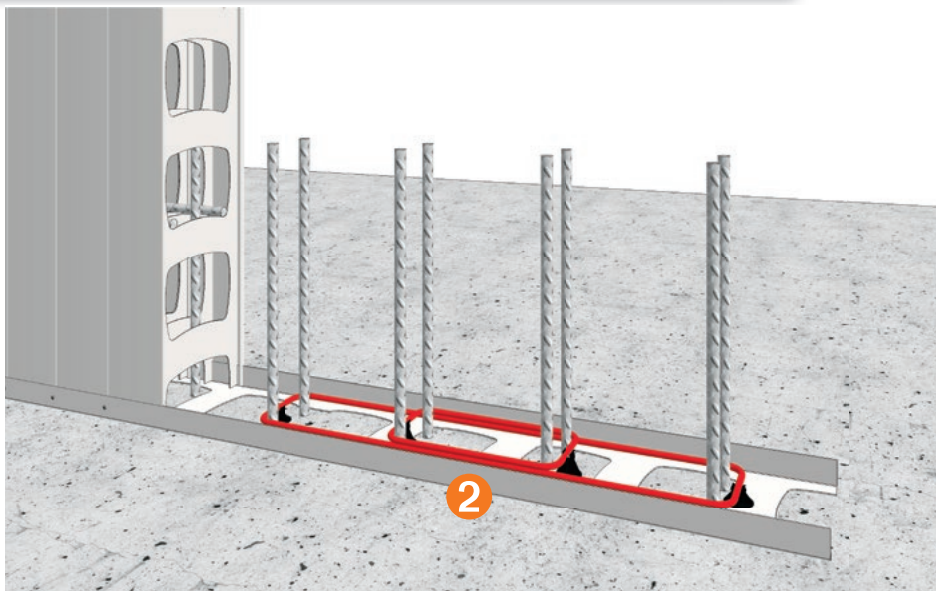
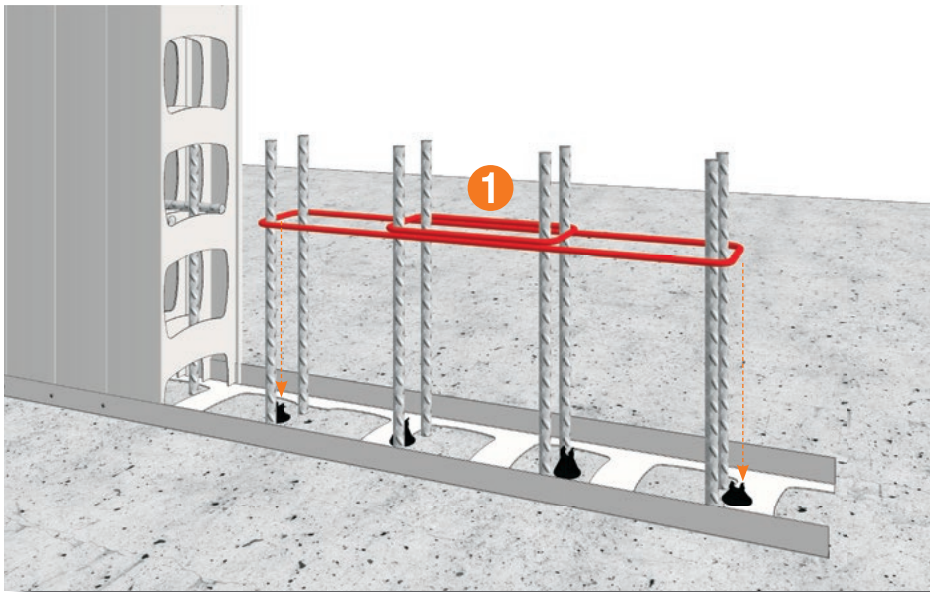
A steel tube can be used to adjust the alignment of the starter bars where required.



## Steel Reinforcement Installation – Lowest Ligature

Installation of lowest Ligatures over starter bars  
Consult the project engineer drawings regarding the correct location of ligatures.

- 1** Carefully position and lower the ligatures around the starter bars.
- 2** Install the lowest ligatures over the starter bars and place them on the bar chairs. The lowest ligatures should be placed/chaired to a maximum of 50mm above the slab top surface.



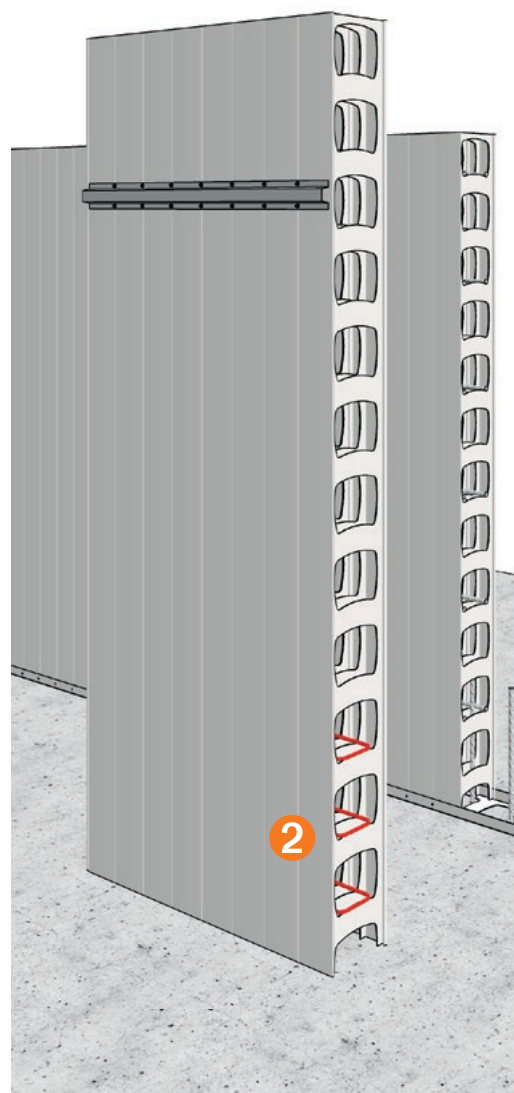
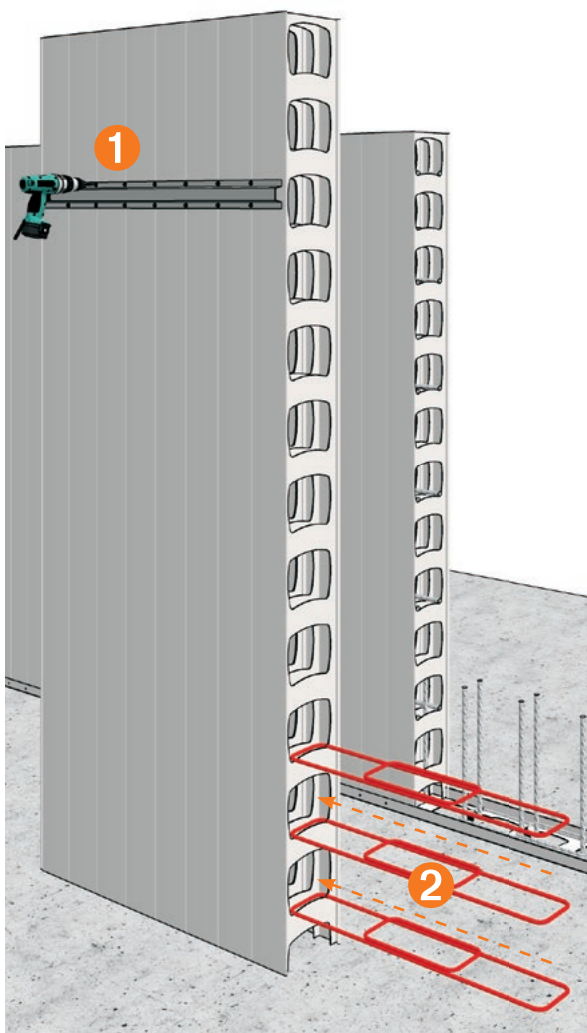
## Steel Reinforcement Installation – Subsequent Ligatures

### Installation of Subsequent Ligatures in the AFS Rediwall® Over Starter Bars

Consult with the project engineers drawings regarding the required locations of the reinforcement ligatures.

Ligatures required over starter bars are to be positioned into the afs rediwall® panels in their correct locations prior to the installation of panels over starter bars.

- 1 Preassemble the rediwall panels (to at least the overall length of the ligature group) fix together with a whaler through the joints of the panels.
- 2 Ensure that the Rediwall® panel assembly suits the ligature sizes. Where required, ligatures can be tied in groups to assist with installation. Slide the ligature assembly into the panel to the correct location.

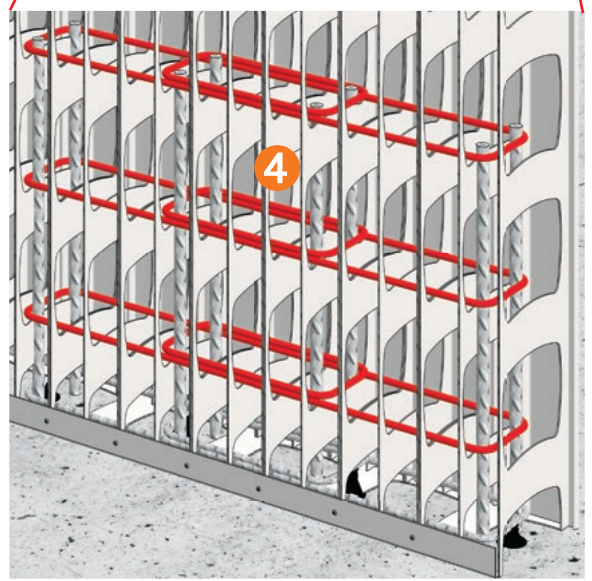
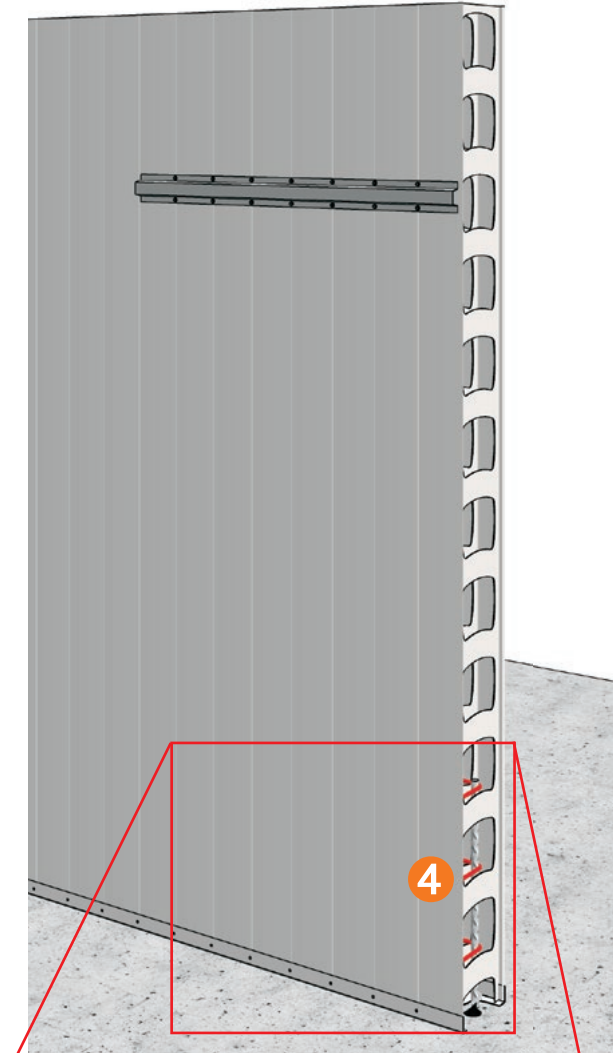
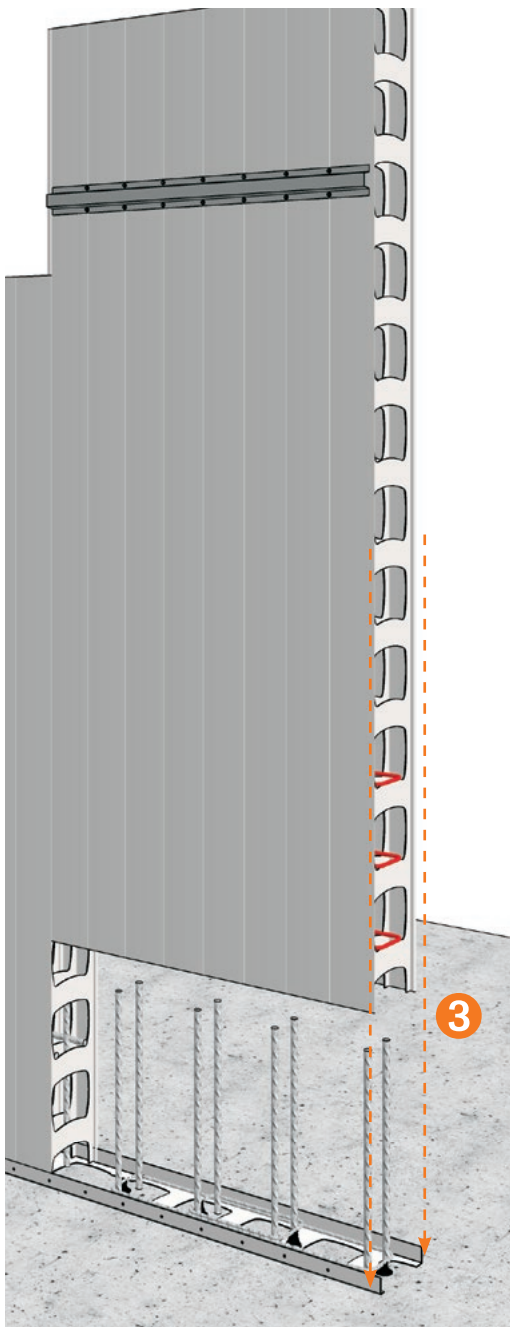




## Steel Reinforcement Installation – Subsequent Ligatures (continued)

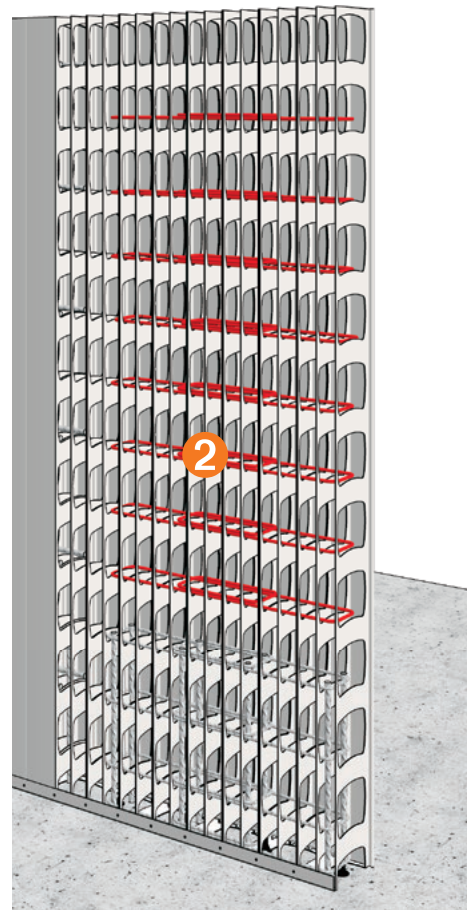
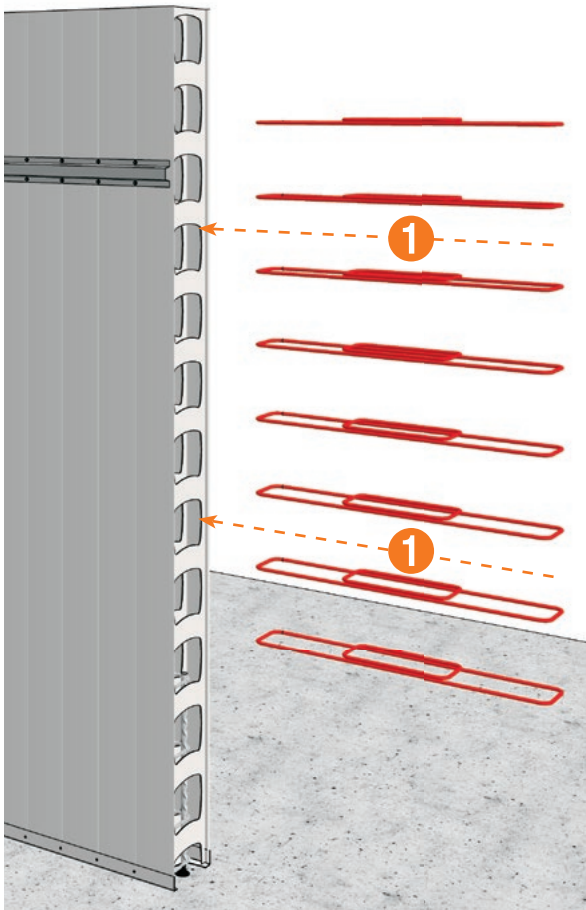
- 3 Lift the panel assembly over the starter bars and slowly lower in place. Ensure that ALL starter bars and ligatures engage correctly. (i.e starter bars are located inside the ligatures as per the engineer's details.) AFS approved N16 lifting bars (if lifting via crane) can be used in accordance with the AFS lifting bar procedure (not drawn).
- 4 Check that the pre-installed ligatures inside the panel have not moved out of alignment and adjust if required.

Brace and secure the Rediwall® panels, as per the standard bracing procedure.



## Installation of Subsequent Ligatures in Panels Above Starter Bars

- 1 Install subsequent ligatures for the remainder of the panel as per the project engineering drawings.
- 2 Ensure that all ligatures are correctly located to allow vertical bars installation.



## Steel Reinforcement Installation – Hook Bars

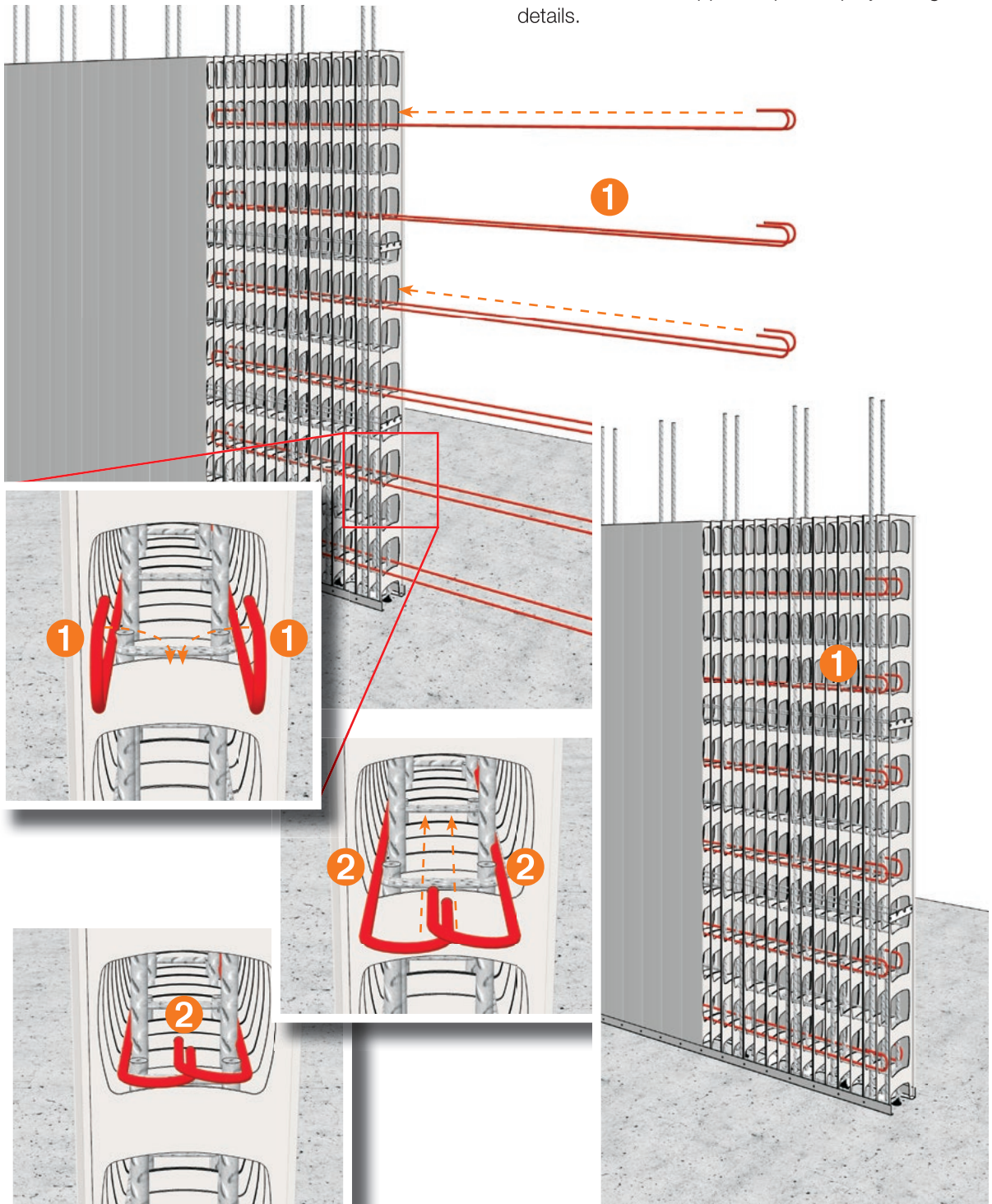
### Installation of Horizontal Reinforcement with Hooks

**1** Slide the horizontal reinforcement bar into the Rediwall® panels ensuring that the hook bar face is in a vertical position and is placed on the outside of all the starter bars.

**2** When the horizontal bars are slid in their correct final location, rotate the hook so that the hook rests horizontally on the webs.

Repeat for both sides of the wall, turning the hook inwards and resting on the webs.

Install horizontal hook bars progressively above the starter bars as the wall is built. Note that horizontal hook bars shall be lapped as per the project engineer's details.

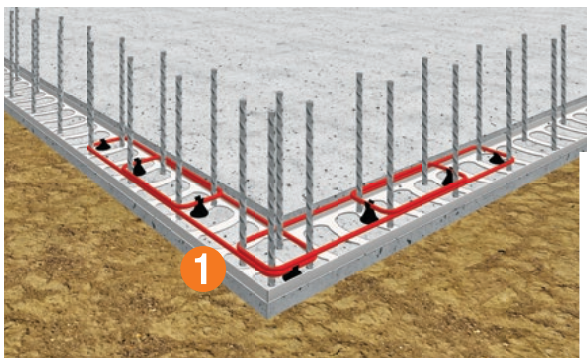
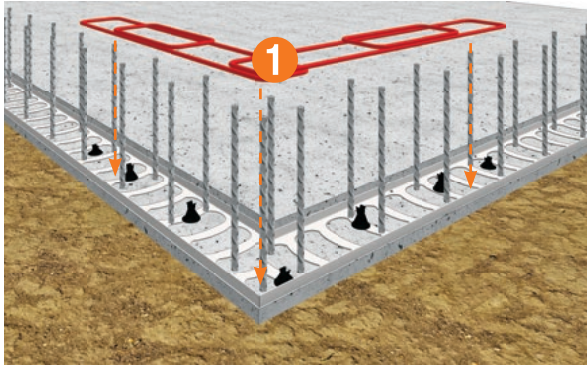


## Corner Installation – RW200C, Hooked U-Bars or Closed Ligatures

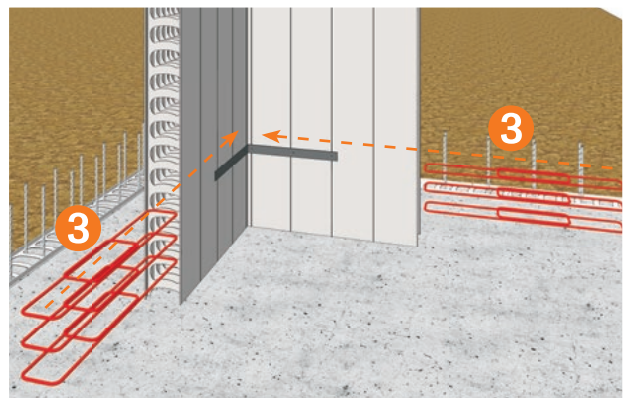
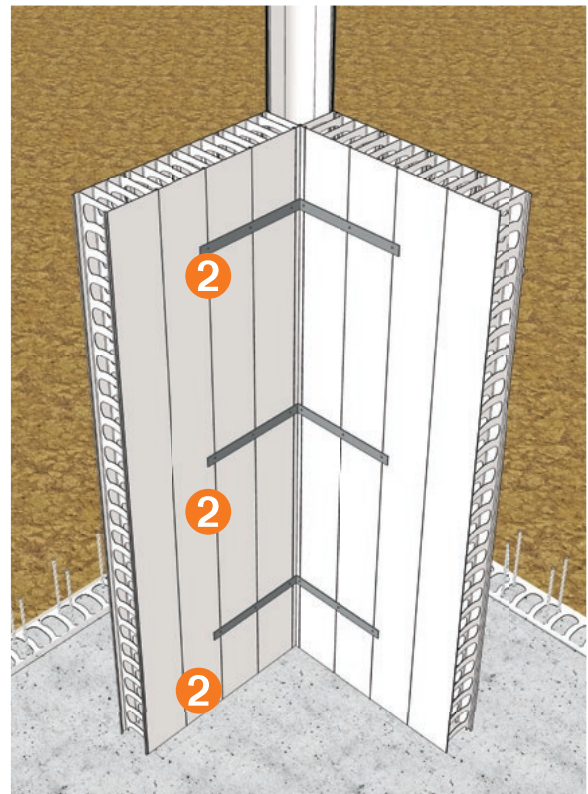
### Site Assembled Corner Panels

**1** Preassemble ligature/ hook bar reinforcement configuration and tie together (where required). Check reinforcement assembly against starter bar placement to ensure that the starter bars will fit in. Fix floor track and install the first layer of ligature/hookbar. The lowest ligatures should be placed/chaired to a maximum of 50mm above the slab top surface (where required).

**2** Assemble the corner with enough wall panels on each side so that it can fully accept the ligatures. Screw fix corner the corner brace (400mm x 400mm) to the inside of the corner assembly (top, middle and bottom of panels) this will secure the assembly. The corner cap may be fixed in an open position so that there is access to the lower ligatures.

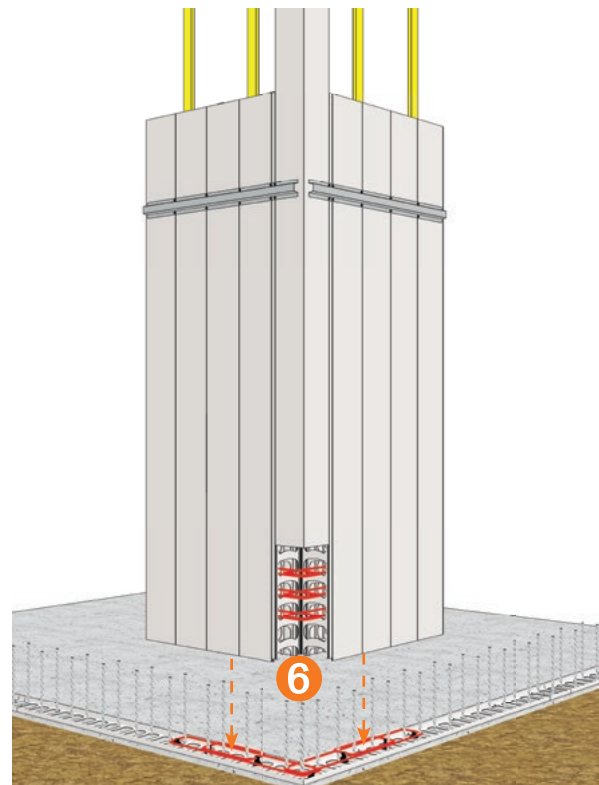
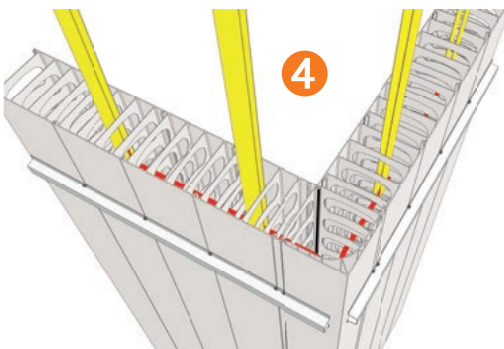
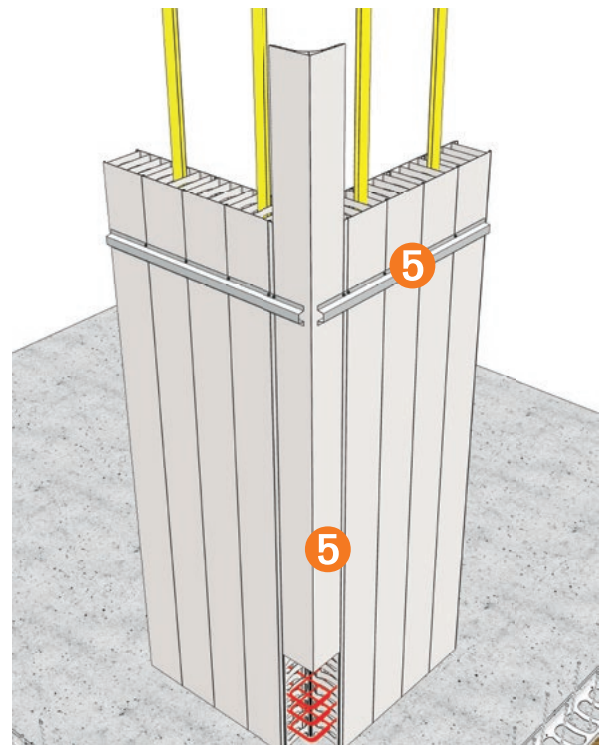
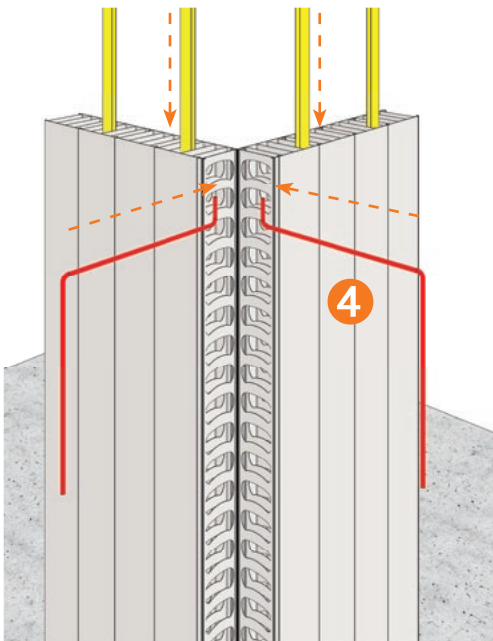


**3** Install the ligatures up to the level of the starter bars into the corner assembly. Locating as close as possible to their final position.



## Corner Installation –RW200C, Hooked U-Bars or Closed Ligatures

- 4 Insert two AFS approved N16 lifting bars (if lifting via crane) in accordance with AFS lifting bar procedure, with suitable lifting straps into the tops of the panels. Ensure the corner cap is installed so that access to the lower ligatures is maintained.
- 5 Fix a top hat whaler to either side of the outside face of the corner assembly and maintain the position of the corner cap (if needed).
- 6 With two people lift the corner assembly or using a crane, lift the corner assembly over the starter bars and slide the assembly into place, with a person adjusting the ligatures and starter bars as required as the assembly is lowered into position.

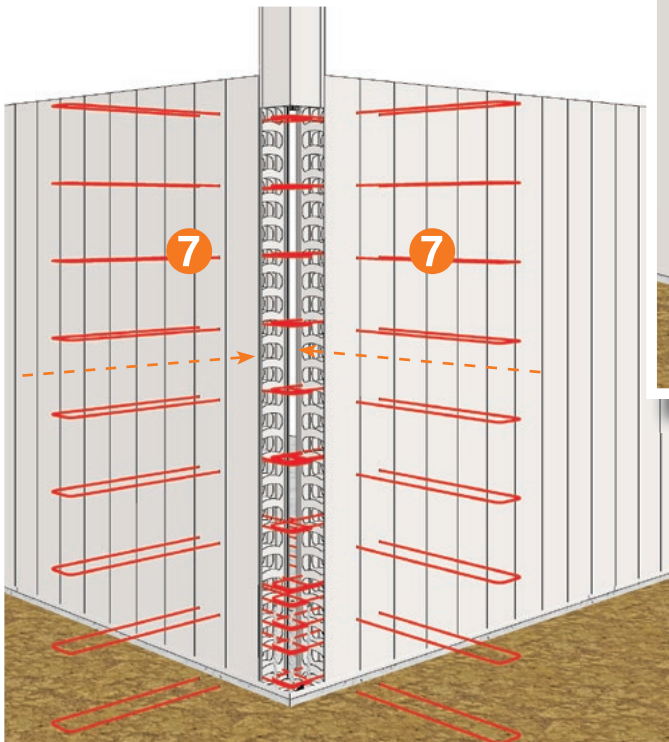
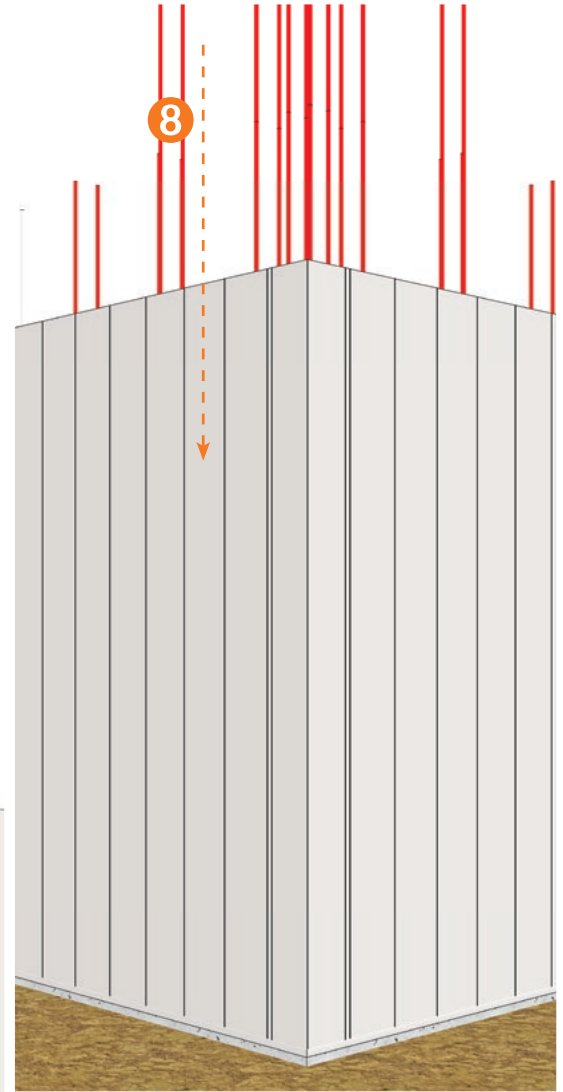
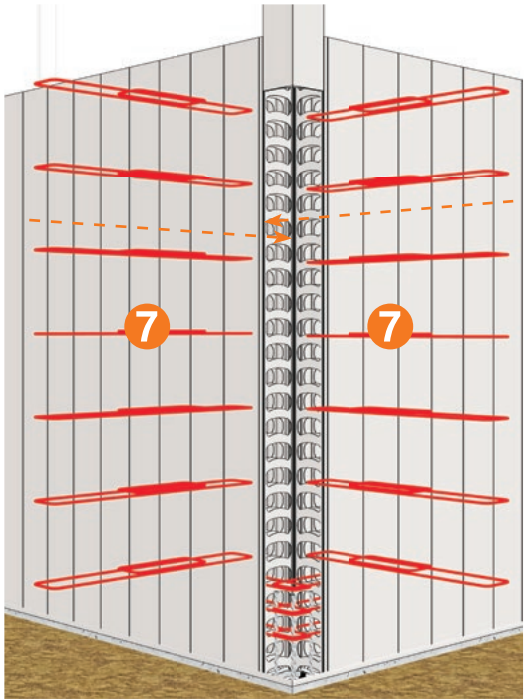


## Corner Installation –RW200C, Hooked U-Bars or Closed Ligatures

- 7** Slide the corner cap up and install remaining U-bar/preassembled ligature reinforcement into the corner above the starter bar level.
- 8** Install the vertical reinforcement and replace the corner cap. Plumb, square and brace the corner as per the standard bracing procedure. Remove corner braces.

Note: If tying of the vertical bars to the starter bars is required, insert the vertical bars before any Horizontal reinforcement is installed and lift the panels enough to allow access for tying.

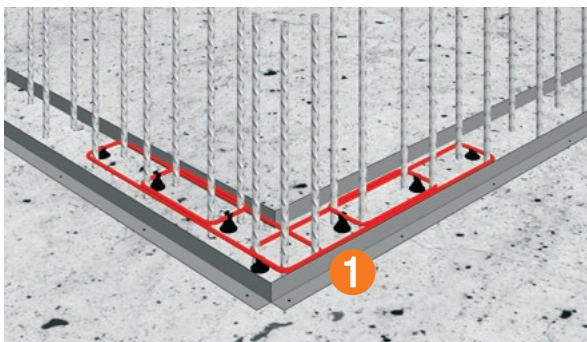
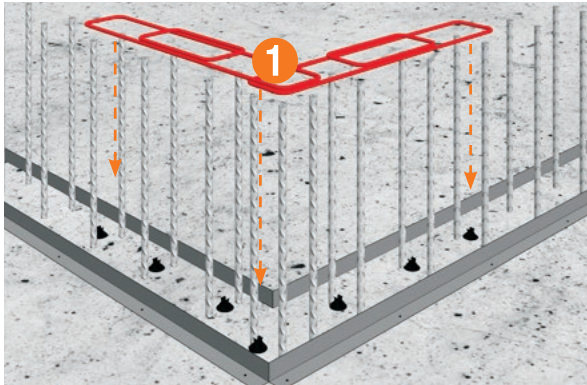
If craning the corner assembly into place all ligatures may be installed prior to lifting.



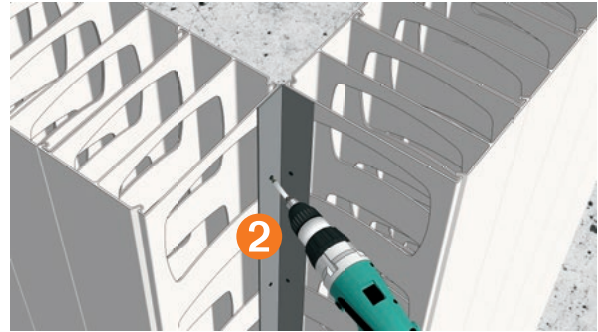
## Corner Installation – RW256S, RW275S, RW300S – Open Corner

### Site Assembled Corner Panels

**1** Fix floor angle (50x50mm) for RW275S or RW300S (or floor track for RW256S). Preassemble ligature/hook bar reinforcement configuration and tie together (where required). Check reinforcement assembly against starter bar placement to ensure that the starter bars will fit in. Install the first layer of ligature/hookbar. The lowest ligatures should be placed/chaired to a maximum of 50mm above the slab top surface (if required).

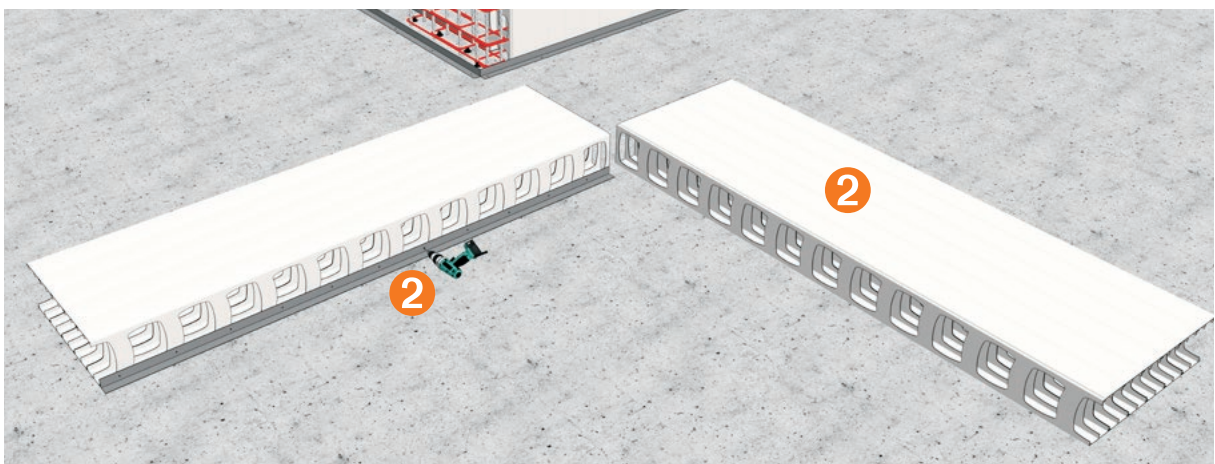
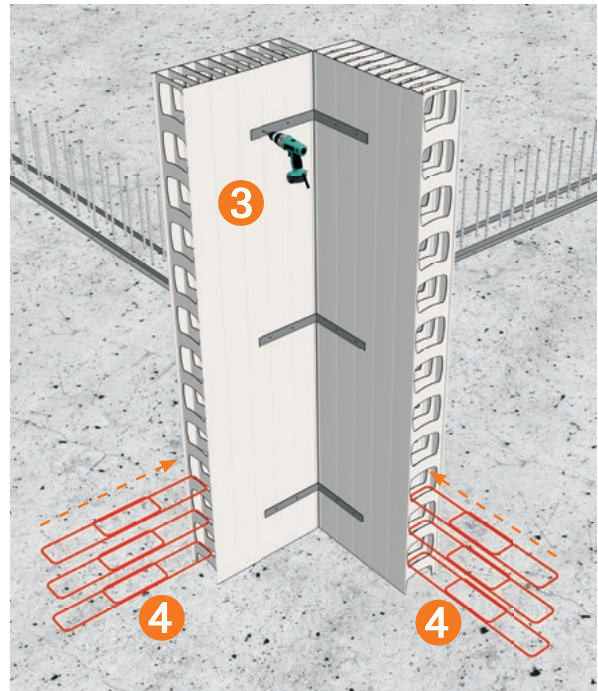


**2** Assemble the corner with 2-3 panels (or enough to fully accept the ligatures) for each leg of the corner and screw fix together at the joints. Install internal corner angle (standard 30x30mm angle) to one of the corner lags - fixing to the male end of the panel using tek-screws (type-17 metal) Panels should be ideally be laid down.



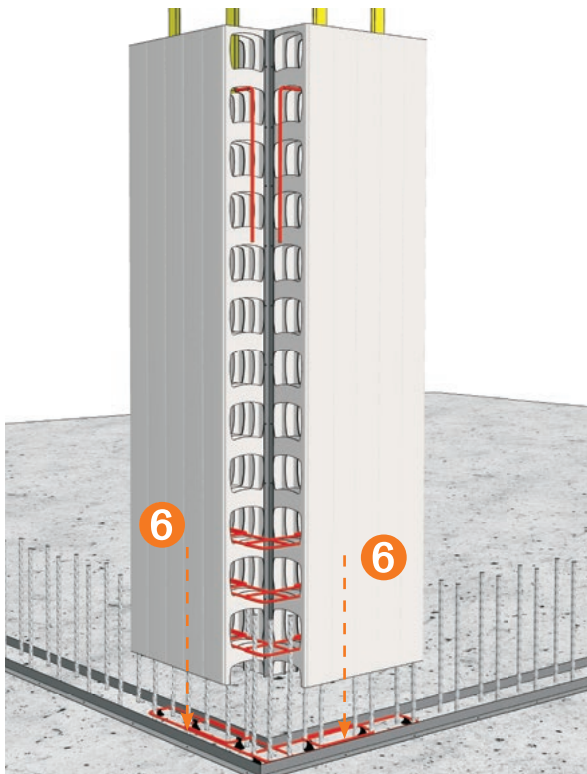
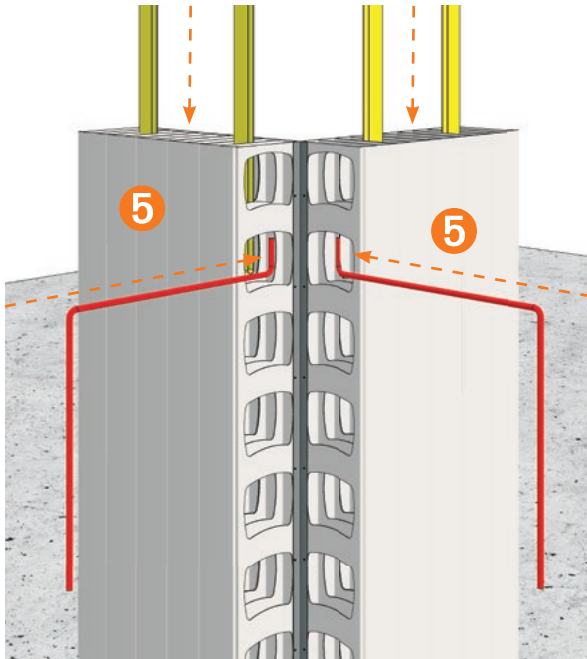
**3** Install the three corner angle brackets at the top, middle and bottom of the panels avoiding the location where final wall bracing will be fixed to the walls.

**4** Insert the preassembled ligatures to the height of the starter bars or full height of the panel locating as close as possible to their final position.



## Corner Installation – RW256S, RW275S, RW300S – Open Corner

- 5** Insert the AFS approved N16 lifting bars into each leg of the corner (total of 2 lifting bars) in accordance with AFS N16 lifting bar details/drawings with appropriate lifting straps and attached to crane (in accordance with on-site crane requirements) for the lift.
- 6** Lift the corner assembly over the starter bars and slide the assembly into place, adjustment of the ligatures and starter bars may be required as the assembly is lowered into position.

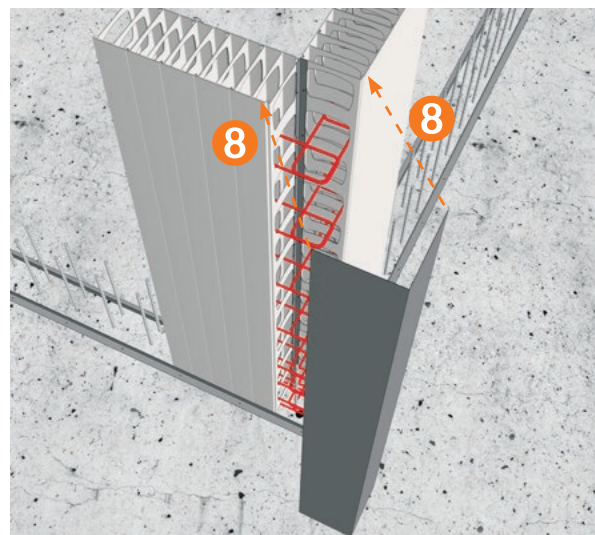
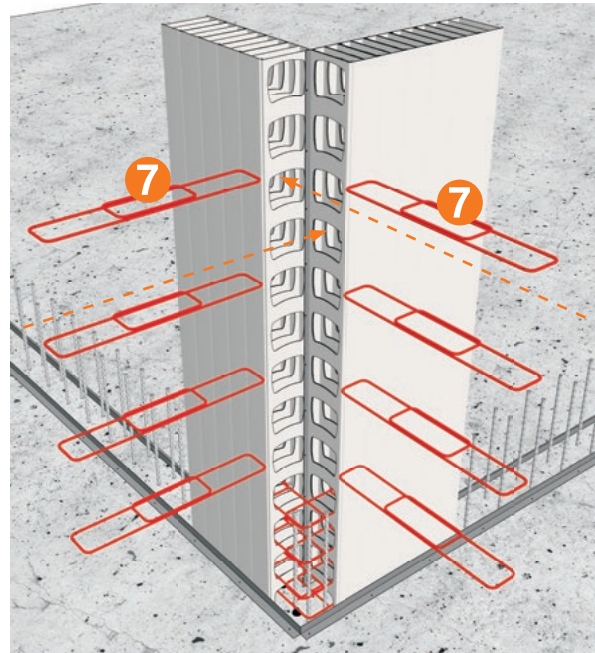


- 7** Install remaining ligatures as required into the corner assembly if not previously installed.

If tying vertical bars to the starter bars is required, install vertical reinforcement, lift the corner panel assembly up to allow access to the bottom of the vertical bars and starter bars, once tied lower the assembly back into place.

Plumb, square and brace the corner assembly. Refer to the AFS standard bracing section for details. Screw fix the panels to the floor angles (or track for RW256S) and remove the corner brace.

- 8** Once all reinforcement is installed screw fix the corner shutter (90° metal squint or form ply – supplied by others) to the outside of the corner assembly and brace.

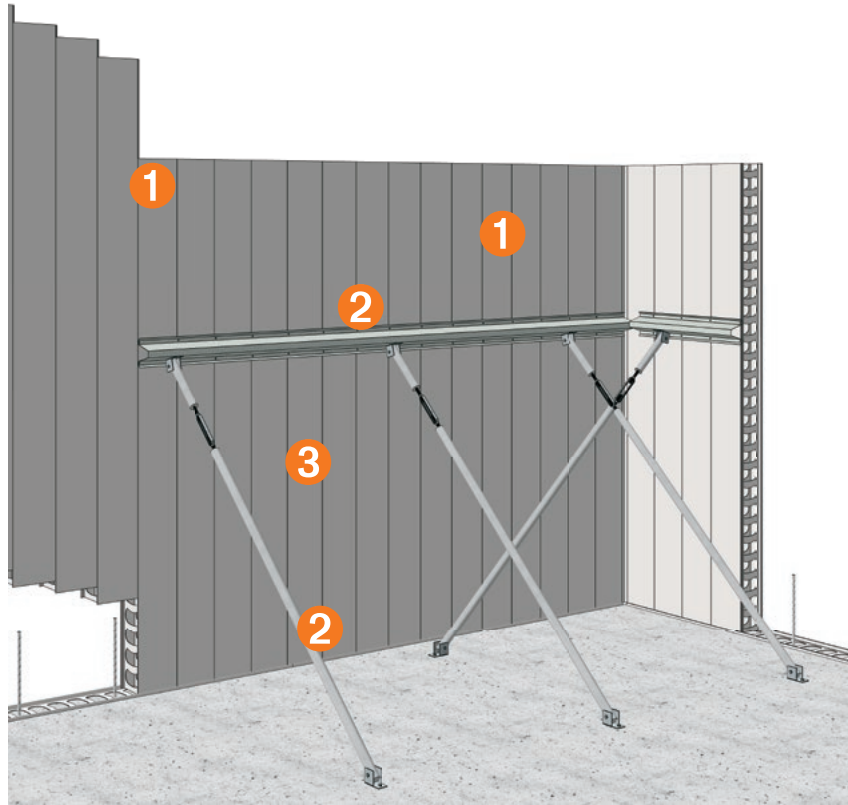




## Wall Construction

### Full Height Panels

- 1** Install additional rediwall® panels by clipping each panel into the previous one and sliding it down into the floor track. This procedure is repeated to form a complete wall.
- 2** Plumb the wall section vertically, install bracing and fix each panel to the floor track as construction proceeds.
- 3** Wall sections are formed using full rediwall® panels. If a space of less than 250mm is left, spacers and H Joiners installed vertically can be used to make up the required distance. H Joiners can be used vertically for a gap of 50mm (38mm for RW200) or less, screw fixed both sides at 150 centres to adjoining panels. Spacers are available in some systems, refer to the components page for availability.



#### WARNING

Refer to the Bracing section for detailed requirements and methodology.

## Safety Rail/Balustrade Wall Installation

### Balustrade Wall

**WARNING:** Where rediwall® panels are to continue past a slab to form a balustrade, care shall to be taken when creating openings in the rediwall® panel face to ensure that the webs inside are not damaged causing the panels to be weakened.

- 1** Install the rediwall® panels as per the standard method.
- 2** Engagement of the wall and slab can be achieved by cutting holes in the rediwall® face to install reinforcing bars. Use a hole

saw as per Structural Engineer's details (100mm maximum diameter).

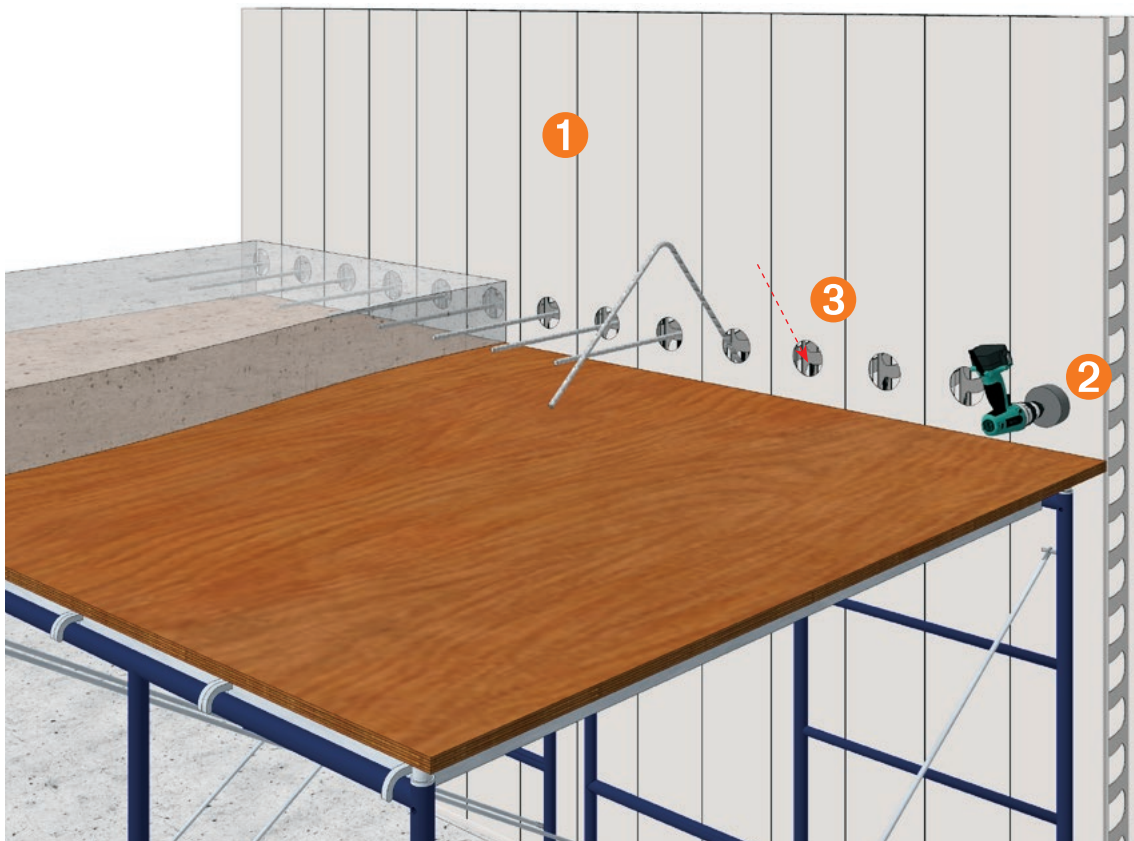
- 3** Insert the required reinforcement steel as per the Structural Engineer's details. When filling these safety rail/balustrade walls, fill initially to the bottom of slab level. Filling upper section shall be completed after the slab has been poured.

**IMPORTANT:** When being used as Safety Rail it is up to the Project Engineer to determine the required

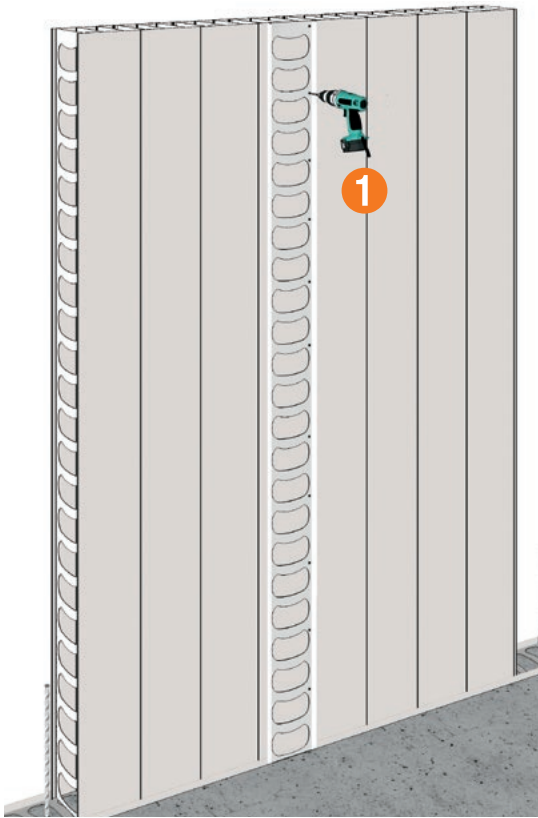
specifications and ensure that all mandatory requirements are met.

Note: Care should be taken when core filling that no concrete loss occurs due to the opening of the panel face as this may create voids in the wall.

Extra bracing may be required to ensure panel stability during slab pour.

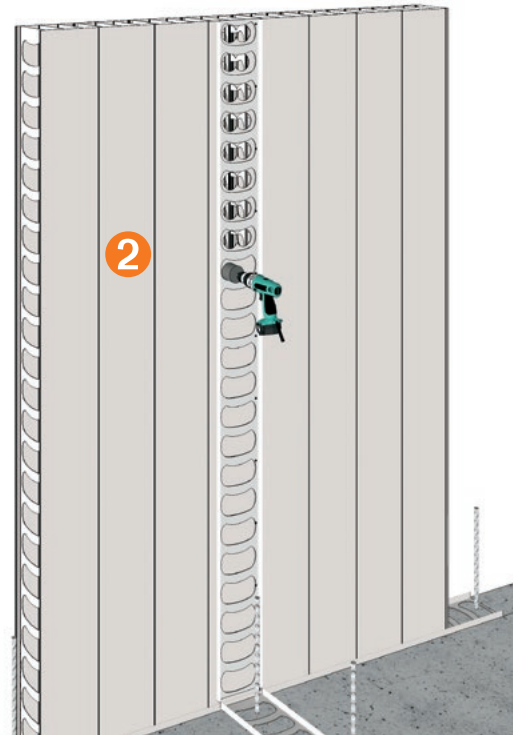


## T-Junction Construction

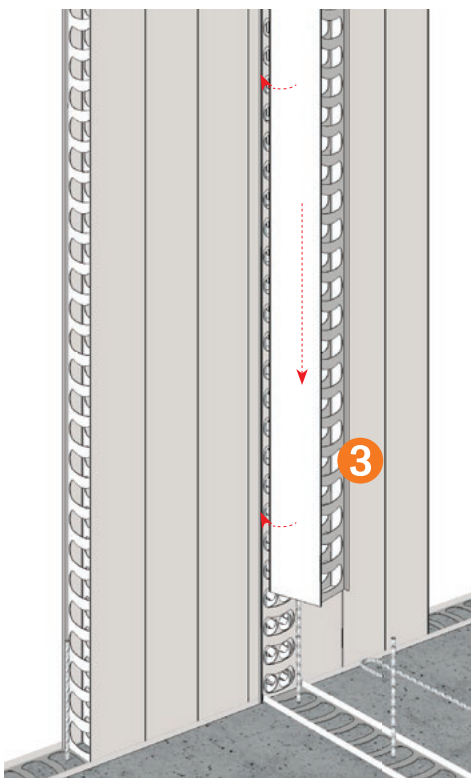


NOTE: Where a T-junction is to be formed, T-Joiner Track is to be used for vertical alignment. T-Joiner Track is used when core fill flow-through and reinforcement tie-in are required. If joining a male panel end at junction, use floor track in lieu of T-junction.

- 1 Place the T-Joiner Track vertically up the wall and fix the T-Joiner Track to the existing rediwall® panels with screws each side at 150mm vertical centres.



- 2 Use a hole saw to cut the rediwall® panels to allow for concrete core fill flow and steel reinforcement installation where appropriate. Refer to the Project Engineer's specifications.

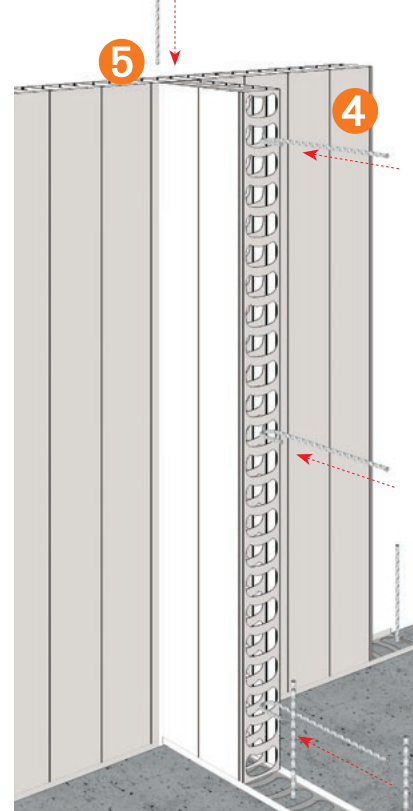


- 3 Install the first rediwall® panel to the vertical T-Joiner Track and ensure the clip edges lock securely each side of the wall.

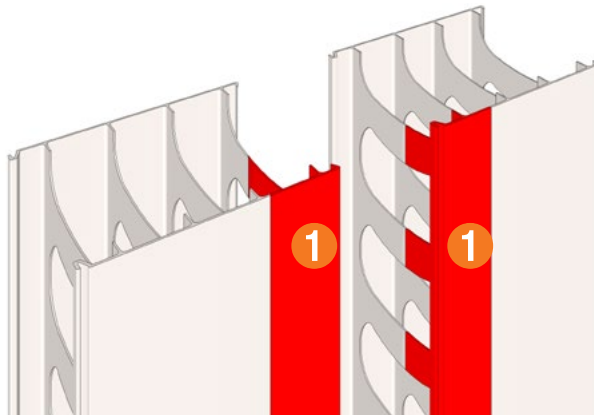
- 4 Once a suitable number of panels have been installed, slide the hook bars through the tee wall and into the primary wall, as per engineer's details.

- 5 Ensure hook bars are aligned and slide a vertical dropper bar into the primary wall and through the hooked bars.

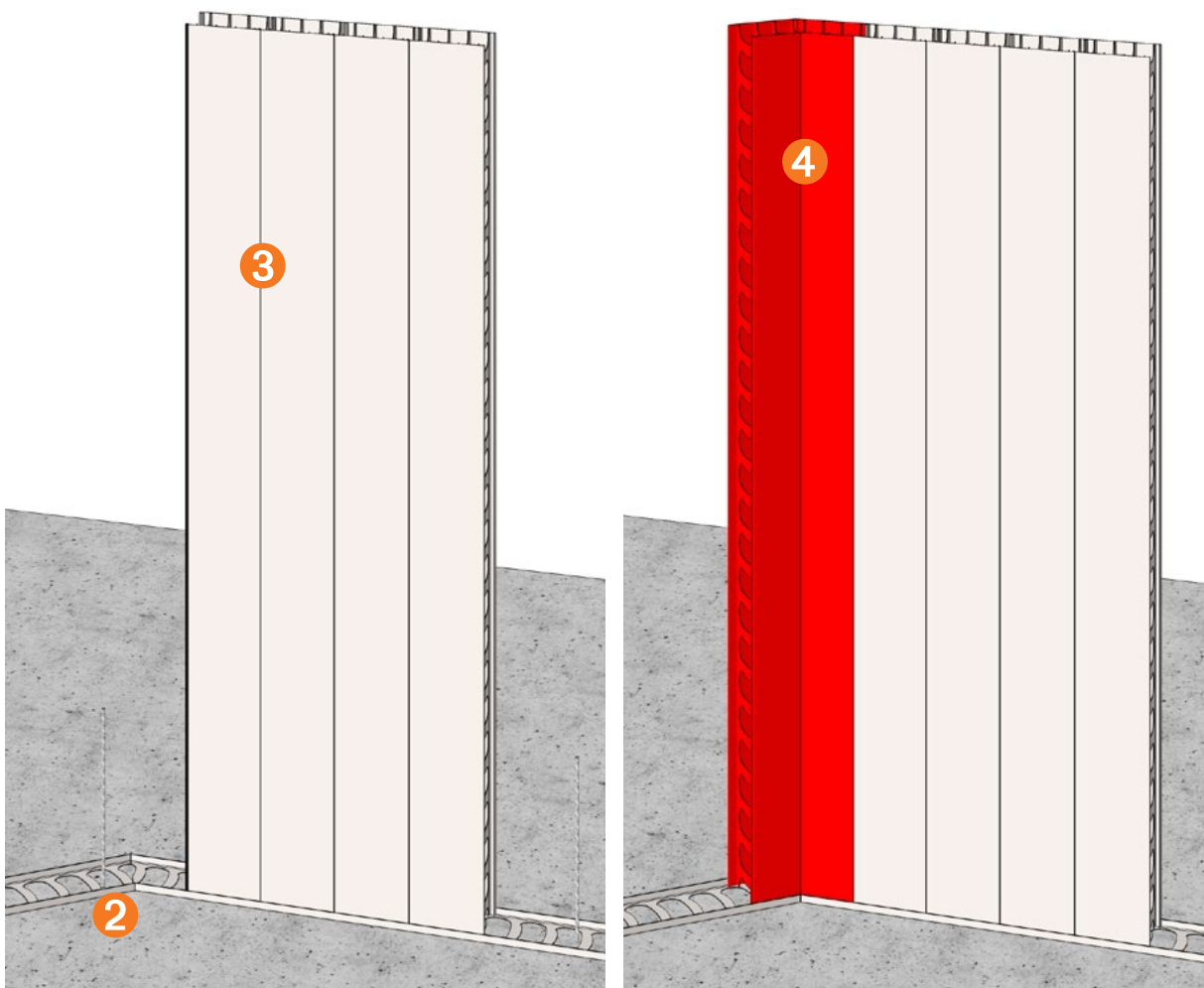
Bracing for T-junctions not shown for clarity. Refer to the Bracing section in this guide for details.

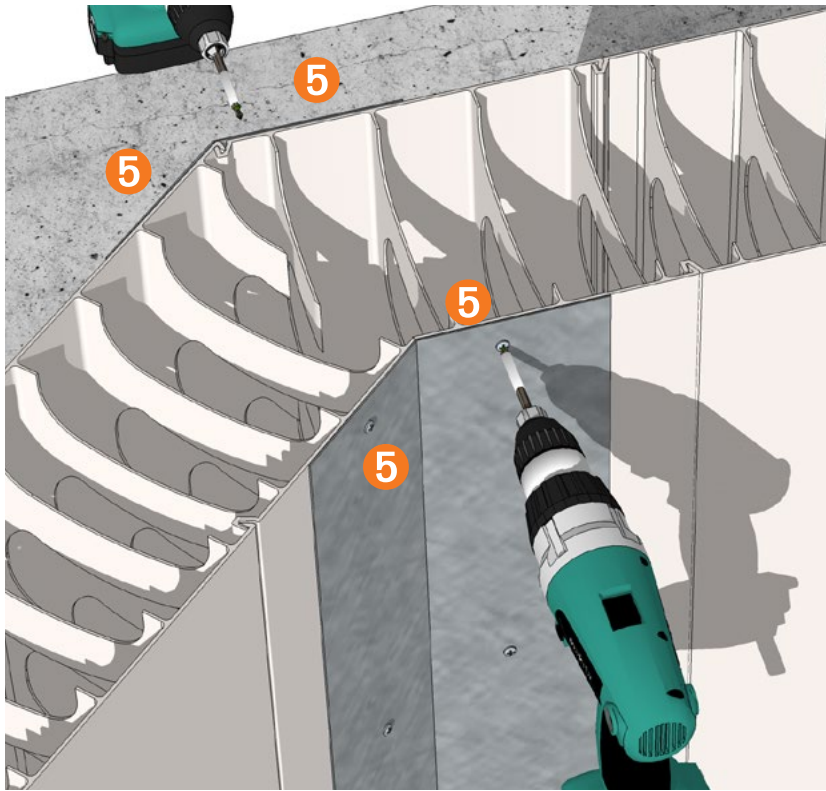


## Obtuse Corner Construction



- 1 Cut the required angles from two standard panels.
- 2 Prepare floor track to accept obtuse angle panels. Mitre cut the floor track to make the required angle. Fix the floor track as per earlier instructions in this guide.
- 3 Install wall section up to the corner panels. Fix and brace.
- 4 Install the two cut panel pieces and screw fix to bottom track.



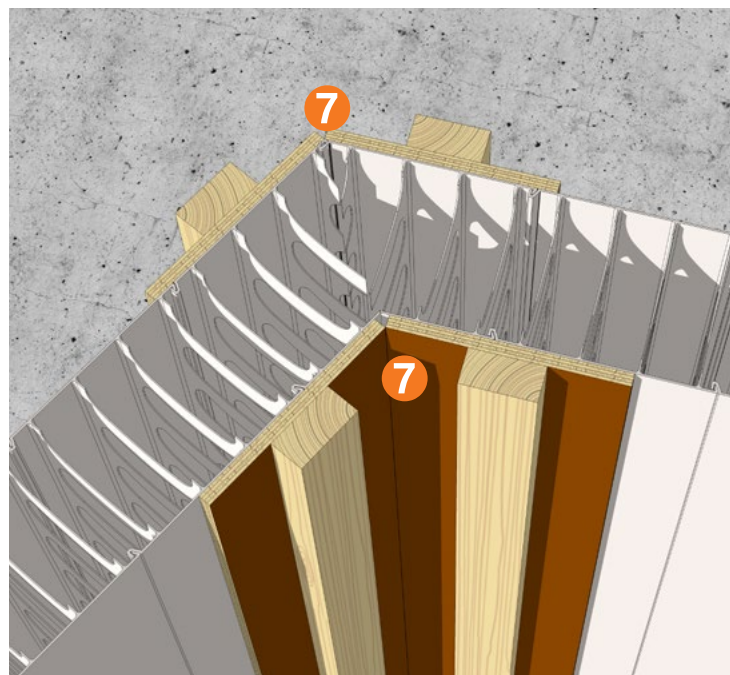
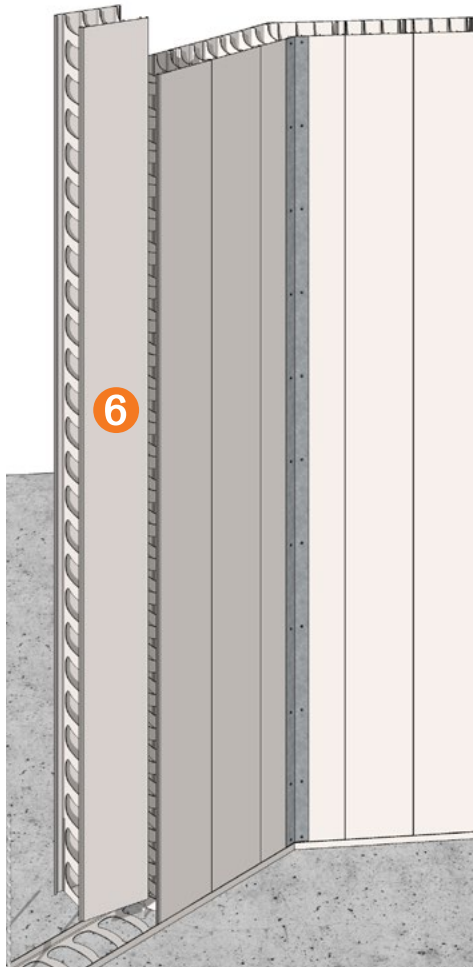


**5** Screw fix appropriate colorbond steel angle squints at maximum 150mm centres to both sides of the internal and external corner junctions.

**6** Continue with standard wall installation and wall bracing.

NOTE: Additional treatment may be required for a waterproof solution. Refer to the Project Engineer for details. Galvanised squints angles are available for 45° corners only.

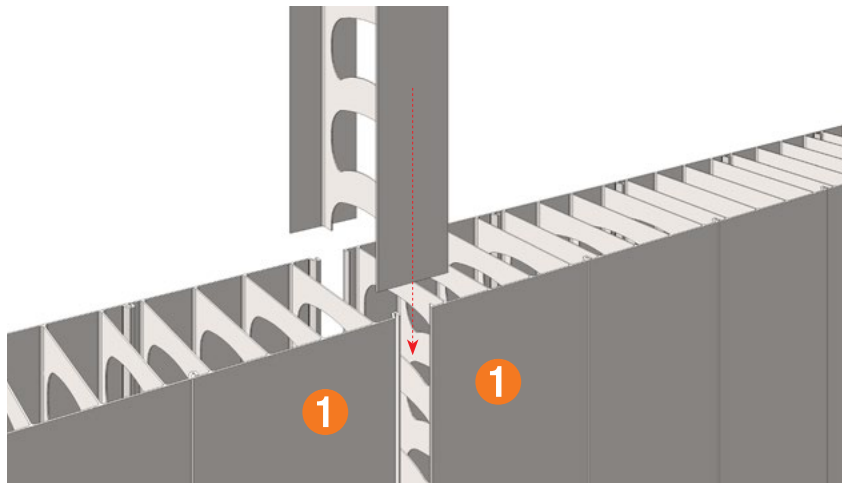
**7** For angles other than 45° the corner joint must be fully braced with PLY and LVL timber.



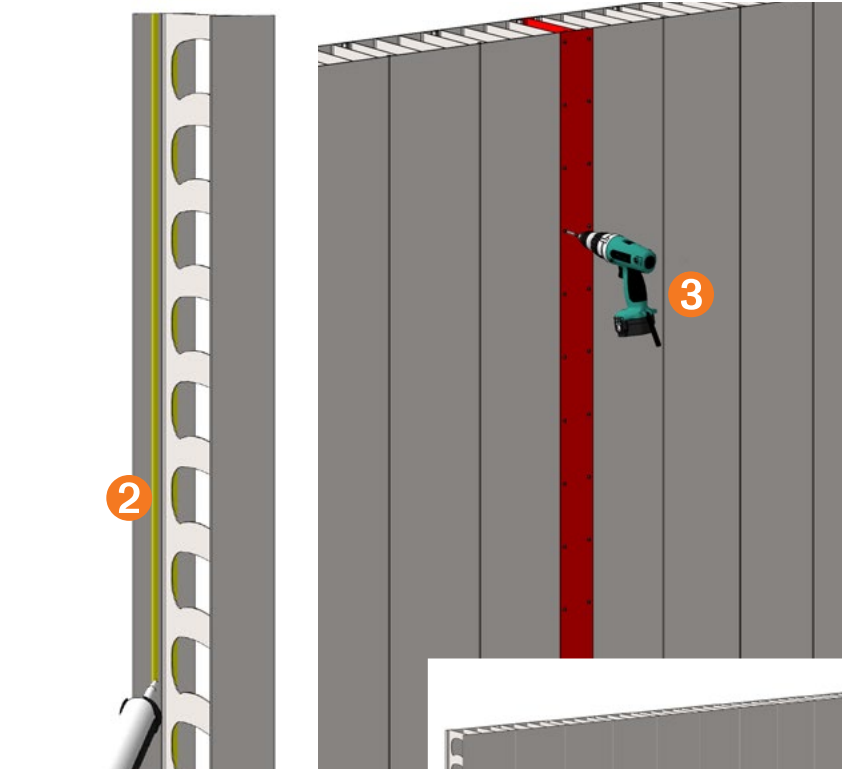
## H-Joiner Installation

### Joining Walls with an H-Joiner

During the course of a rediwall® installation, it is likely that you will be required to join two male or female wall profiles or cut panels or will need to close a small gap in the wall panels.

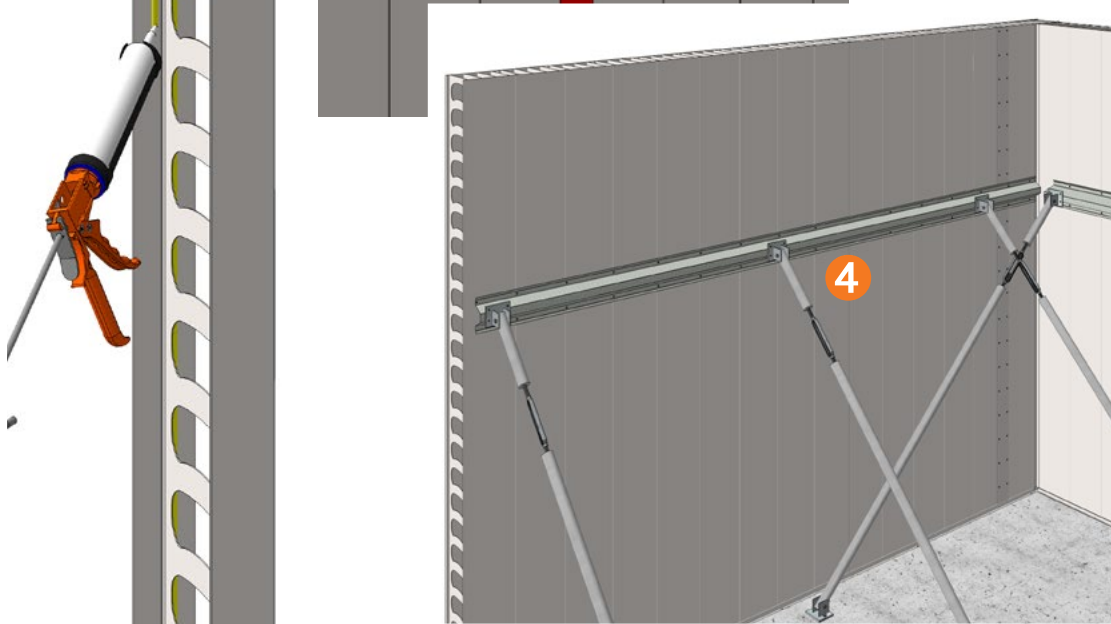


**1** Align the panel ends correctly and ensure the gap is suitable for the use of an H joiner.



**2** Run a bead of silicone down the inside of all four flanges of the H-Joiner. This will help seal and hold the H-Joiner in place.

**3** Screw fix each H-Joiner flange with screws, at 150mm centres. Repeat on both sides of the wall.



**4** Brace as per a standard wall section.

## H-Joiner Installation (Limited Site Access)

### Joining Walls with One Side Access

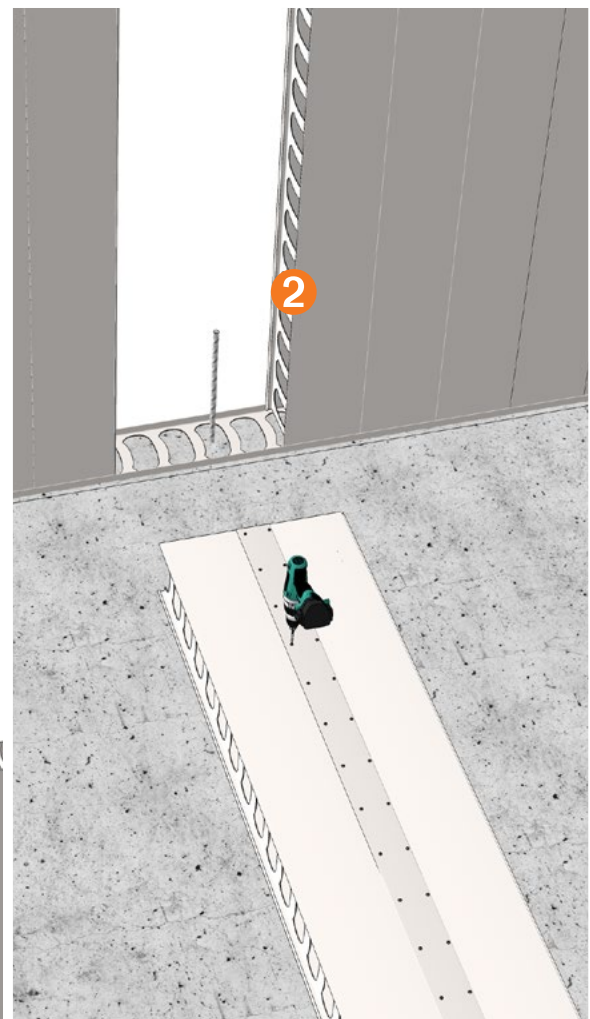
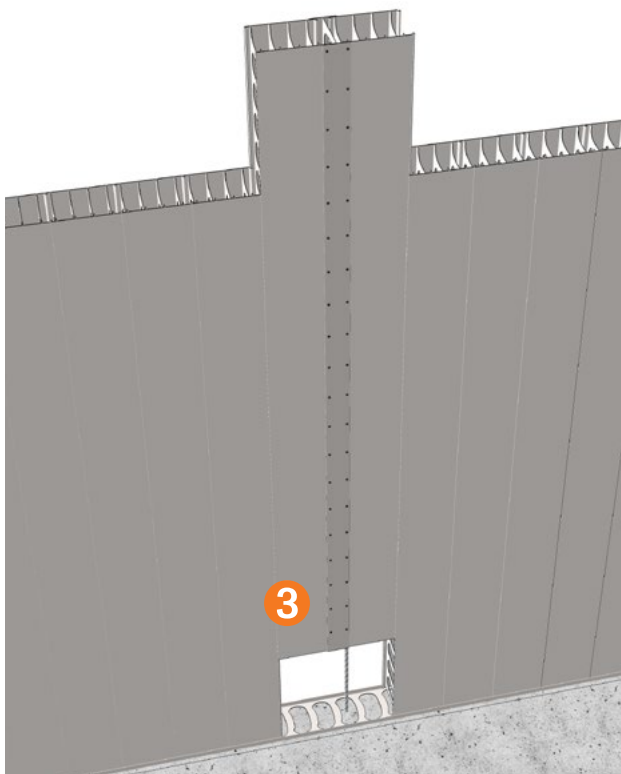
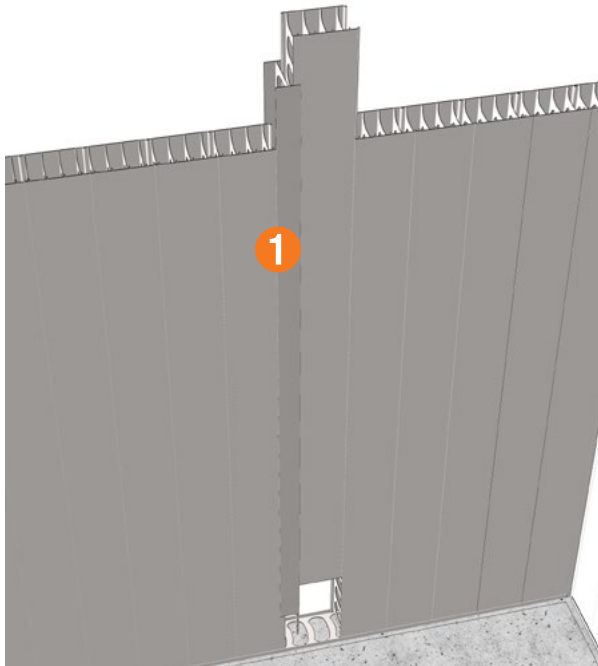
When site access is limited and an H-Joiner is required, pre-assembly of the wall section to be install may be required.

**1** Install the H-Joiner and the adjacent panels. Cut the panels if required to ensure the wall sections fit together. Allow an overlap of the H-Joiner and the

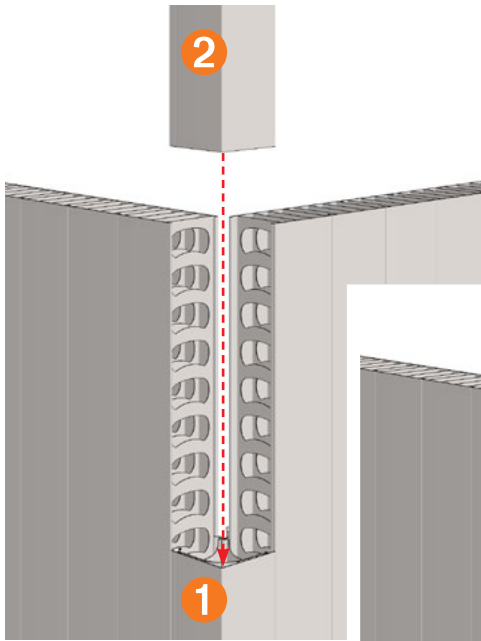
panel for screw fixing. Mark the panel fixing locations and remove the panels.

**2** Apply sealant to the H-Joiner then assemble to the adjacent panels and screw fix both sides at 150mm centres. (See previous page for details).

**3** Slide the panel assembly down into place and fix as per the standard method.



## Accessory Extensions

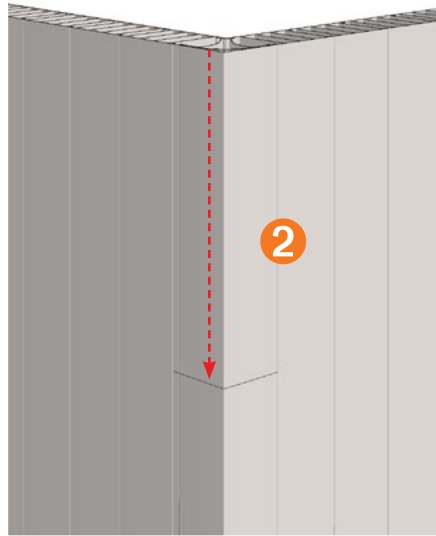


### Corner Assembly

For wall heights greater than 3.6m, butt jointing of components such as corner assemblies and H-Joiners may be required. When butt jointing, ensure the joint occurs as high as possible, i.e. at 3.6m. If a joint occurs below the water table, additional treatment may be required. Consult the Project Engineer for waterproofing details.

- 1 Install the first corner assembly to a height of 3.6m.
- 2 Trim the additional corner assembly to the required height and slide into place. Fix as per standard corner details.

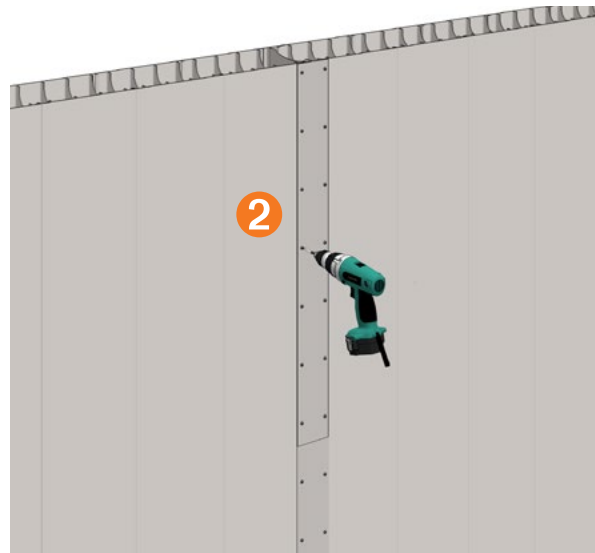
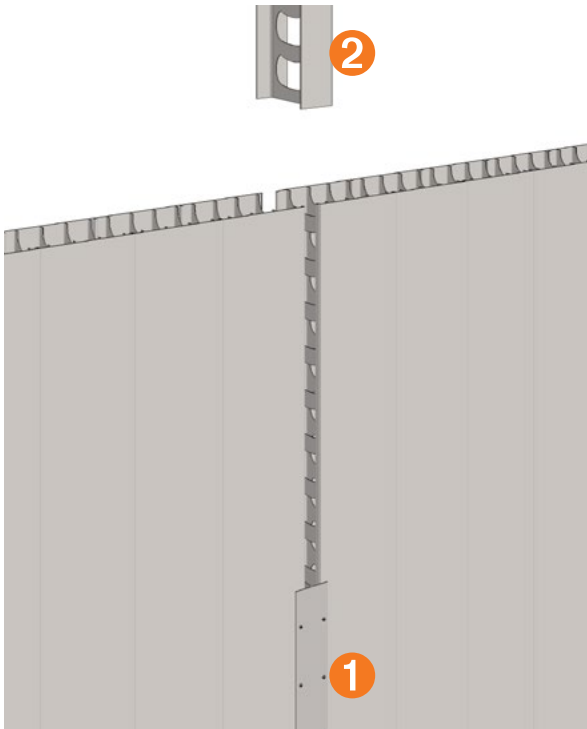
Note: Care should be taken when cutting to ensure the holes align for reinforcement placement.



### H-Joiner

- 1 Install the first H-Joiner to a height of 3.6m as per the standard installation details.
- 2 Trim the additional H-joiner to the required height and slide into place. Screw fix as per the standard installation method.

Note: Care should be taken when cutting to ensure the holes align for reinforcement placement.





## End Cap Installation

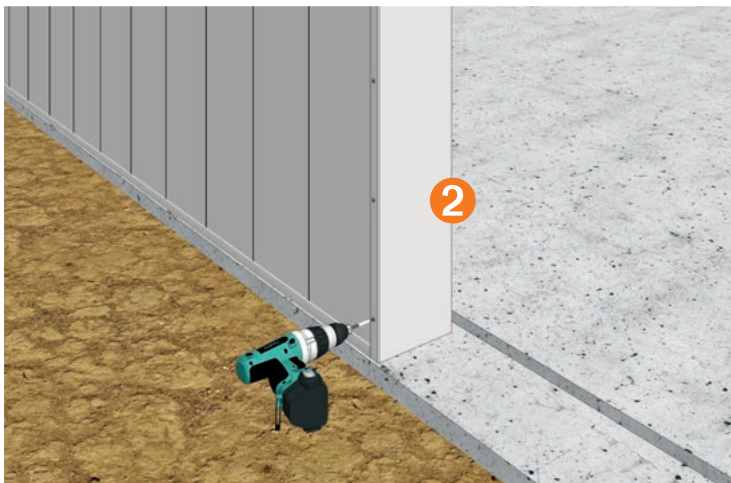


### PVC End Cap

**1** Wall ends or openings can be capped using the rediwall® PVC end cap. Trim the end cap to the required length and slide it onto the wall end being capped.

**2** Screw fix each side with screws, at 150mm centres.

**WARNING:** End caps are to be braced for the full height. Refer to "Bracing End Caps" for details.



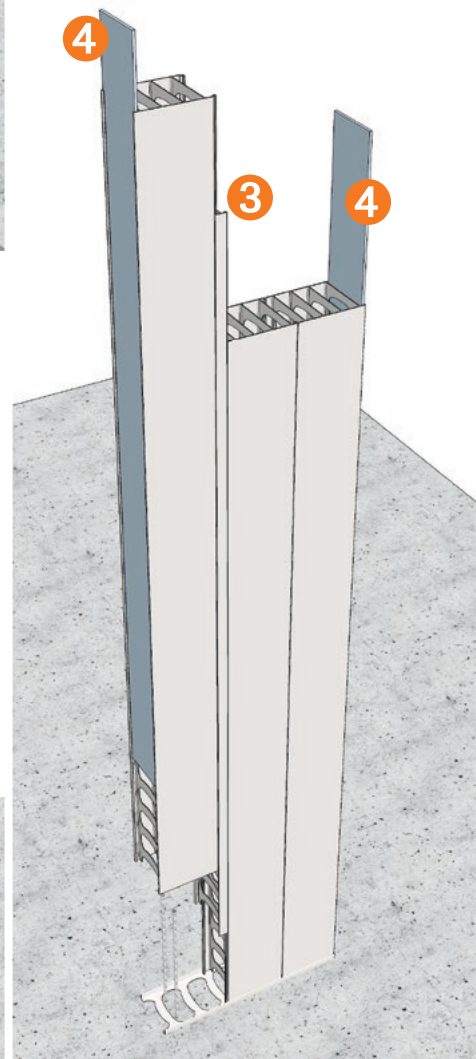
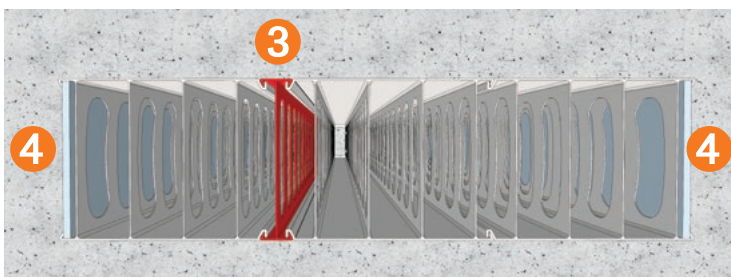
### Fibre Cement Strip

Alternatively, 9mm and 12mm thick fibre cement strip can be used in lieu of the PVC end cap. Fibre cement strips are available from AFS.

**3** A female/female joiner can be used to convert one panel end to female. The female/female joiner should be installed at least one panel in along the wall..

**4** Cut the fibre cement to length and slide into place behind the clips, of the end panels, as shown.

**WARNING:** The wall end must be braced for the full height.



## RW256S, RW275S and RW300S Blade Walls

### Blade Walls

**1** When installing an RW256S RW275S or RW300S blade wall, a floor track (RW256S only), 50x50mm angle or other is used. Fix the base to the slab at 450mm maximum centres. Place the first panel at the end of the floor track and screw fix to the track.

**2** Slide additional panels together until the blade wall

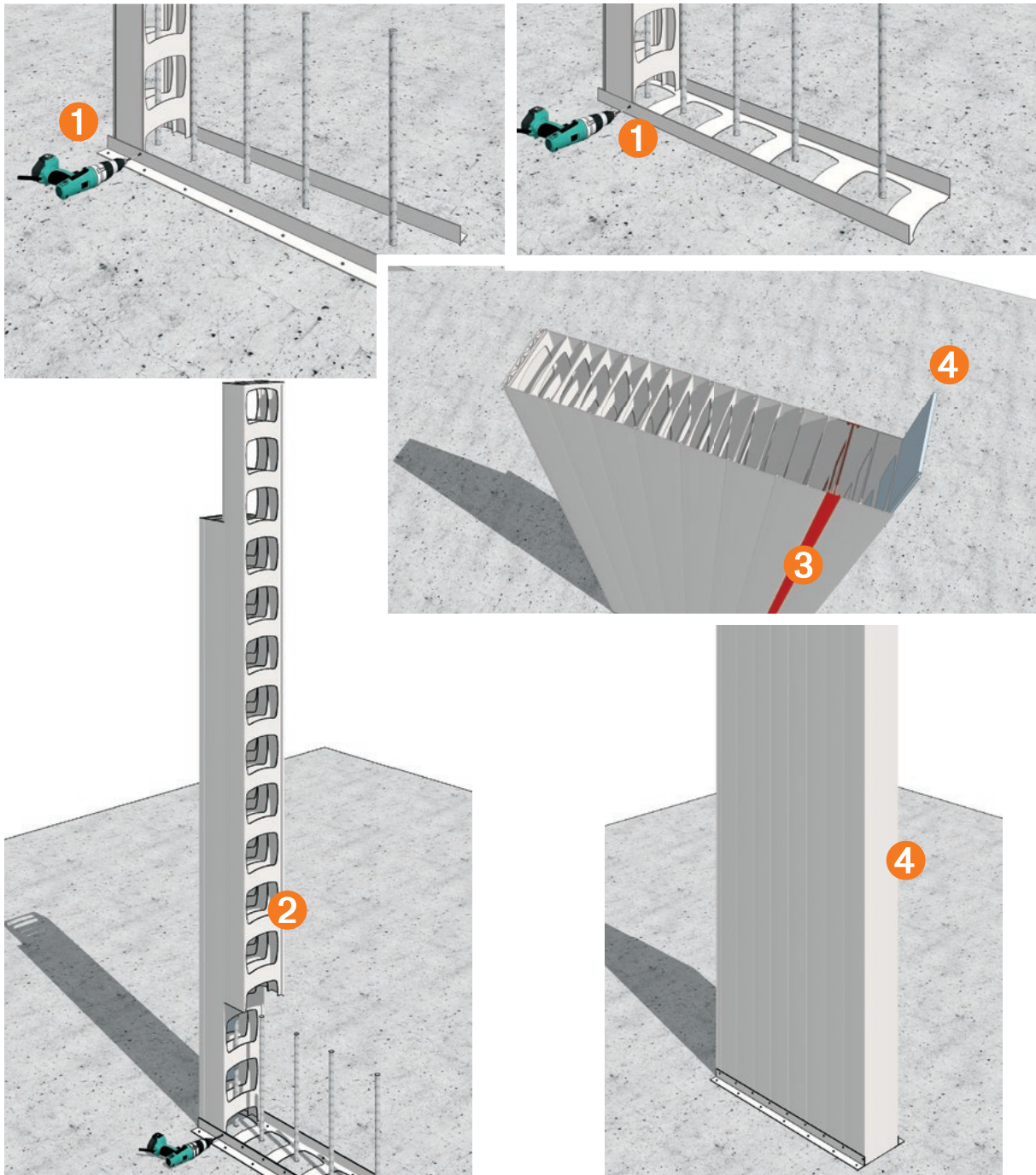
is complete. Screw fix all panels to the floor track at the panel joins. Any reinforcement bars required should be slid into place before installing the end caps.

**3** A female/female joiner is required to reverse the panel end in order to install a QuickCap or fibre cement strip. The female/female joiner should be installed at least one full panel in from the end of the wall.

**4** Finish the end of the blade wall with a fibre cement strip (as shown) or alternatively End Cap (RW256S only), Quick Cap (RW256S only).

**WARNING:** End caps are to be braced for the full height.

Note: A timber kicker can also be used for alignment and containment of the base of the blade wall.



## Column Construction

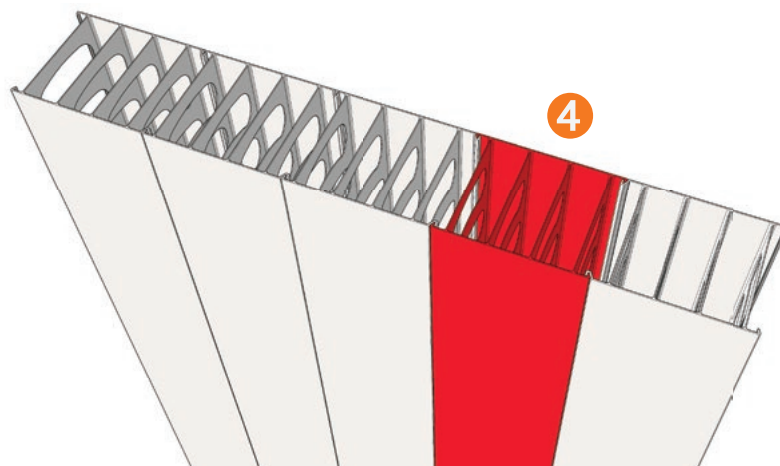
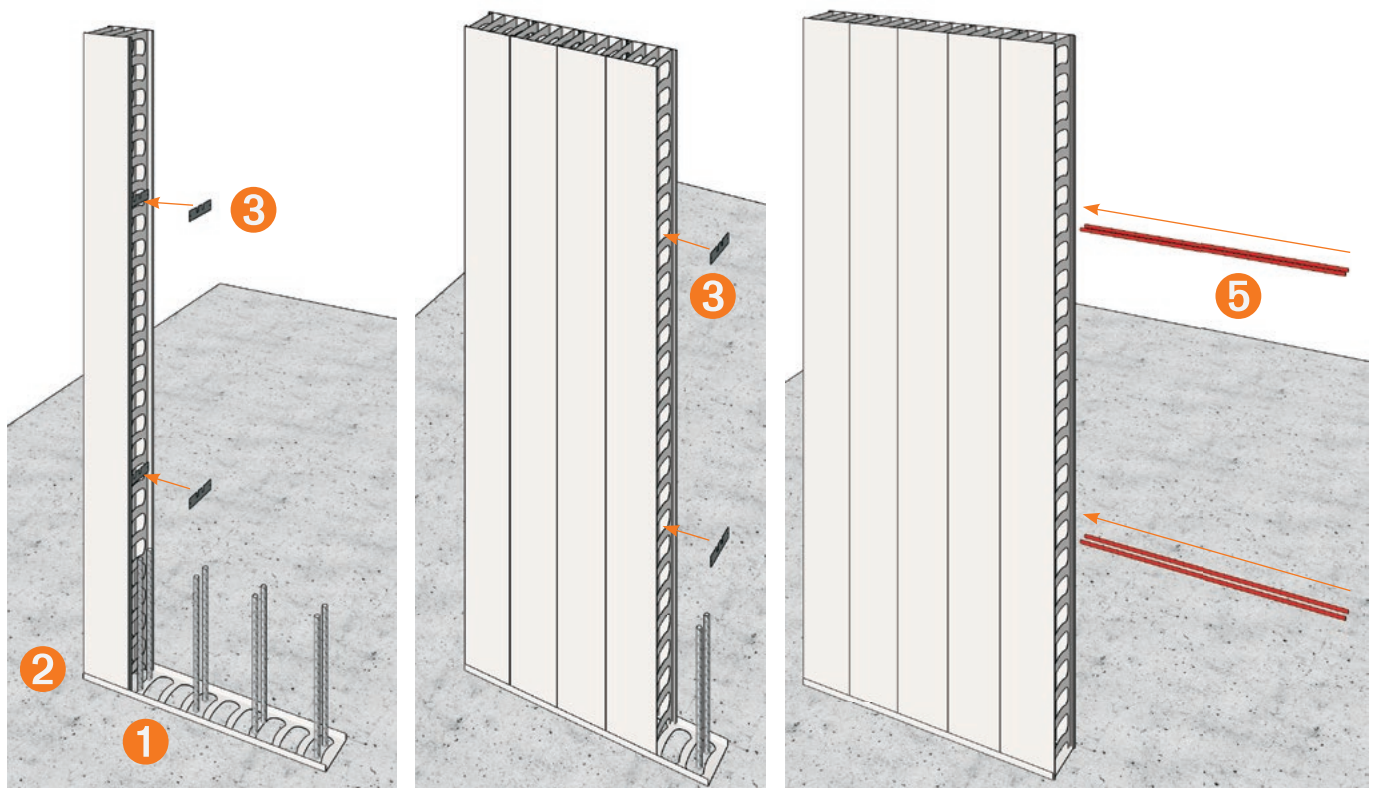
### Rediwall® Floor Track and Panel Fixing

- 1 Position the Rediwall® floor track or angles at the correct column location and fix the track to the slab.
- 2 Screw fix each Rediwall® panel to the floor track on both sides of the panel.
- 3 Vertical bar locators (VBL) and alignment bars can be used to assist with location and installation of the vertical reinforcement. Once sufficient number of Rediwall® panels are fixed in place, fix the VBL to the inside web face of the afs rediwall® panel at the desired locations of the vertical bar alignment guides.

4 If using the RW200C FF Column Panel, it is recommended that it be used at least 1 full panel from the end of the column. The RW200C FF Column Panel **CANNOT** be used as the end panel.

5 If VBL are used, slide the alignment bar (R10) through the VBL.

**Note:** These guide bars are **NOT** to be considered as part of the wall structural reinforcement.



## U-bar Installation

### U-Bar Installation

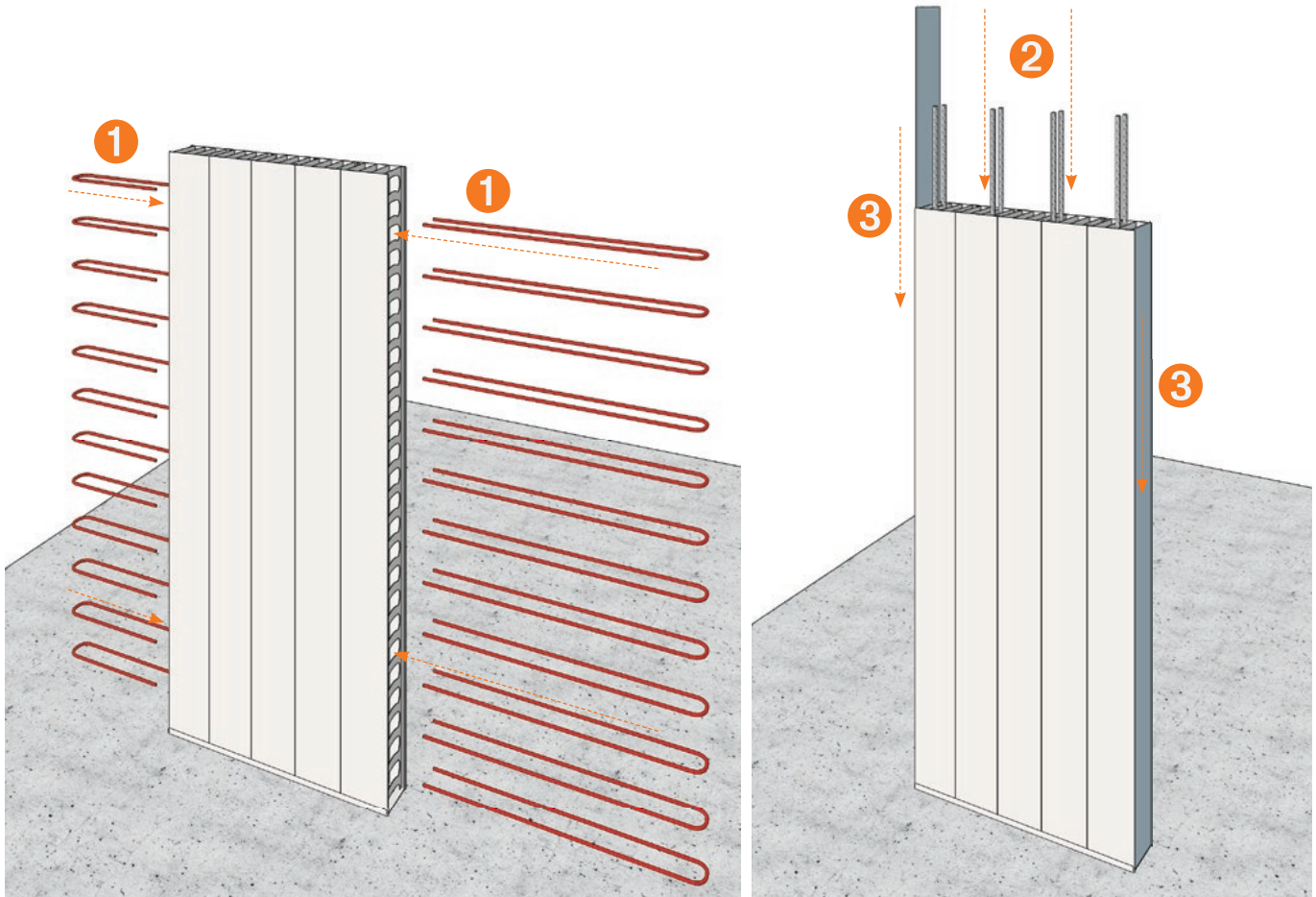
- 1 Insert the U-Bars into the Column at the required spacings. Refer to engineers details.
- 2 The vertical reinforcement bars are then lowered into the Rediwall® panel, at the correct locations. Ensure that the vertical bars are on the internal side horizontal U-bars, and on the outer side of the alignment bars.

**Note:** A small 20mm bend at the base of the vertical bar can be used to “joggle” the bar past the horizontal bars.

The offset makes it easy when lowering the vertical reinforcing bars into the wall to weave it in between the locator bars and the outer horizontal reinforcing bars.

A mark on the vertical joggle bars can facilitate locating the alignment bars so that the joggle bars can be paused just above the horizontal locator bar can speed up reinforcement installation.

- 3 Insert the two fibre cement end caps into the Rediwall® panel clips. Ensure that the column is fully braced.

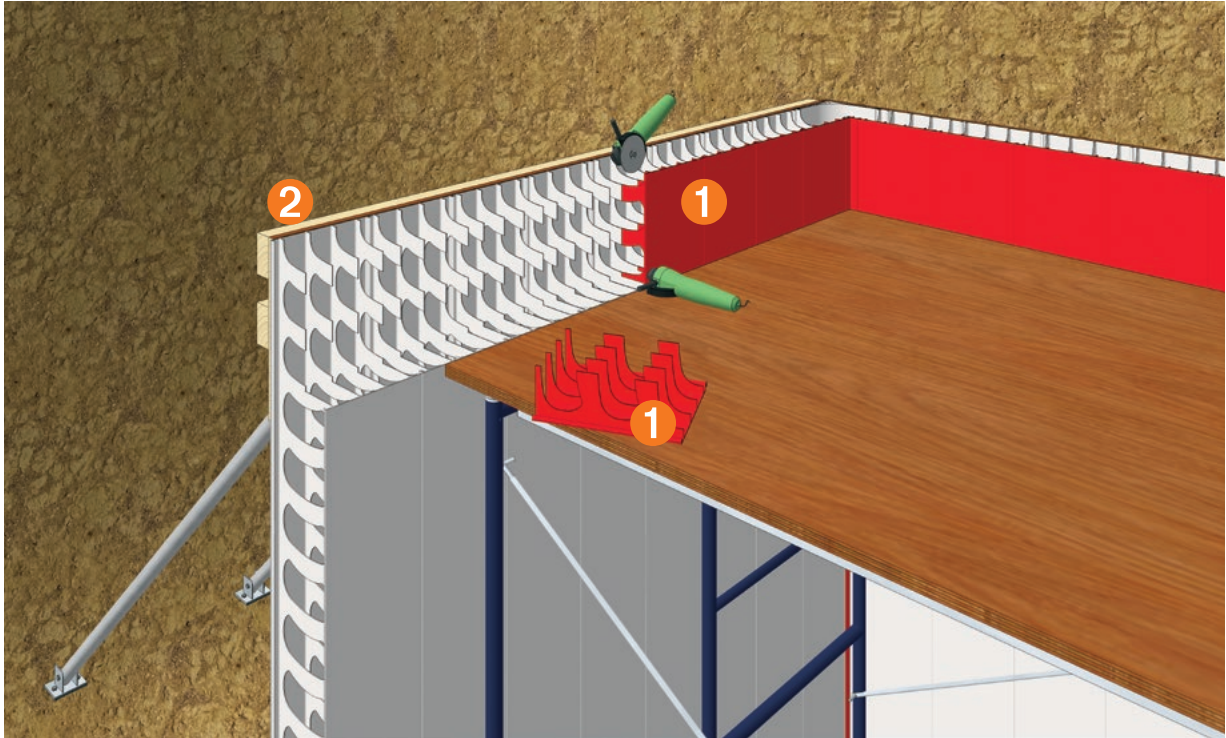


## Rediwall® Edge Form

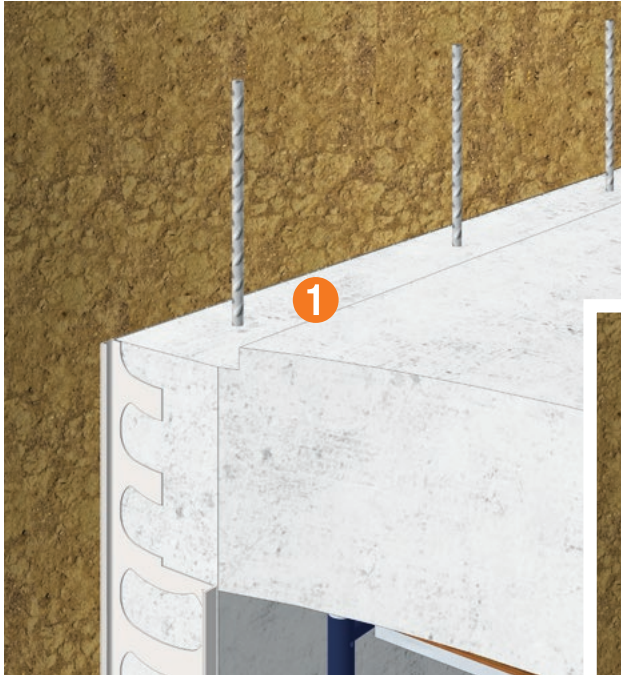
### Rediwall® Edge Form

**1** Once the wall has been installed and the formwork deck is in place, use a grinder to cut out the top edge section of the rediwall® panels.

**2** Additional bracing is required along the edge form section. See edge form bracing in this manual.



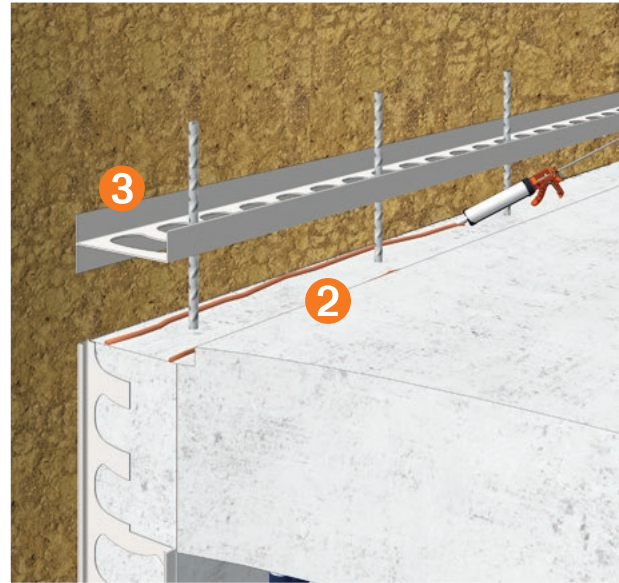
## Rediwall® J-Track Installation



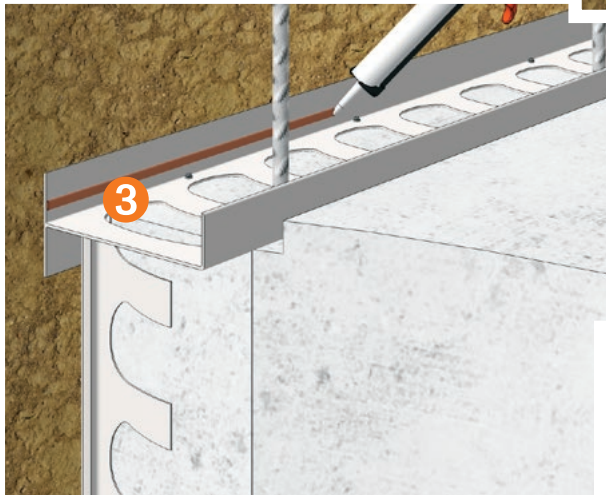
- 1** Ensure that the suspended slab surface is free from debris and the level is checked and corrected as required. The Project Engineer should be consulted in relation to correct starter bar placement.

### J-Track

When continuing a wall to another storey, J-Tracks are used as floor track at the junction of the upper wall and suspended slab (e.g. stair shafts, lift shafts and external walls). For external walls, waterproofing details for this junction are to be determined by the Project Engineer.

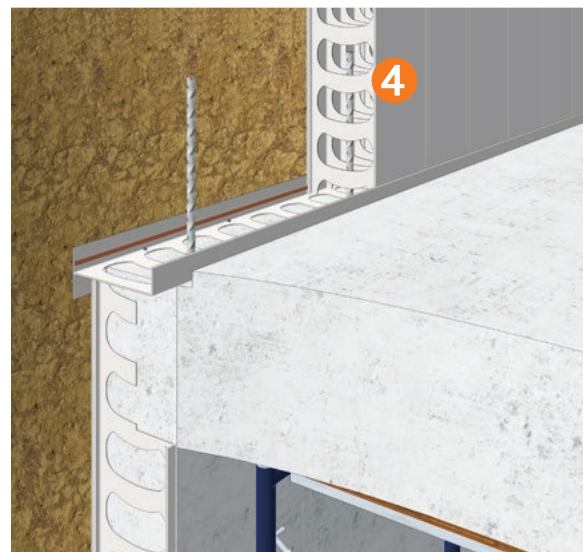


- 2** Two beads of polyurethane sealant or as per waterproofer's details, must be applied in accordance with the manufacturer's instructions under the rediwall® floor track (one on each side of the track) on all external walls.



- 3** Rediwall® J Track is then placed in the required location and fixed to the concrete slab using a masonry fixing gun or drill and anchor masonry fixing system. Fix with fasteners each side of the track at 500mm centres for walls up to 5m height, or at 250mm maximum centres for walls over 5m height.

- 4** Start the new wall as per the standard wall construction method in this manual. Ensure any bracing is adequate for multilevel construction, refer to the Project Engineer for details.



## Window Openings

### Sills and Lintels

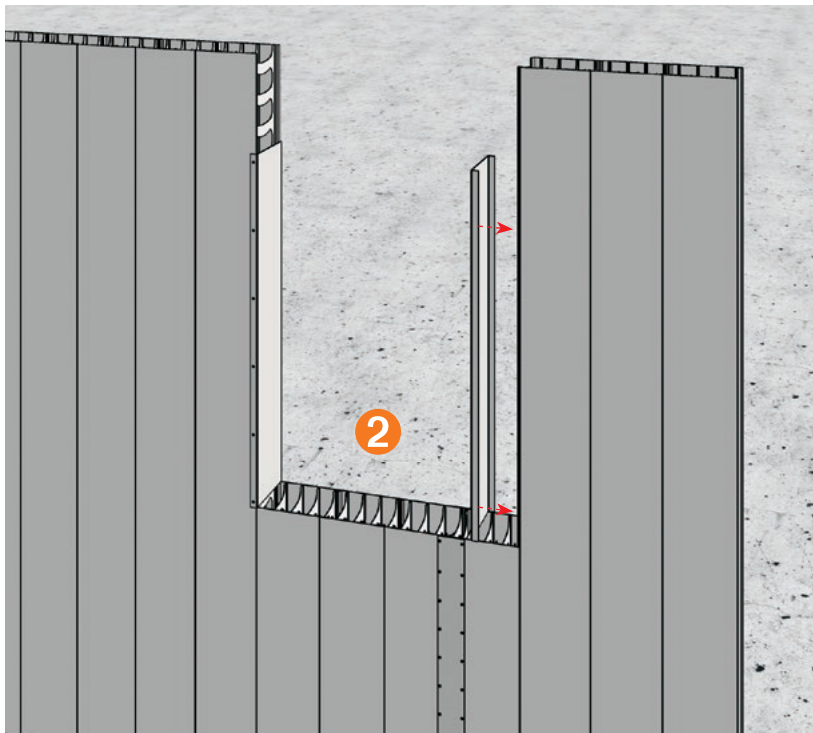
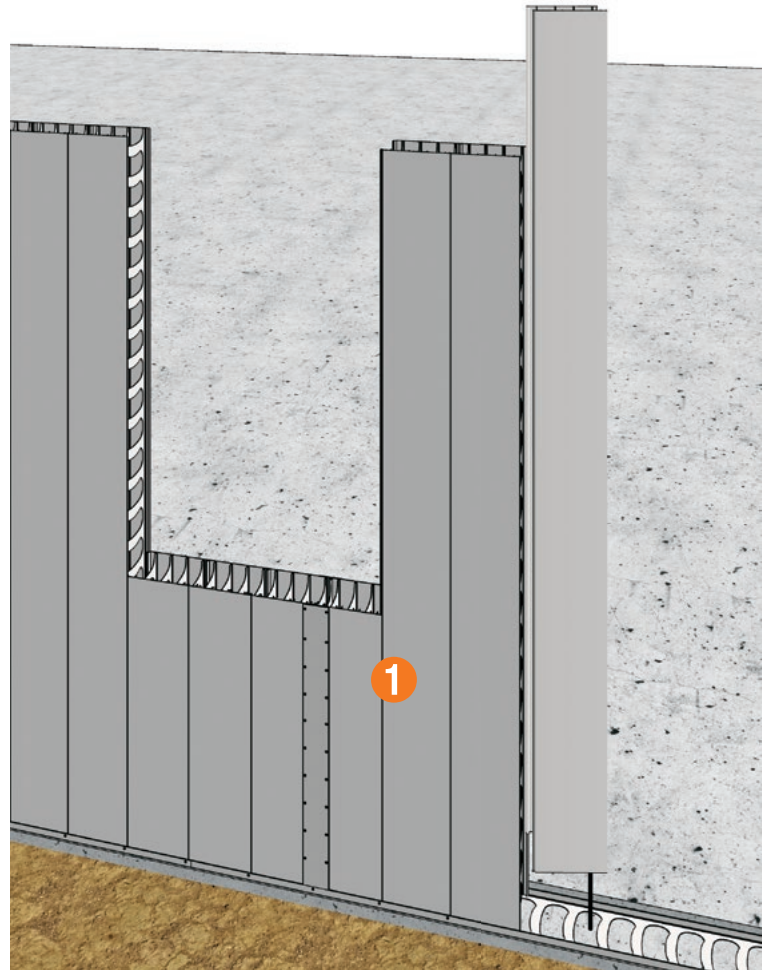
Rediwall® PVC End Cap is used for closing off at the underside of lintels and at the sides of openings. Lintels can be built into the wall or cut out of the installed panels.

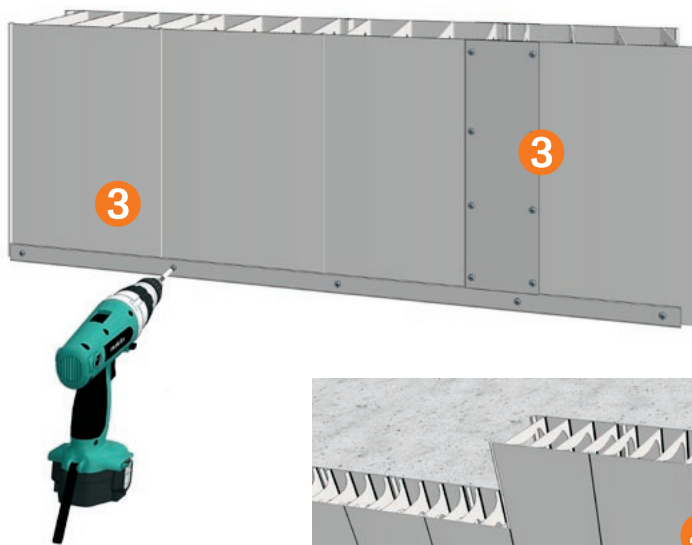
#### WARNING

It is imperative that all lintels and openings are provided with sufficient support to withstand the weight of concrete prior to core filling. Refer to the Bracing section on for details.

- 1 Install sill panels as per site plan. AFS recommends installing 2 or 3 additional panels on the side of the sill as per normal panel installation.
- 2 Install End Cap to the sides of the opening to the required height and screw fix at 150mm centres each side of the wall.

Alternatively, panels can be cut to suit opening width.



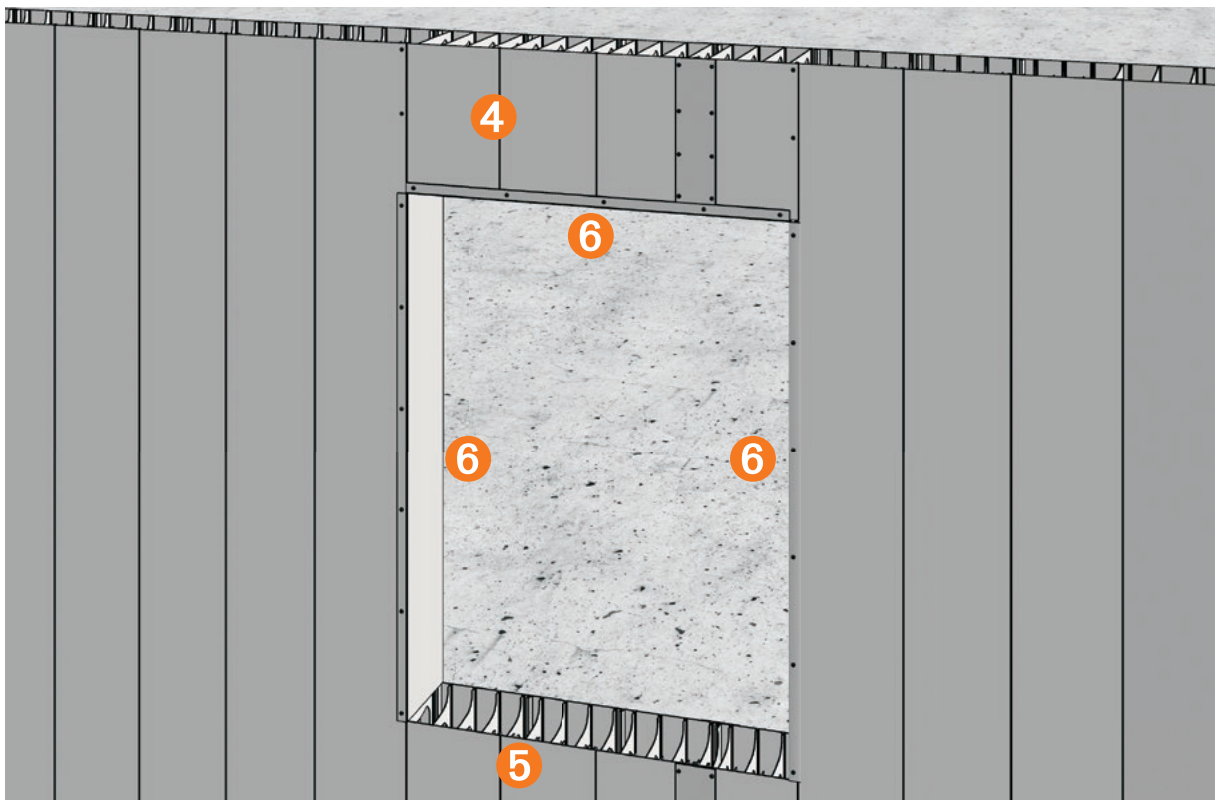
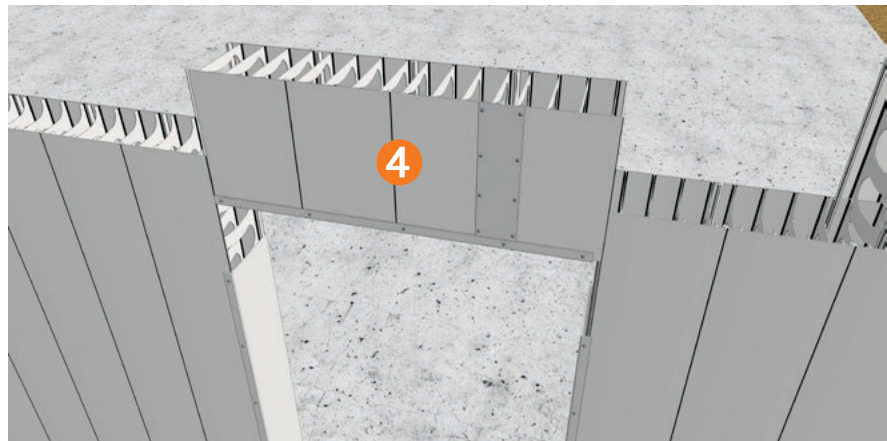


**3** Assemble the lintel section separately. Fit End Cap to the bottom of the lintel panels and screw fix on each side of the wall at 150mm centres. Cut End Cap to allow for interlocking with adjoining panels on both ends. H-Joiners may be inserted to make up the correct distance and screw fixed at 150mm centres to both adjoining panels.

**4** Slide the lintel assembly into position and screw fix in place at each end of the lintel and on both sides of the wall at 150mm centres.

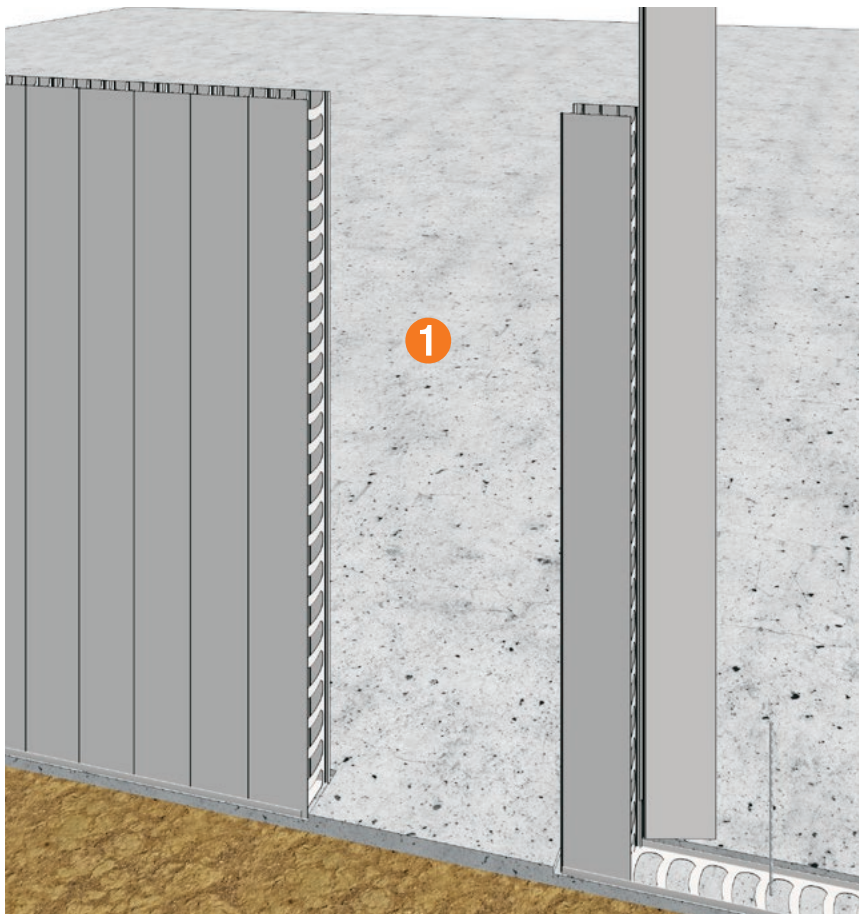
**5** Trim the sill panels to create a 5° fall to the outside face of the wall.

**6** After core filling, remove end caps as per architectural details.





## Doorway & Lintel Installation



### Doorway with PVC Capping

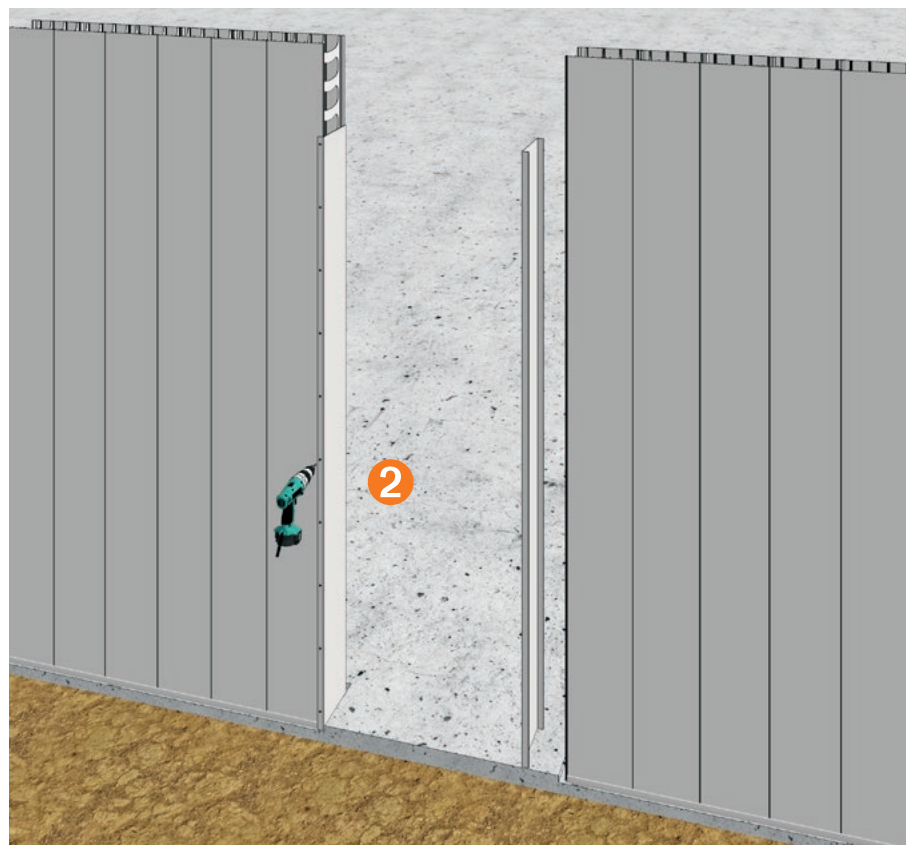
Rediwall® PVC end cap is used for closing off at the base of lintels and at the sides of openings. Doorways can be built into the wall or cut out of the installed panels.

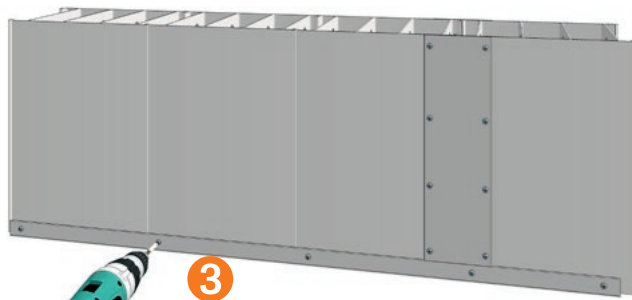
It is imperative that all lintels and openings are provided with sufficient support to withstand the weight of concrete prior to core filling.

**WARNING:** All openings are to be braced. Refer to the bracing section for details.

**1** Install wall panels as per site plan. AFS recommends installing at least three panels on each side of the opening as per normal panel installation.

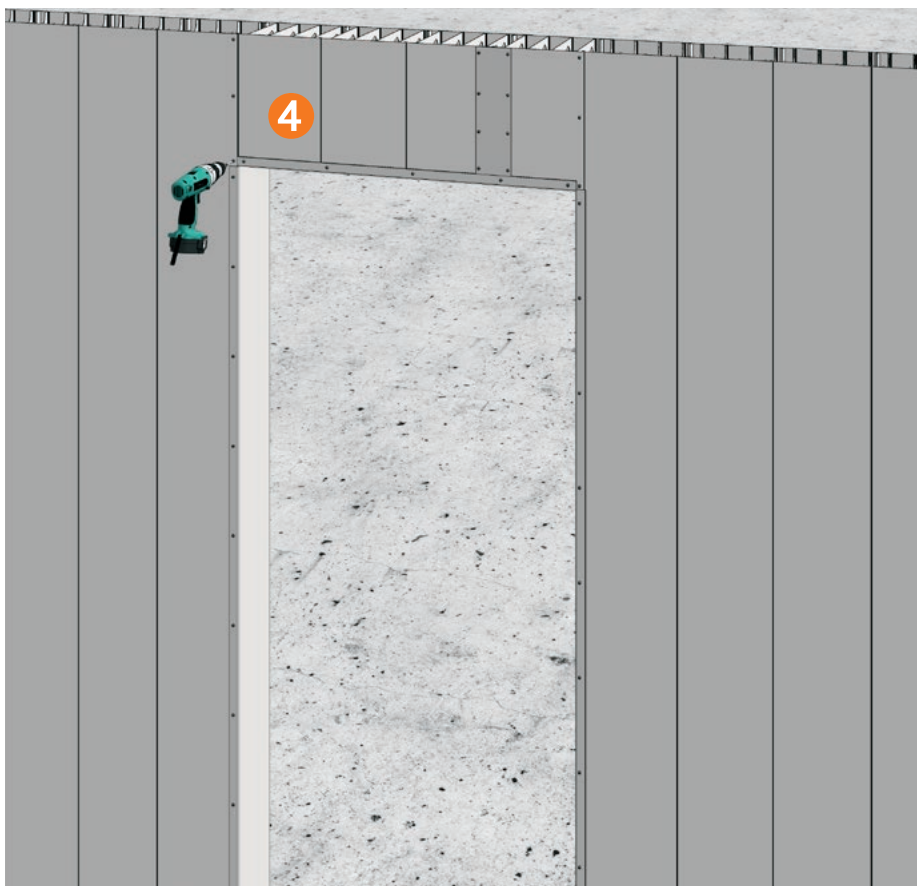
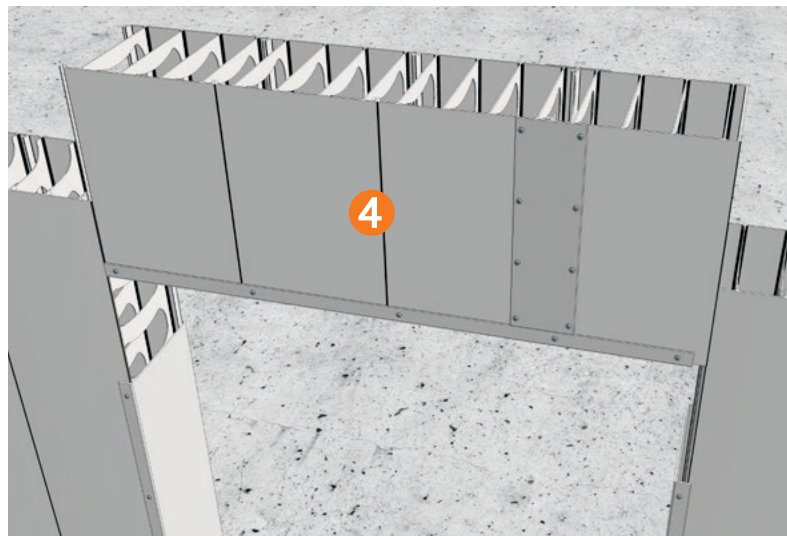
**2** Install End Cap to the sides of the opening to the required height and screw fix to both sides of the wall at 150mm centres.



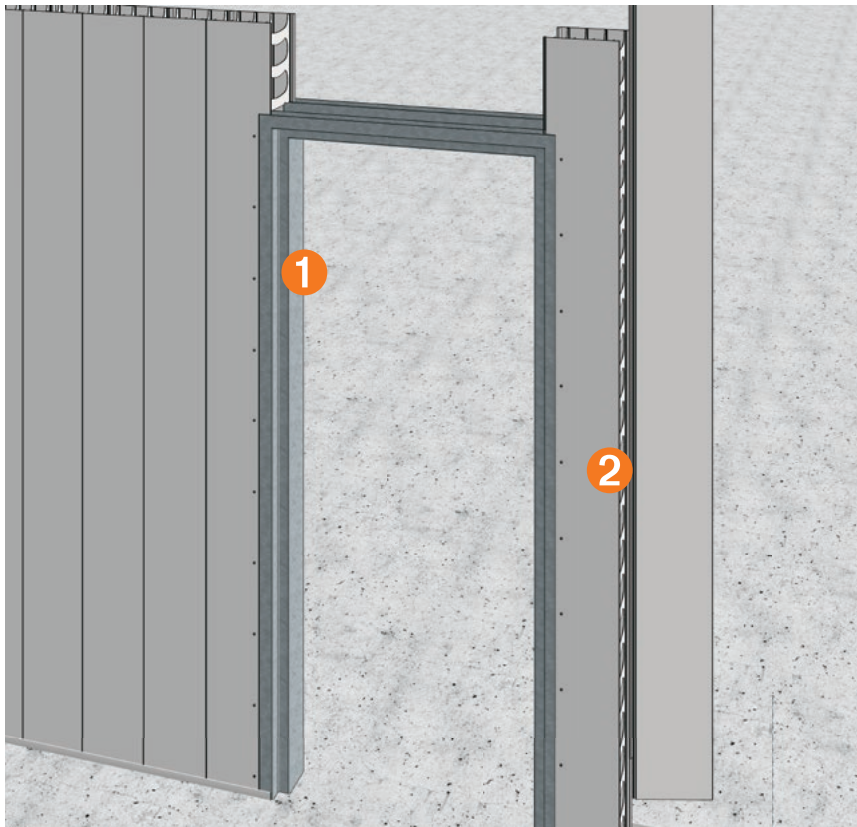


- 3** Assemble the lintel section separately. Fit End Cap to the bottom of the lintel panels and screw fix on each side of the wall at 150mm centres. Cut End Cap to allow for interlocking with adjoining panels on both ends. H-Joiners may be inserted to make up the correct distance and screw fixed at 150mm centres to both adjoining panels.

- 4** Slide the lintel assembly into position and screw fix in place on both sides of the wall and at each end of the lintel at 150mm centres.



## Doorway with Steel Frame (Internal Fit Jamb)



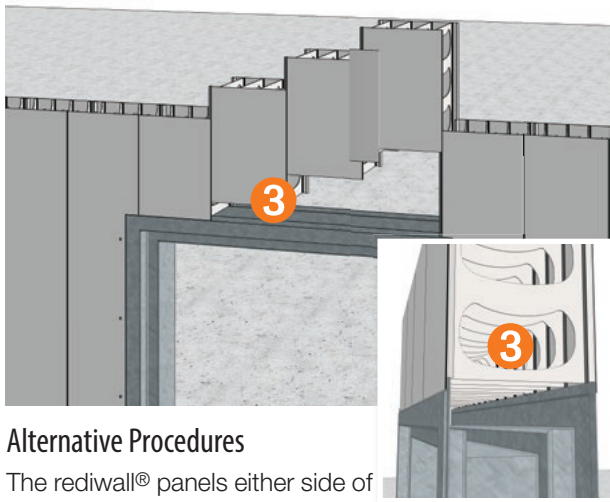
**WARNING:** All openings are to be braced. Refer to the Bracing section on for details.

**1** Where a metal door frame is to be fitted, the frame is slid into position with the door jamb member inside the rediwall® panel flange. Removal of some of the PVC clip profile may be required to ensure a proper fit. Screw fix at 150mm centres on both sides of the wall.

**2** The next full size rediwall® panel is then placed and engaged in the door jamb member. Screw fix at 150mm centres on both sides of the wall.

**3** Lintel sections are then slid into place above the door frame. Fix in place on both sides of the wall and at each end of the lintel using screws at 150mm centres. Removal

or slitting of the panel webs may be required to ensure correct fit.



### Alternative Procedures

The rediwall® panels either side of the doorway are fixed into position, plumbed and braced (ensuring the opening between them is accurate for the frame). The frame can then be lowered between the panels. The lintel panel is pre-assembled on-site and lowered into position, engaging into the panels on both ends and dropping down into the head of the door frame.

### Retro-fitted Doors

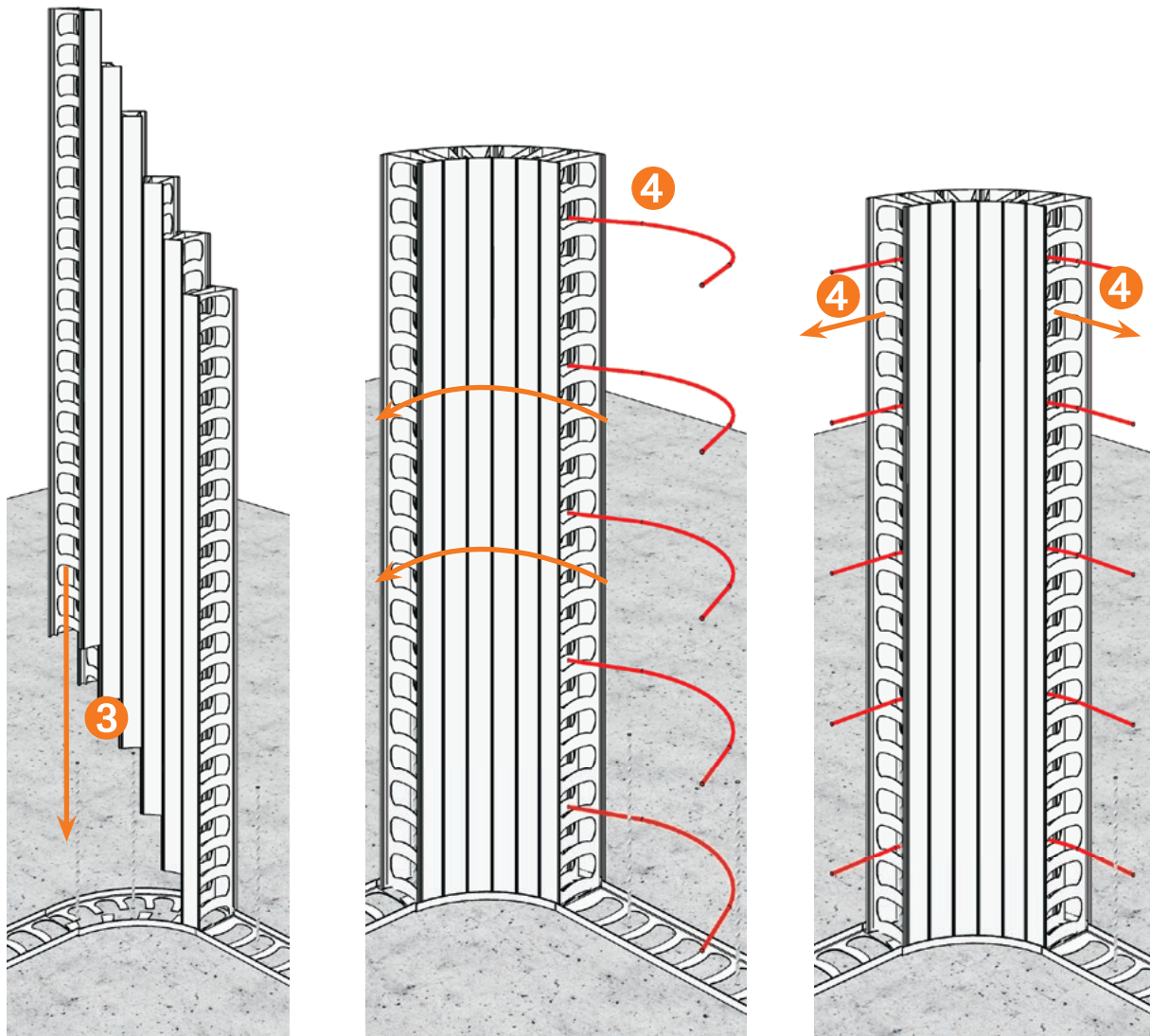
Where a doorway is to be retro-fitted with a door frame, the opening is constructed, capped and braced as for a window opening but without any sill panel.



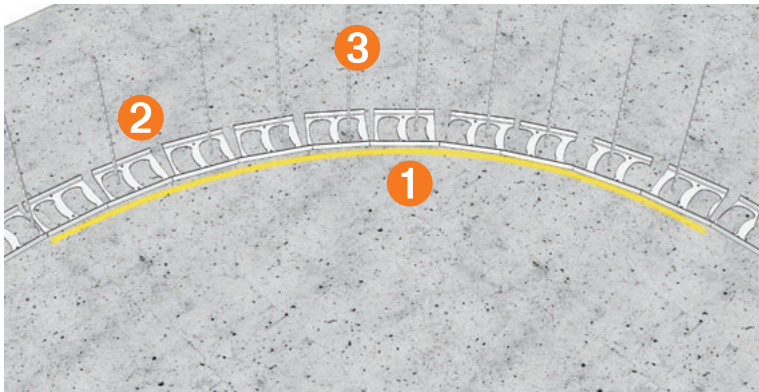
## RW200C 15° Panel – Curved Wall Installation

### Curved walls

- 1 Mark inner radius of the curved wall on the slab or footing.
- 2 Cut the floor track down the middle and bend the track to suit both the inner and outer radius of the curve. Secure in place using a masonry fixing gun or drill and anchor masonry fixing system each side of the track.
- 3 Lower the curved panels into position. Fix each panel to the floor track.
- 4 Install pre-curved reinforcement bars into the curved wall and locate the bars to allow standard lapping of horizontal reinforcement with any adjoining walls. It may be necessary to install further wall panels before installing the curved reinforcement due to reinforcement/panel interference.

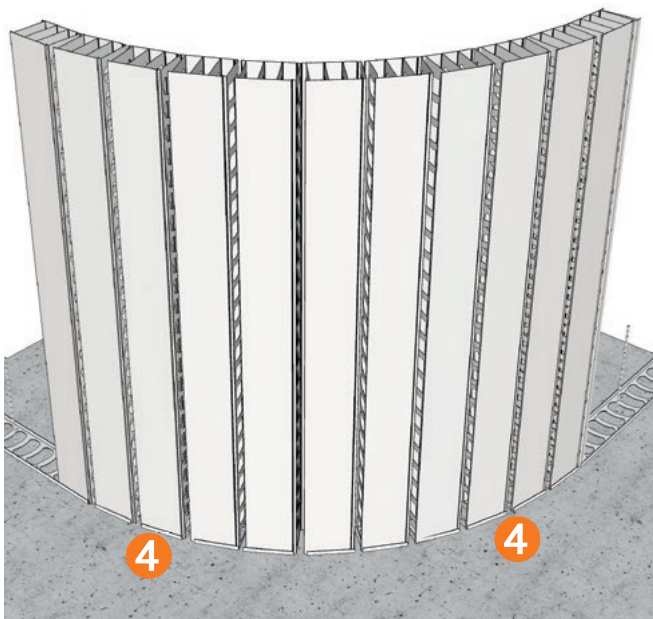


## Wide Radius Curved Wall Installation



### Curved walls

- 1** Mark inner radius of the curved wall on the slab or footing.
- 2** Slit the floor track on one side only (the convex side of the curve) to allow the floor track to be bent to the shape of the curve.
- 3** Lower the floor track over the starter bars and place into position to the radius required. Fix each track section to the concrete footing or slab using a masonry fixing gun or drill and anchor masonry fixing system each side of the track.



- 4** Begin by installing standard panels into the floor track and screw fix both sides of the bottom of the panel to the floor track at 150mm centres.

- 5** Using H-Joiners as spacers, slide them in between the joins and screw fix them both sides to each panel at 150mm centres to cover a maximum opening of 50mm (38mm for RW200) per joint.

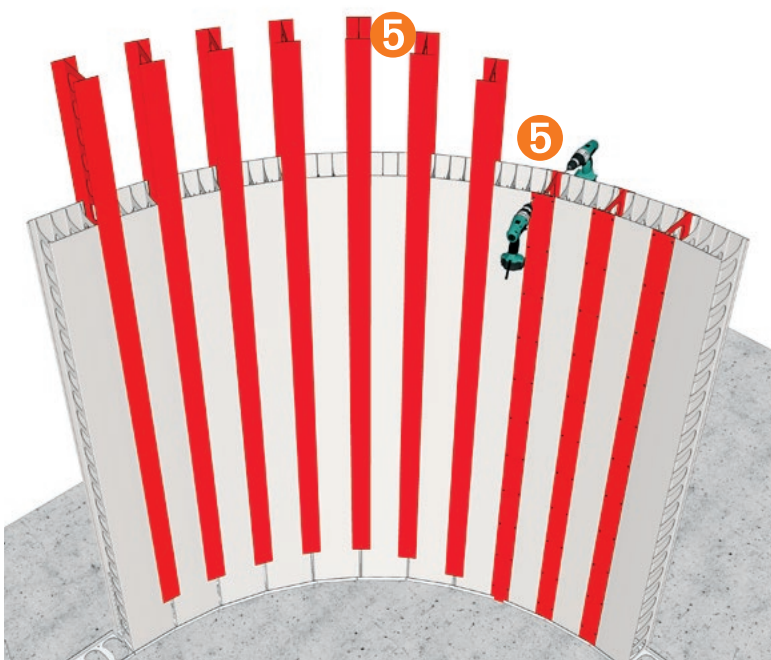
### Alternative Procedures

For walls with a large radius (radius greater than 5m), the panels may be installed to follow the floor track curve without panel modification or any additional components.

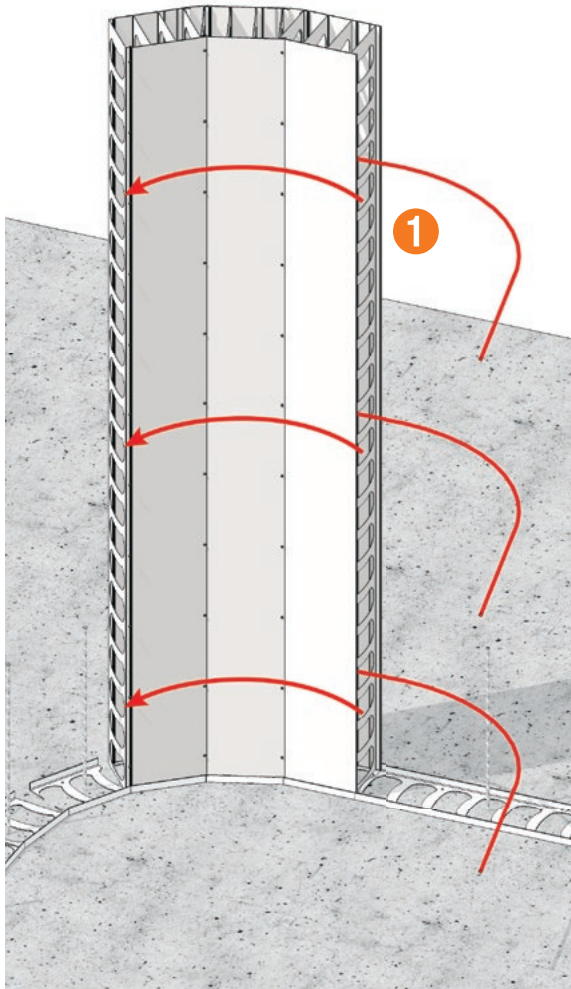
After installing the curved floor track, continue the wall by erecting panels in place allowing a small direction change in each wall segment. Screw fix panels to the floor track as erection proceeds.

**WARNING:** Refer to the Bracing section for details.

Additional treatment may be required for a waterproof solution refer to the project engineers for details.



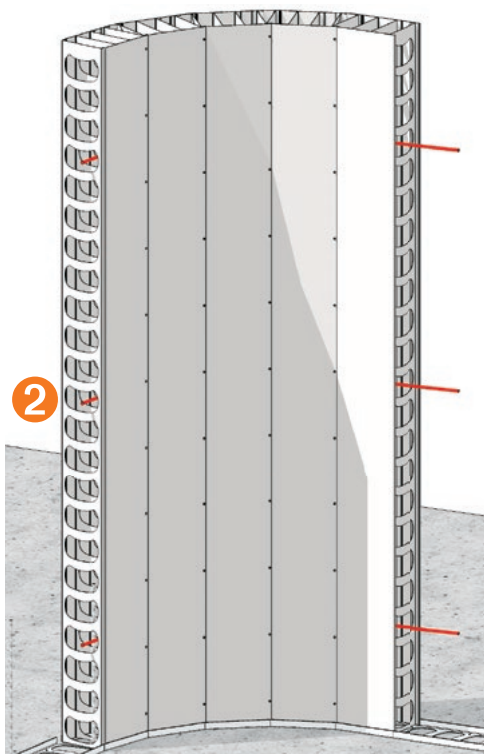
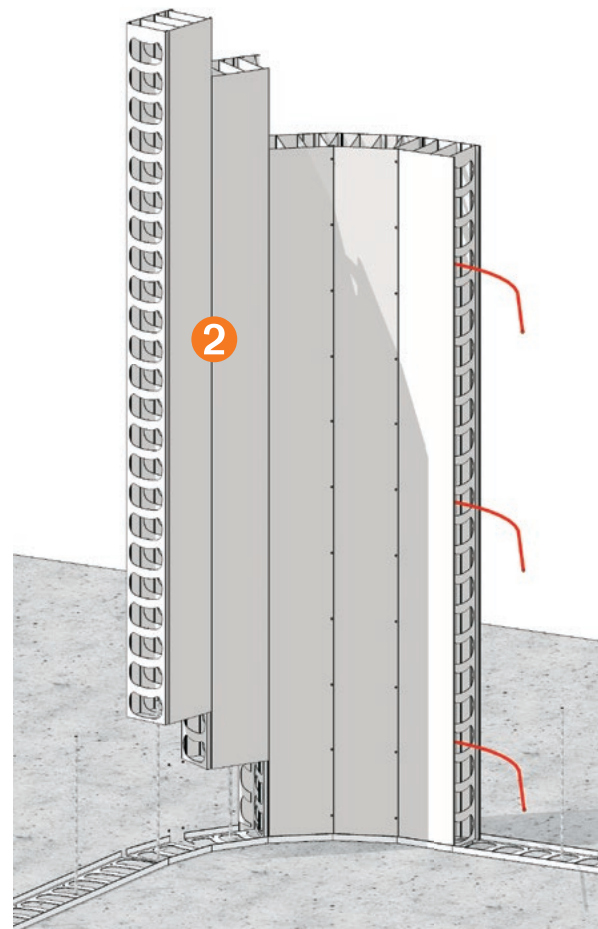
## Curved Wall Reinforcement Bar Installation



### Installing Pre-curved Bars

If reinforcing bar is to be installed it can be pre-ordered bent to the required radius.

- 1** For wide radius curves – pre-bent reinforcing can be installed from one end of the wall as the panels are being installed.
- 2** Install 1 or 2 more panels on the curve and feed the pre-bent reinforcing into the last installed panel. Continue this procedure until the curve is complete.



### Alternative Installation

On long curves and tight radius curves where it not possible to insert one long length of reinforcing bar, the bar can be installed in shorter lengths as the panels are being installed.

At junctions with straight walls and where more than one length of reinforcing is being used in curved wall sections, it is important to ensure appropriate lapping of the bars is being achieved, in accordance with Project Engineer's specifications.

## Stairway Landing Construction

### Stairs

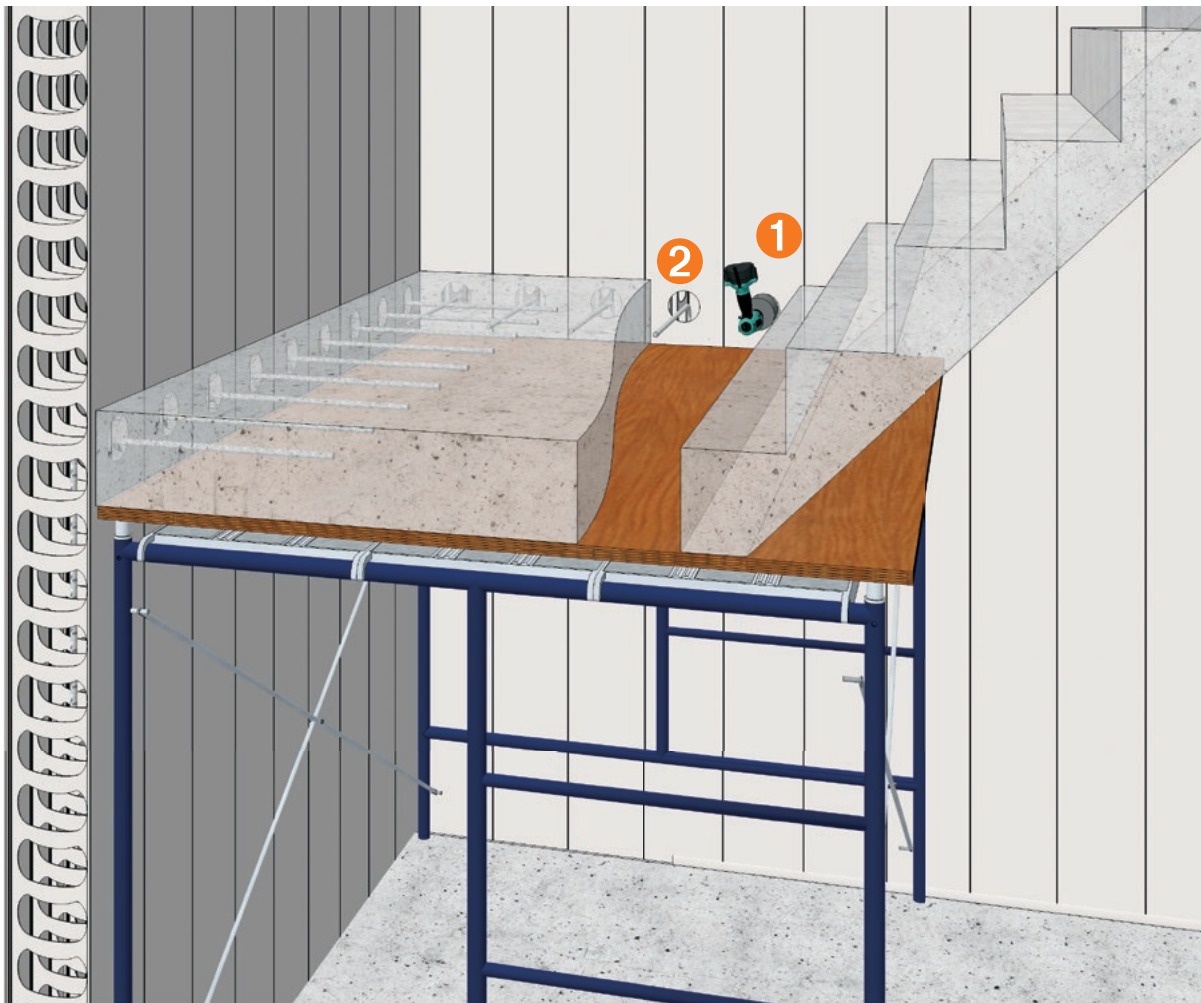
**WARNING:** Where rediwall® panels are to be engaged with a landing or stairs, care is to be taken when creating openings in the rediwall® panel face to ensure that the web inside is not damaged causing the panels to be weakened.

Additional bracing support should be provided as per details in the Bracing section of this guide

**1** Engagement of the wall and adjoining structure can be achieved by cutting holes in the rediwall® face to install reinforcing bars. Use a hole saw as per Structural Engineer's details (100mm maximum diameter).

**2** Insert the required reinforcement steel as per the Structural Engineer's details.

**NOTE:** Formwork and bracing for stairs and landings is the responsibility of the site builder and engineer. Additional bracing may be required where suspended slab is tied in.



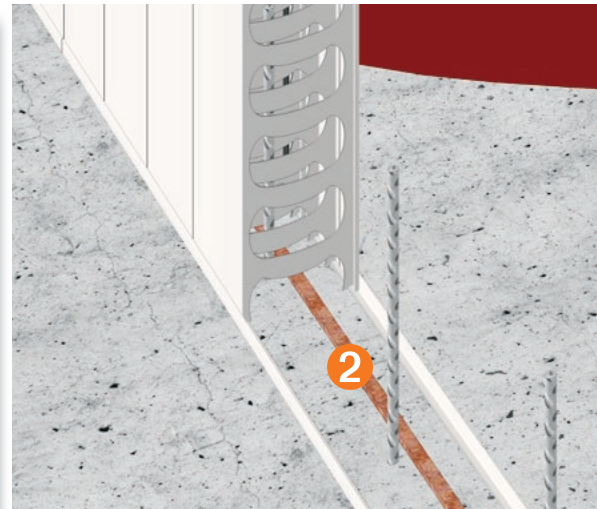
## Retention Tank Construction & Tanking

All waterproofing details are to be completed by the Project Builder and Waterproofing Contractor, in conjunction with the project engineer's details. When filled with concrete, rediwall® is a water resistant wall system. However specific areas requiring waterproofing details include horizontal concrete cold joints, and where water can track down along panel joints.

Any required waterproofing products must be installed strictly in accordance with the particular manufacturer's instructions.

**1** Determine the line of the rediwall® panels on the slab and install PVC floor track with centre cut out to accommodate waterstop. Mechanically fix the angle to the slab at 450mm centres.

**2** Install Waterstop to manufacturer's instructions, maintaining a continuous seal. Refer to the project building designer for details on Waterstop performance and installation requirements. Ensure that the water stop remains unobstructed through the rediwall® profiles and that it is not cut by the internal webs.

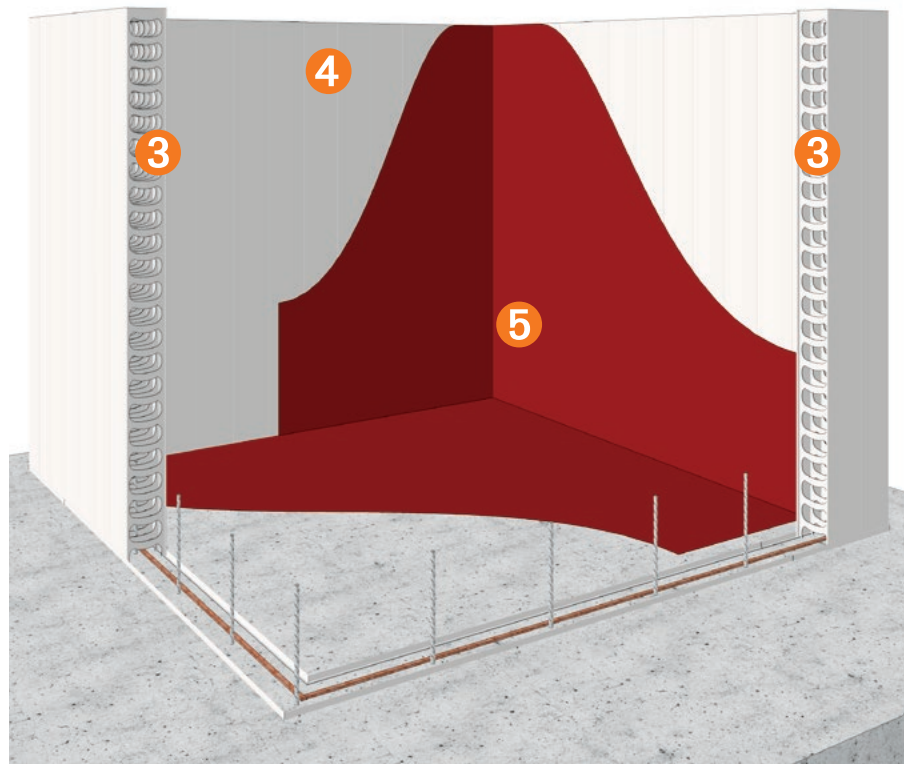


**3** Install the remaining rediwall® panels as per the standard installation method. Complete the tank with the required steel reinforcing as per Engineer's details.

**4** Core fill with concrete following the AFS recommended guidelines.

**5** A waterproof tanking finish is required. Apply tanking (supplied by others) as per the Engineer's details.

Note: The structure must be fully braced on both faces before concrete filling. Refer to the Bracing section for details.





## Lift Pit

All waterproofing details are to be completed by the Project Builder and Waterproofing Contractor in conjunction with the project engineer's details. When filled with concrete, rediwall® is a water resistant wall system. However specific areas requiring waterproofing details include horizontal concrete cold joints, and where water can track down along panel joints. Any required waterproofing products must be installed strictly in accordance with the particular manufacturer's instructions.

**1** A waterproof tanking finish is required. Apply tanking

(supplied by others) as per the Engineer's details.

**2** Determine the line of the rediwall® panels on the slab and install PVC floor track with centre cut out to accommodate waterstop. Mechanically fix the angle to the slab at 500 – 600mm centres.

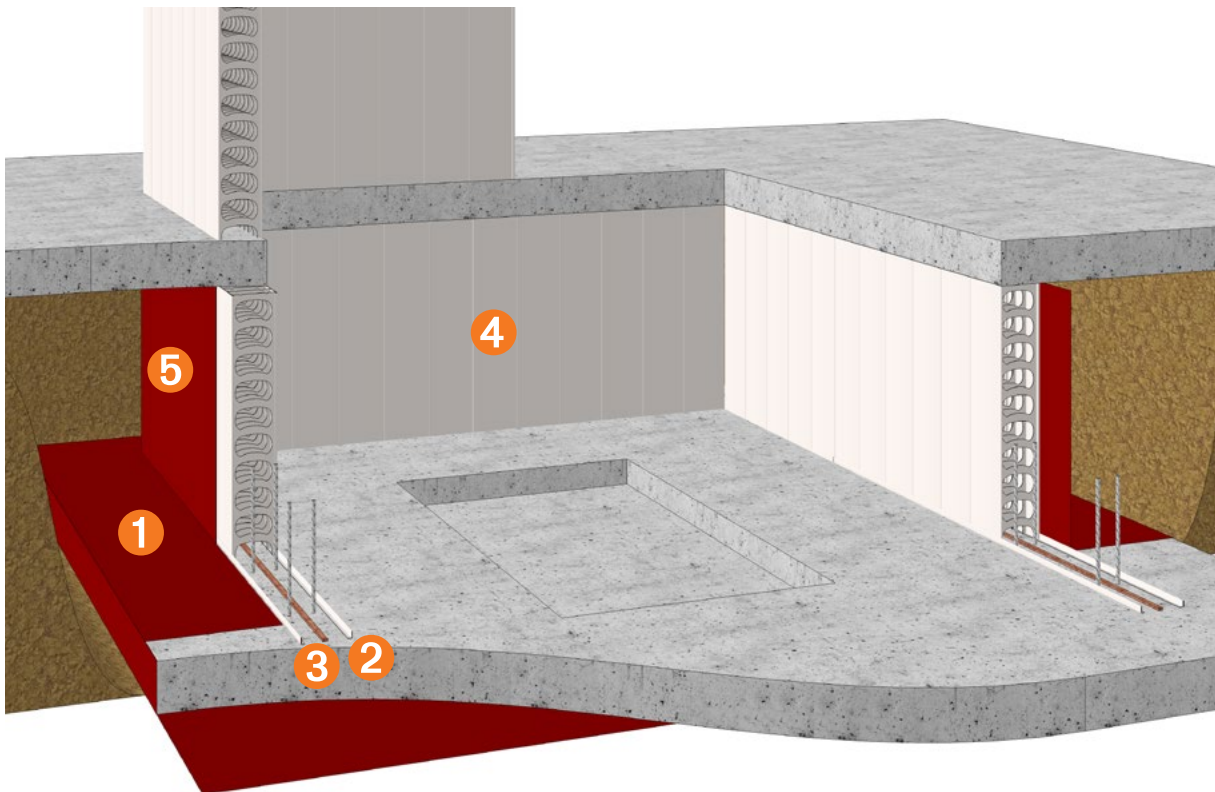
**3** Install Waterstop to manufacturer's instructions, maintaining a continuous seal. Refer to the project building designer for details on Waterstop performance and installation requirements. Ensure that the water stop remains unobstructed through the rediwall®

profiles and that it is not cut by the internal webs.

**4** Install the remaining rediwall® panels as per the standard installation method. Core fill with concrete following the AFS recommended guidelines.

**5** Complete the waterproof tanking as required (supplied by others) as per the Engineer's details.

Note: The structure must be fully braced on both faces before concrete filling. Refer to the Bracing section for details.



## Installation of Services

### Services Within Walls

Placement of electrical and data services within the afs rediwall® panel must take place between installation of wall panels and prior to concrete core filling. AFS does not recommend placement of high pressure services such as water or gas lines inside the wall panels.

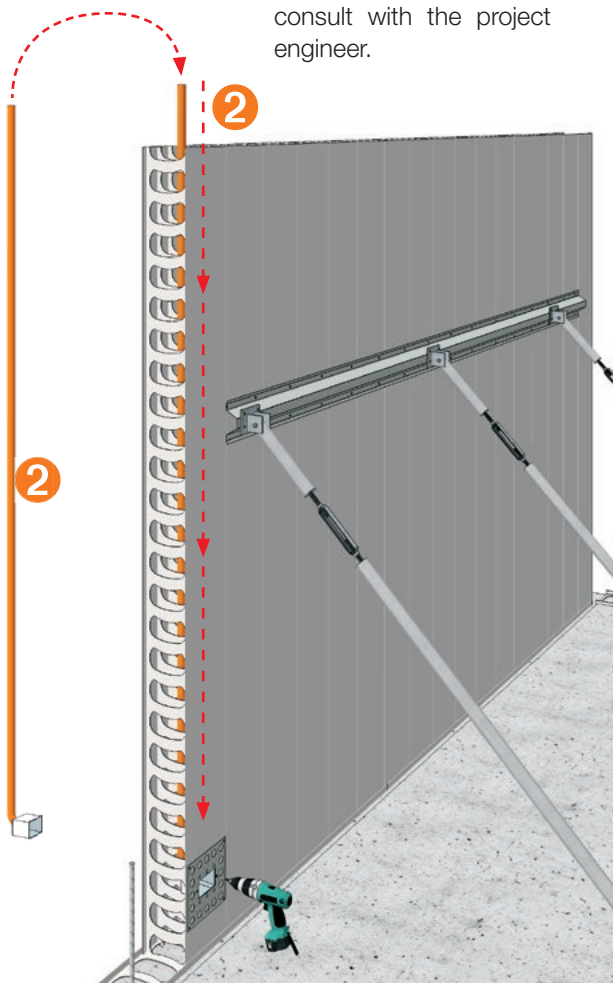
Consideration should be made for the impact to acoustic performance of the wall due to service cast ins.

**1** Cut a hole at the required location for the service box.

**2** Insert the pre assembled conduit and service box.

**3** Screw fix the service box in place using a plaster bracket or similar. A screw is to be placed through the conduit to ensure that it does not dislodge from the wall box.

Note: Ensure service box locations do not interfere with the reinforcement, consult with the project engineer.



## Penetrations

### Non Fire Rated Service Penetrations

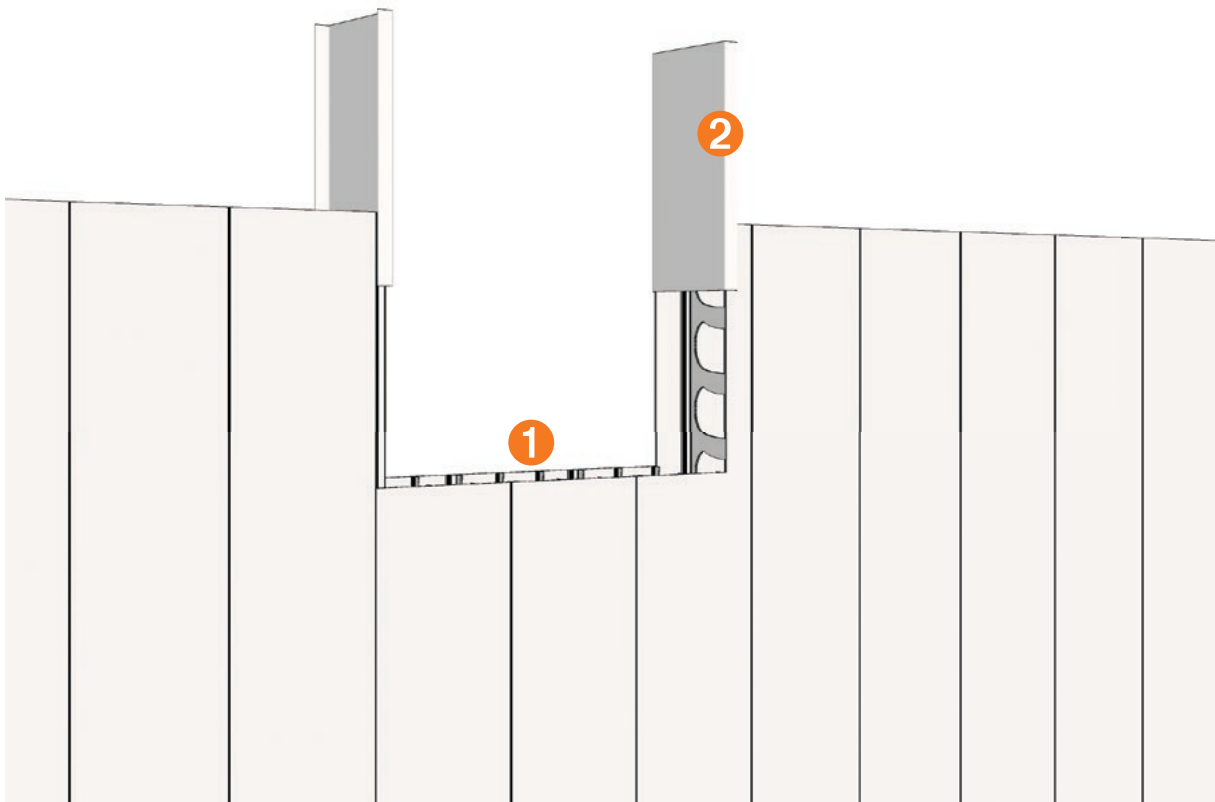
Penetrations for services and mechanical requirements may be cut on-site prior to core filling.

Alternatively, services penetrations may be cut/core drilled after core filling.

Refer to project specifications for details.

#### Rectangular Openings

- 1** Neatly cut out the required section from the assembled rediwall® panels.
- 2** Install End Cap to the reveals of the opening, and screw fix at 150mm centres on each side of the wall.



## Fire Rated Service Penetrations

Installation of a fire rated service penetrations into rediwall® can be performed without the removal of the PVC facing beyond the extent of the penetration opening. The installation of fire collars, or use of fire rated sealants, or fire dampers or brick infills can be used. AFS Rediwall® has been fire tested and assessed by CSIRO to AS1530.4 with various service penetration types through the rediwall® walls and shown to achieve FRL's up to:

- Cable tray: FRL –/120/120
- PVC piping, –/120/120
- Electrical cables (single or bundled): FRL –/120/120
- Copper and metal piping: FRL –/120/120
- Clay brick infill: FRL –/120/120
- Fire damper: FRL –/120/– (integrity)

For details of the above service penetration arrangements, installation and compliance requirements to CSIRO AS1530.4 testing of assessment , Refer to Volume 1 – Design, Performance and Compliance Guide service penetrations, as well as compatible fire protection system manufacturer's specification and installation requirements.

# Rediwall® Temporary Construction Bracing

## Introduction

Rediwall® requires temporary bracing for lateral stability during installation and core filling. The temporary bracing must withstand wind and other temporary construction loads that may occur during erection of the components, during placement of the concrete and until installation of the permanent floor and/or roof members that provide a lateral load resisting diaphragm.

The bracing requirements for rediwall® are to be determined based on the wall thickness, the wall height, the wall layout, the presence of permanent or temporary framing (girts, columns, roof, etc.), and the wall erection method, which is either by installing off a formwork deck or from scaffolding, or off slab or footing.

Also, the wall bracing scheme and technique depend on the specific site climatic conditions, soil and foundation conditions, material availability, location wind loads, BCA and site specific requirements.

It is highly recommended that the Project Engineer or Contractor be contacted to perform the bracing calculations and drawings based on the specific site conditions and wall layouts.

AFS has certified standard bracing available for use, please refer to Volume 1 – "Design Performance & Compliance Guide" temporary works section for more details of the AFS standard bracing system and certification. Alternative details can be prepared by an Engineer or Contractor.

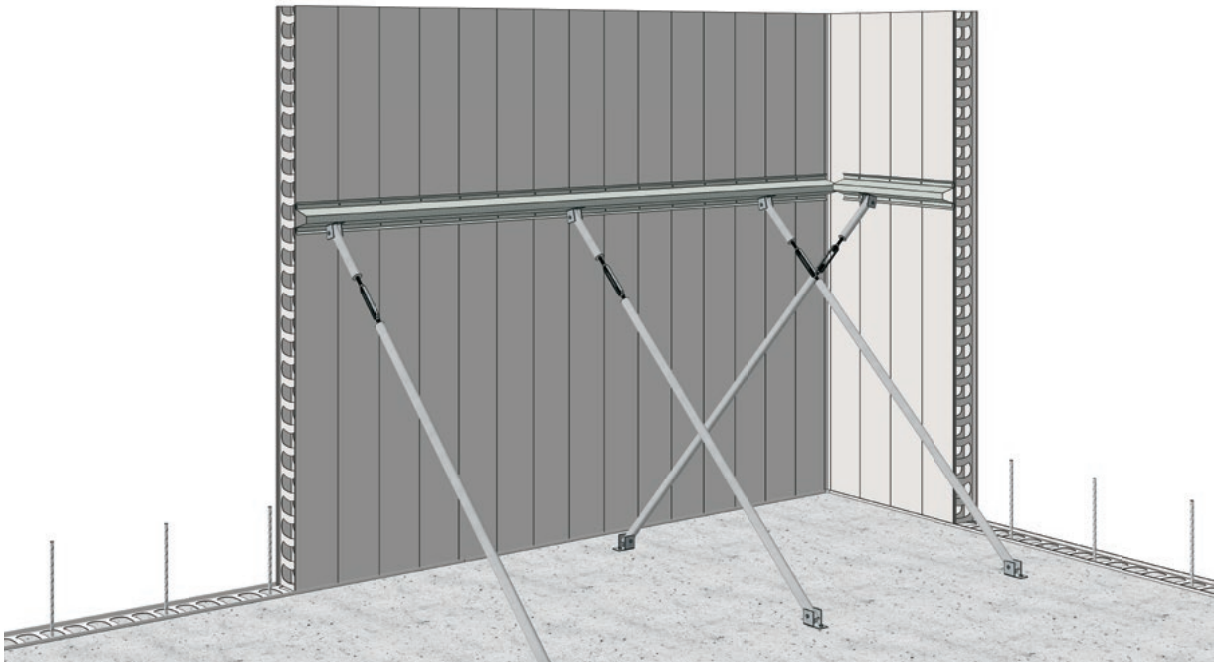
The wind loadings are to be calculated in accordance with relevant applicable Building Codes, and with the appropriate reduction factor for temporary bracing.

The rediwall® components provide permanent formwork for both faces of a wall and include integral internal webs to hold the two faces together during concrete placement.

Rediwall® requires a horizontal whaler between braces to ensure straightness of rediwall® elements.

Bracing is also required for areas that are subject to unbalanced hydrostatic pressure during concrete placement. Typically, these areas include openings, corners, T-junctions and wall ends.

The bracing should be re-checked immediately prior to the placement of concrete to ensure that all members are properly installed and that the rediwall® components are correctly located, aligned plumbed and braced.



## Bracing of Walls to 3.3m Height

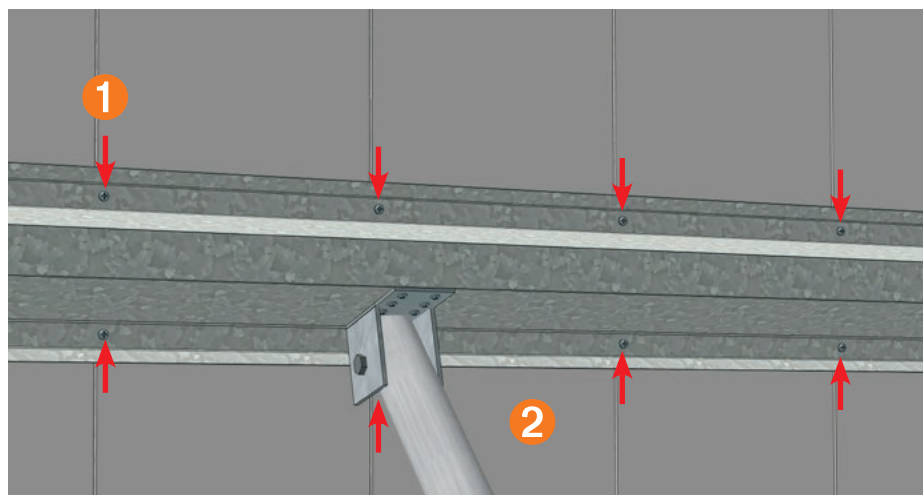
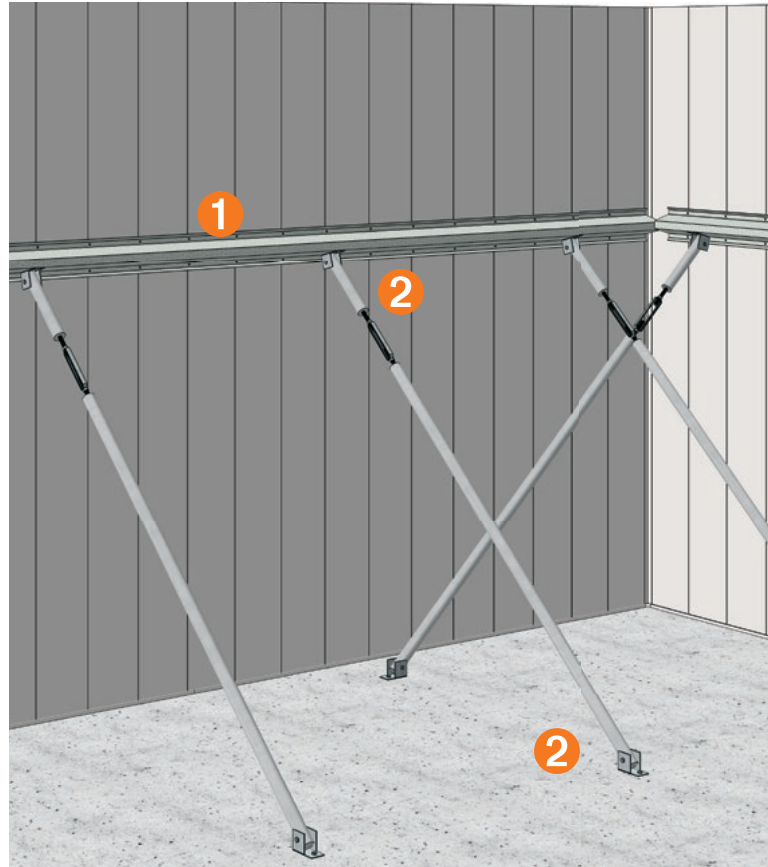
All rediwall® walls require horizontal bracing for lateral support prior to concrete pouring. This can be by attachment to a completed formwork deck or bracing struts secured to the panels and anchored to the slab.

For walls up to 3.3m height a continuous horizontal bracing member is required on one or both sides. The AFS standard bracing system has been designed and certified to cater for this configuration.

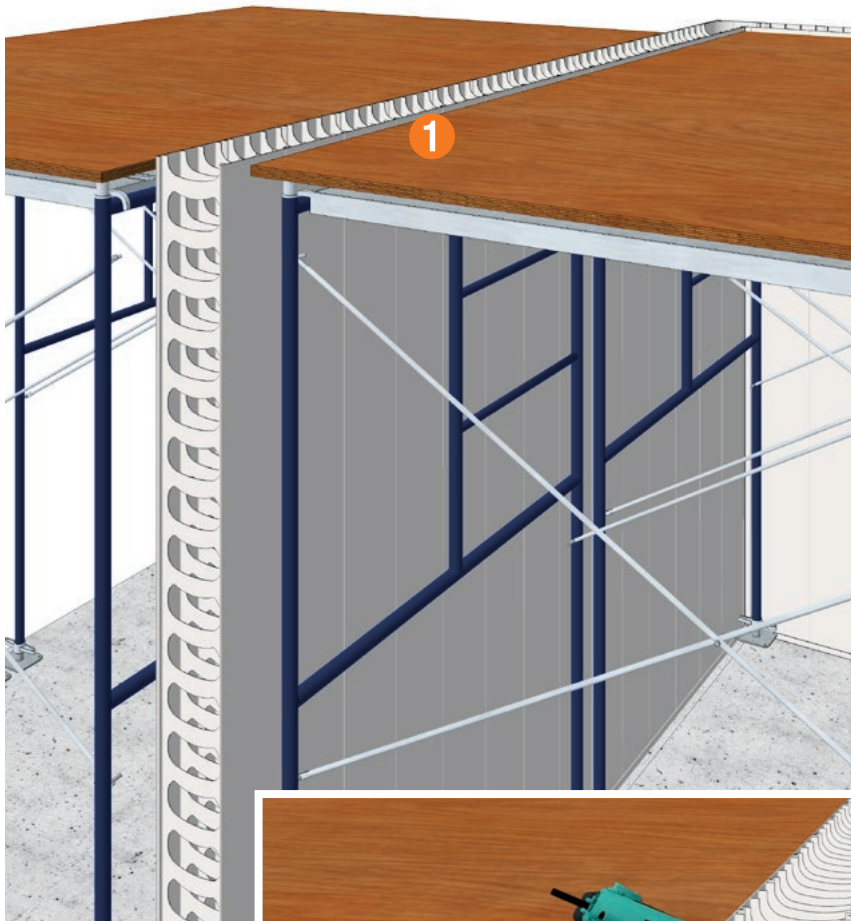
Site conditions such as high wind areas and work safety should be considered when bracing. Consult the Project Engineer for specific bracing requirements.

**1** AFS recommends that the horizontal brace Top Hat be attached in the top one third of the panel height or at the top of the panels. As a minimum, the bracing Top Hats should be screw fixed to each rediwall® panel with two screws at the panel joint location.

**2** The horizontal brace plate is to be connected to angled adjustable braces that are anchored to the slab or deadmen 1100mm apart. For walls over 3.3m contact the project manager or site engineer for details on bracing requirements.



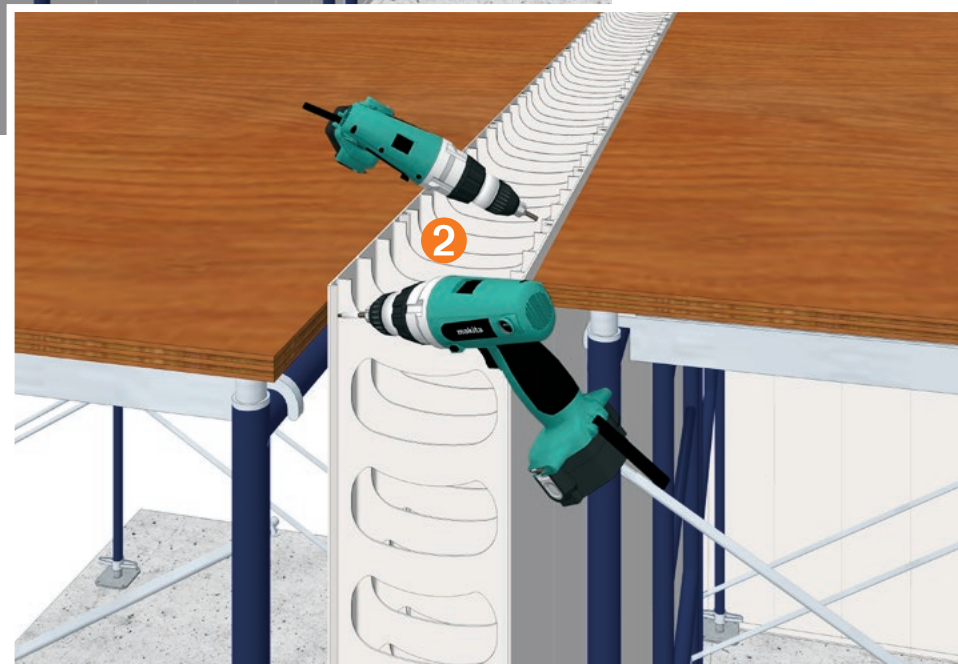
## Bracing from Formwork Deck



Rediwall® systems 3.3m or less in height that are being installed in conjunction with a formwork deck can be braced by being fixed directly into the form ply deck.

**1** Formwork decking should be constructed and independently braced before erection of the rediwall® panels. Ensure deck is secure and at the appropriate height.

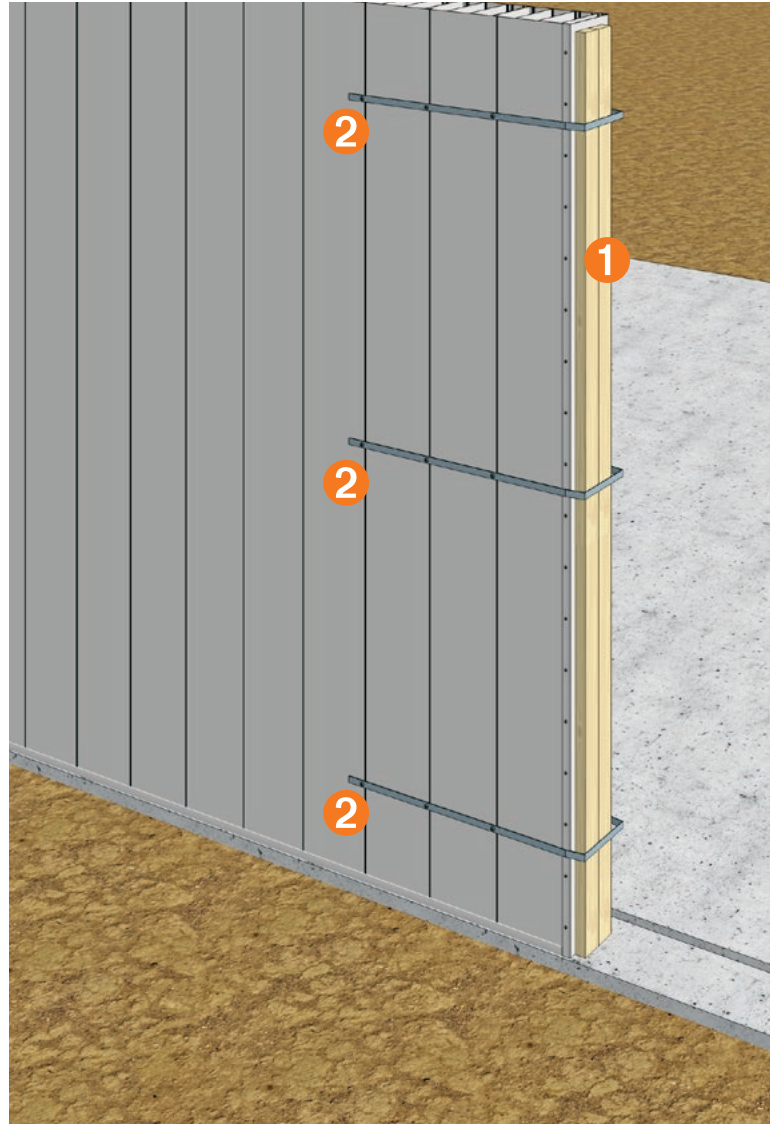
**2** Fix rediwall® panels to the formwork deck using appropriate fixings at each panel.



## Bracing End Caps

The ends of walls, wall corners and wall intersections will tend to move laterally as the concrete is cast. AFS recommends full height bracing to prevent bulging during concrete placement.

- 1** The vertical bracing timber shall be the full height of the wall, and is to be pressed firmly against the wall end cap.
- 2** The vertical bracing is to be anchored to the wall panels using hoop iron straps. The straps shall be located at a distance of 300mm maximum from the top and bottom of wall. The spacing between the straps shall not exceed 1500mm. Screw fix hoop iron straps to at least 3 panels at the joint location on both sides of the wall.

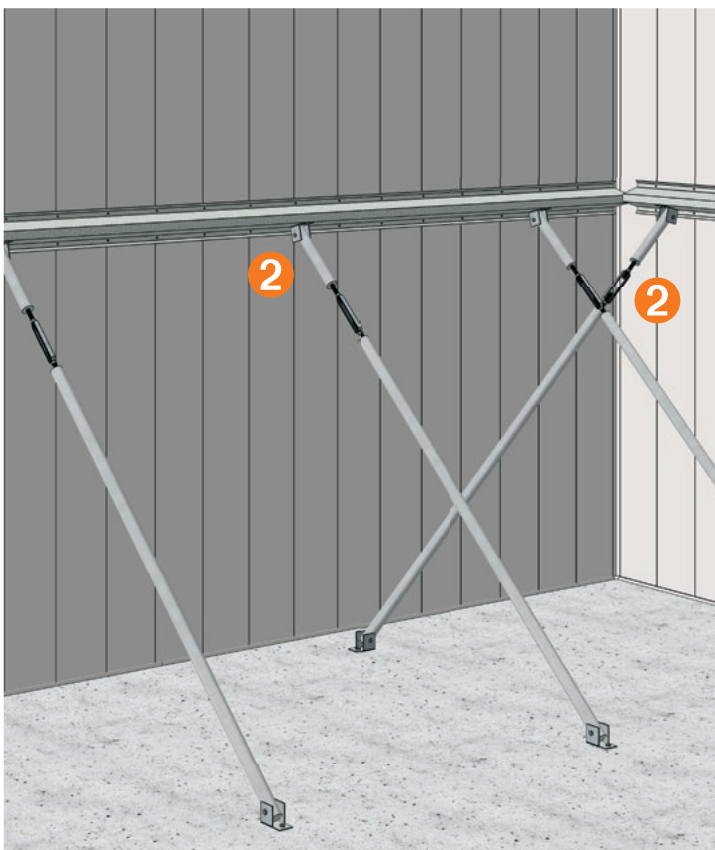
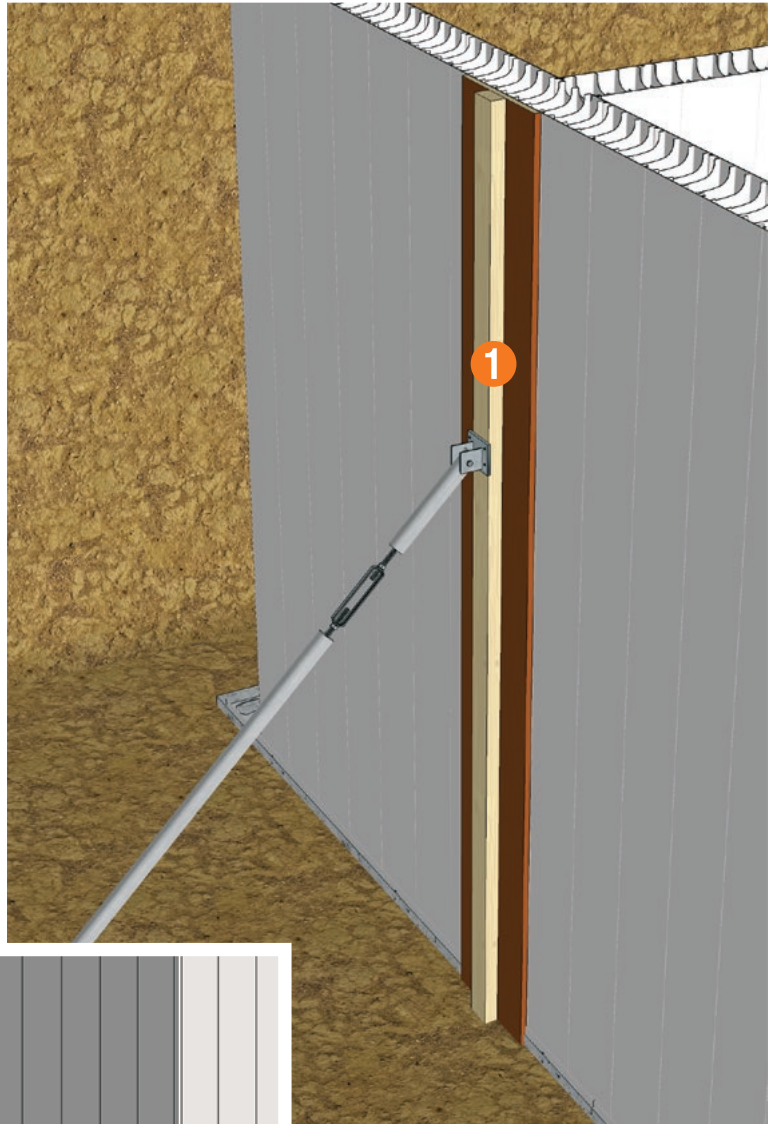




## Bracing of T-Junctions

Where a T-junction is made, the main wall shall be adequately propped on the opposite side and local to the T-junction. This bracing is required to contain any lateral forces when this section of the wall is filled with concrete and to avoid dislodgement. For a short T-wall or nib, the end of this short T-wall shall also be adequately propped to stop potential bulging of T-junctions.

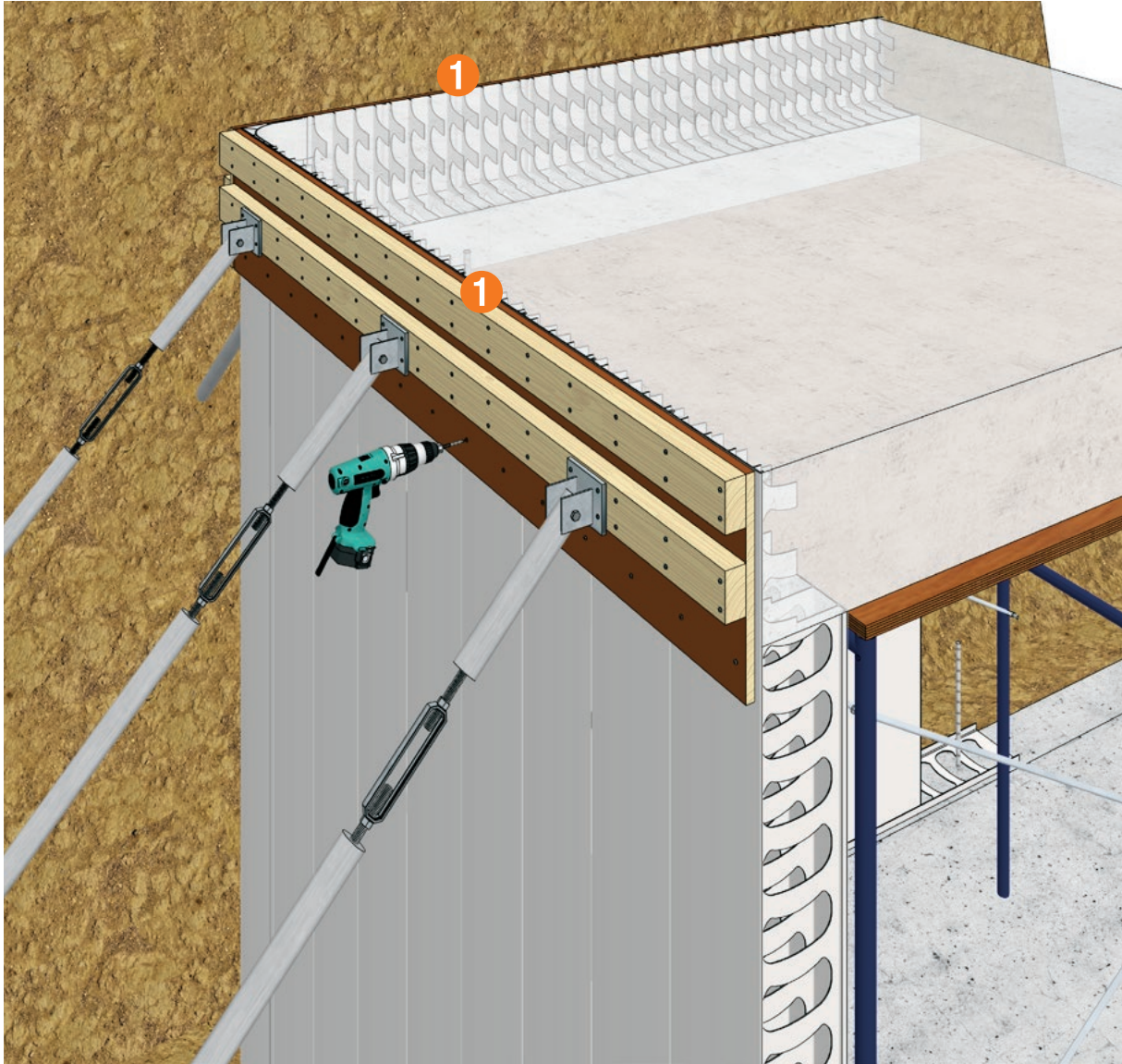
- 1 The external vertical bracing timber shall be the full height of the wall, and is to be pressed firmly against the wall opposite the T-junction. A backing plate of 19mm ply should be used with a width of a least 100mm overlap on either side of the panel junction width. For example RW200C requires an overall width of  $100+200+100=400\text{mm}$



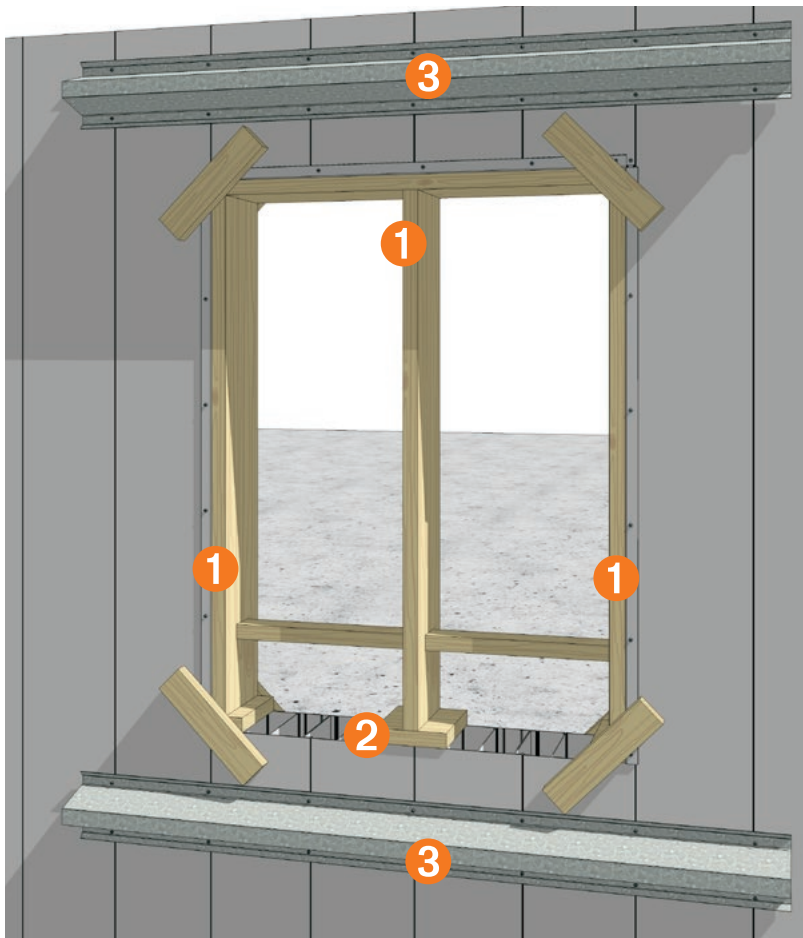
- 2 The internal bracing of the T-junction is to be in accordance with the standard bracing detail in this manual. All wall junctions must be braced.

## Bracing of Rediwall® Edge Form

- 1 Contact AFS for information on edge form bracing. Alternatively contact the consulting project engineer, contract formworker or principal building contractor for details.



## Bracing of Window Openings



Refer to construction details for sill and lintel panel installation.

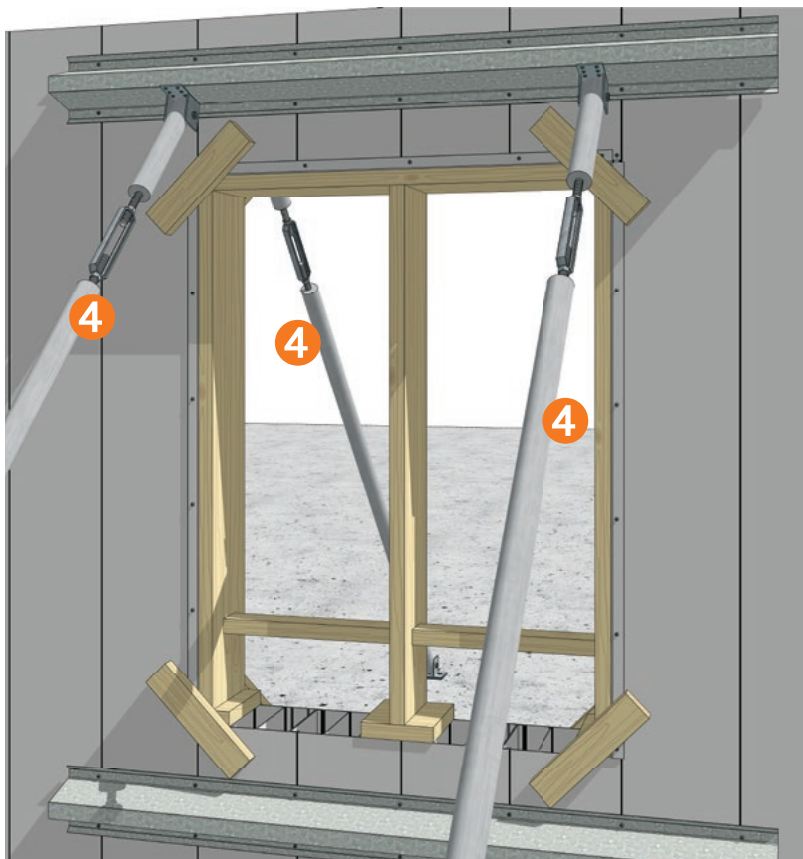
Openings can be distorted during the core filling process. AFS recommends that all openings be fully braced prior to core filling.

**1** Continuous timber caps are required at the top and sides of all openings to maintain a flat surface and to prevent the face of the opening from bowing due to the vertical and horizontal concrete pressure. Caps are typically formed using conventional timber framing. The cap may be connected to the rediwall® components to prevent separation of the wall panel from the cap.

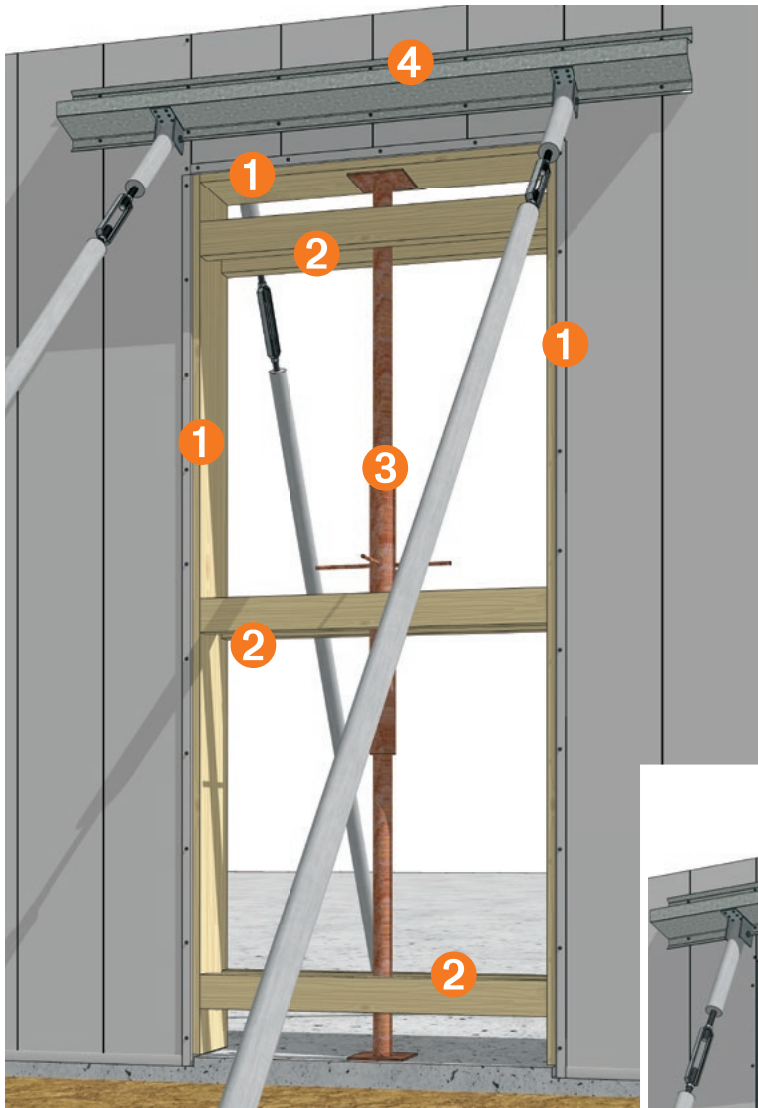
**2** All timber caps require vertical and horizontal struts to support the head and jambs respectively, to keep the opening square, to resist the concrete pressure and weight and to maintain the correct opening dimensions.

**3** The head and sill of openings more than 1.2m wide require a whaling plate on both faces of the wall to maintain a flat plane across the opening.

**4** The whaling plate is connected to angled braces (at 1100mm maximum horizontal spacings) anchored to deadmen or the floor slab, on both sides of the wall, in order to hold the opening plumb.



## Bracing of Doorway Openings



Refer to construction details for sill and lintel panel installation.

Openings can be distorted during the core filling process. AFS recommends that all opening to be fully braced prior to core filling.

### Bracing – Formed Doorways

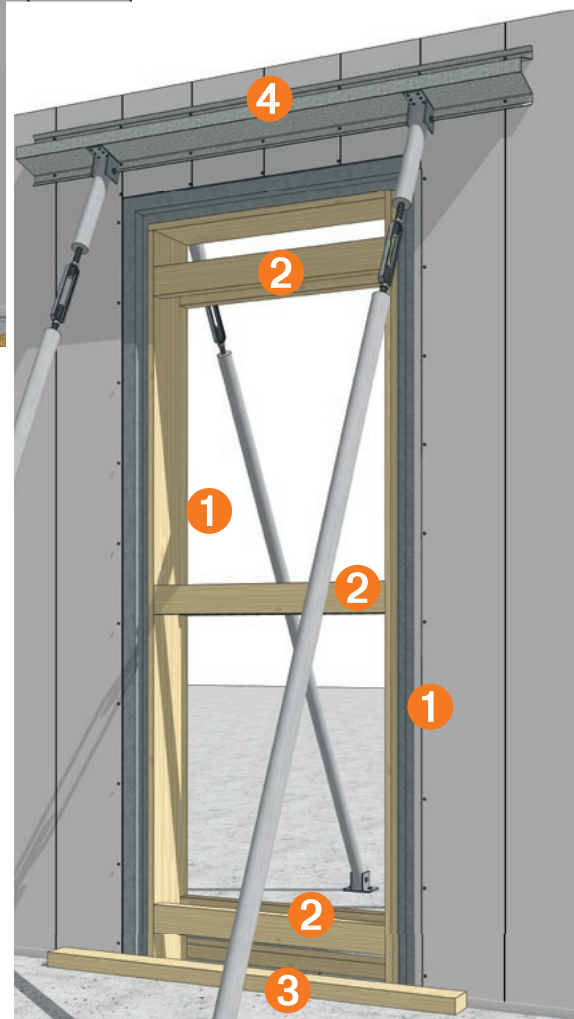
- 1 Brace sides and head of the opening to the full width of the wall with timber caps.
- 2 Install two parallel horizontal braces to the outer edges of the caps at the top, bottom and middle of the opening.
- 3 Install vertical shoring as required, (adjustable props may be used).
- 4 A whaling plate on both faces of the wall is connected to angled braces (at 1100mm maximum horizontal spacings) anchored to deadmen or the floor slab in order to hold the opening plumb.

### Bracing – Metal Framed Doorways

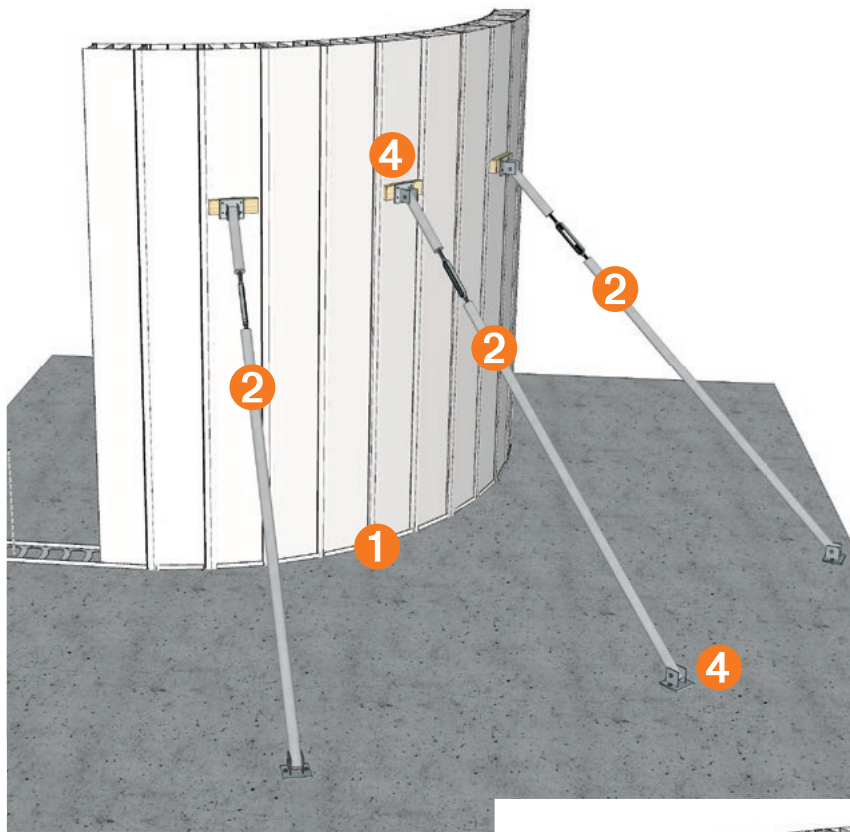
Built in metal door frames must be installed accurately and squared/plumbed correctly. Refer to construction details earlier in this manual.

They also require sufficient bracing to prevent distortion during concrete filling, which can be achieved by installing metal turnbuckle braces or timber bracing.

- 1 Brace sides of the opening to the full width of the wall with timber caps.
- 2 Install two parallel horizontal struts to the outer edges of the caps at the top, bottom and middle of the opening.
- 3 The bottom of the metal door must also be braced to prevent the door from skewing. Run a timber chocks along each side of the foot of the door frame and fix to the concrete slab.
- 4 A whaling plate on both faces of the wall is connected to angled braces (at 1100mm maximum horizontal spacings) anchored to deadmen or the floor slab in order to hold the opening plumb.



## Bracing of Wide Radius Curved Walls



- 1** Ensure that all panels have been screw fixed to the floor track, and that all H-Joiners have been screw fixed to their adjacent panels.
- 2** Bracing must be used on the outer radius of a curved wall. It is recommended that at a minimum, every third wall section be braced.
- 3** For the internal radius of a curved wall use the same bracing technique as for a standard wall. It is recommended that at a minimum, every third wall panel be braced.
- 4** Screw fix the brace to the horizontal support and then securely fix the brace to the slab or deadman.

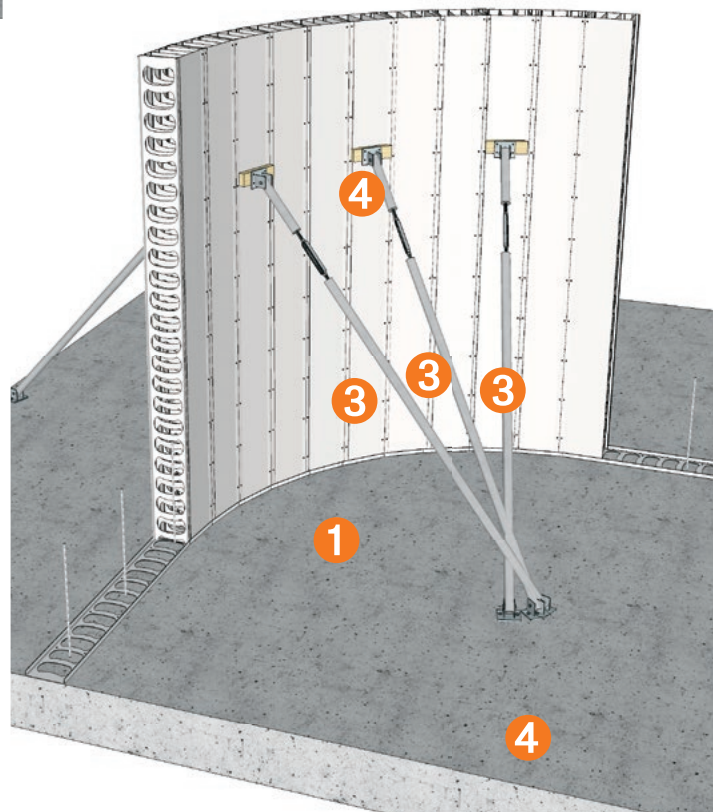
## Bracing of Tight Radius Curved Walls (not shown here)

Ensure that all panels are screw fixed to the floor track and that all H-Joiners have been screw fixed to their adjacent panels.

Bracing must be used on the outer radius of a curved wall. Each infill spacer must be braced for the full height using suitable formwork timbers erected vertically against the infill spacer and braced diagonally back to the slab or deadman.

For the internal radius of a curved wall use the same bracing technique as for a standard wall. It is recommended that at a minimum, every third wall panel be braced.

Screw fix the brace to the horizontal timber support and then securely fix the brace to the slab or deadman.



# Core Filling of Walls

## Introduction

AFS Rediwall® cannot be filled with concrete using traditional concrete mixes. The concrete mix and concrete placement technique is critical to the successful outcome of filling rediwall®.

AFS has carried out tests which achieved desired compaction and dense, homogeneous coverage of afs rediwall®.

This guide sets out the methods used by AFS to achieve suitable compaction.

The contractor or installer is responsible for achieving compaction and dense, homogeneous coverage of the concrete mix in rediwall®.

## Concrete Pour Limitations

When panel installation is complete and all appropriate bracing and checks completed, the walls can be filled with concrete.

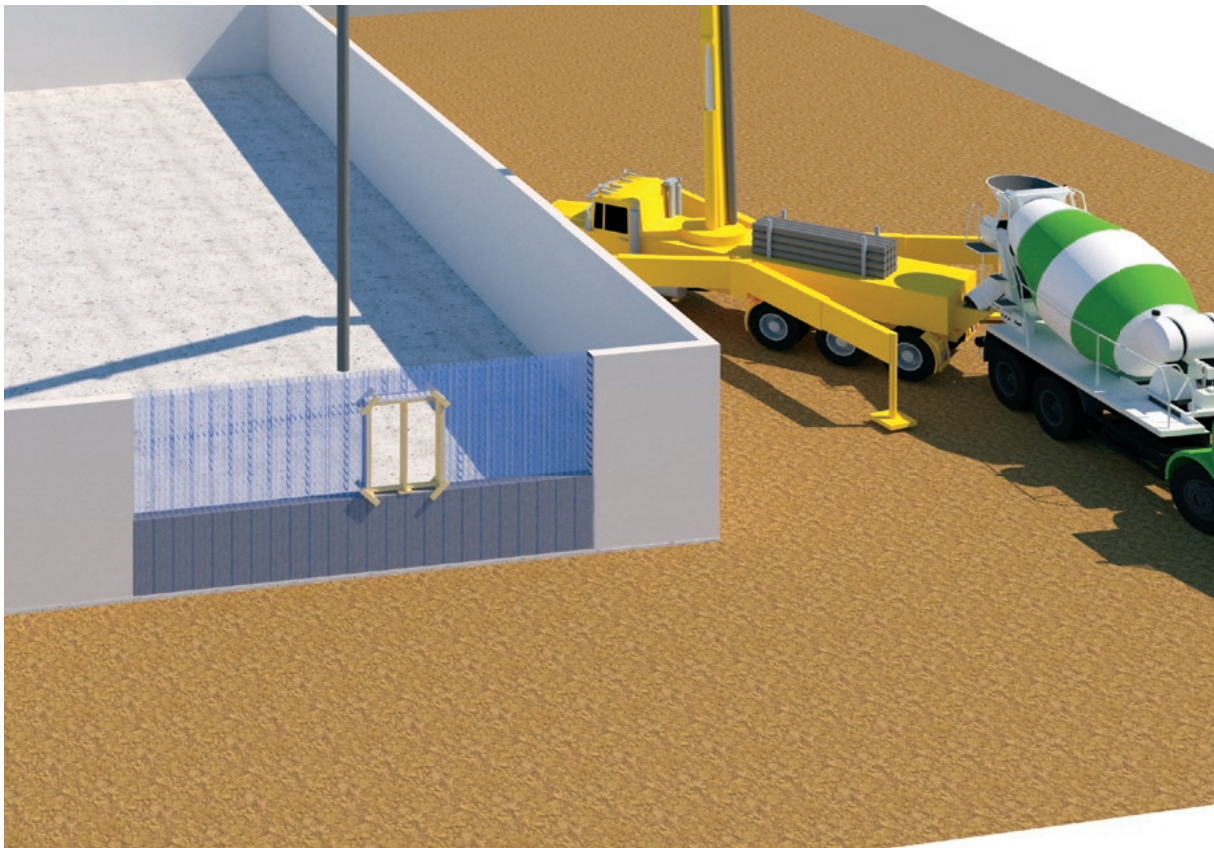
The quantity of concrete that can be poured in a day must be assessed and determined in consideration of the following factors:

- Ease of access
- Number of passes (or lifts) that are required
- Concrete gelling time between passes
- Consideration of wet weather

For wet weather, on-site conditions should be assessed and the concrete pour either be delayed or be undertaken with caution, applying measures to suit the given conditions.

## Additional Equipment Required for Concrete Pour

Prior to commencing a pour, ensure that a concrete vibrator with flexible shaft and 38mm head is ready for use, and that multiple shovels, trowels, screw guns, screws and at least one wheelbarrow are readily available.



## Number of Concrete Passes/Lifts Required

Walls up to 3 metres high can be filled in 2 passes/lifts with the first pass being to a maximum height of 1.2 – 1.5m. Walls from 3 – 6m should be filled in 3 – 4 passes with the first and second pass being to a maximum height of 1m each.

Allow at least 45minutes between passes for concrete to gel.

Higher concrete strength mixes will gel faster than low strength mix designs. These guidelines will vary according to site conditions, with the requirement of extra passes and extra gelling time in wet/cold weather. In cases of extreme weather the concrete pour should be postponed.

## Concrete Mix Design

The concrete supplier is responsible for providing a mix design that is suitable for filling rediwall®.

The concrete core fill mix must be designed with enhanced flow characteristics. Such concrete is available from most of the major concrete suppliers.

AFS trials and experience have shown that a concrete mix that is designed such that segregation and blowouts are prevented whilst achieving the required level of compaction will have the following basic characteristics:

- $f'c = 25$  to 65 MPa (to be as specified by the project structural engineer).
- 7-10mm maximum aggregate.
- A long line, or pumpable wall mix is normally used to fill rediwall®. Block fill mix is not recommended.
- Design slump of 180mm.

## Concrete Usage

Rediwall® Panel	RW110C	RW156C	RW200C	RW256S	RW275S	RW300S
Per Cubic Metre of Concrete	Square Metres of Wall Area					
	9.7m <sup>2</sup>	6.7m <sup>2</sup>	5.2m <sup>2</sup>	4.0m <sup>2</sup>	3.7m <sup>2</sup>	3.4m <sup>2</sup>
Per Square Metre of Wall Area	Cubic Metres of Concrete					
	0.103m <sup>3</sup>	0.149m <sup>3</sup>	0.193m <sup>3</sup>	0.247m <sup>3</sup>	0.267m <sup>3</sup>	0.291m <sup>3</sup>

## Rediwall® Concrete Mix Design Guide

	AFS Rediwall® Mixes (Refer to Structural Engineer for Mix specification)				
Strength $f'c$ (MPa)	S25	S32	S40	S50	S65
Target Installation Slump	180±20	180±20	180±20	180±20	180±20
Design Slump (mm)	180	180	180	180	180
Maximum W/C Ratio	0.7	0.6	0.45	0.4	0.35
Nominal Fine to Total Aggregate Percentage (%)	65	60	55	50	50
Maximum Aggregate Size (mm)	10	10	10	10	10
Maximum 56 Day Drying Shrinkage (µm)	1000	1000	1000	1000	1000
Recommended Admixtures	WRPAPN20 (WR) ex Grace, ADVA-142 (HWR) ex Grace, or equivalent				

Notes:

- For higher on-site temperature environments slump of the batching plant may be varied to suit these conditions.
- Site water is allowed to be used to reach desired installation slump however, the maximum W/C ratio must not be exceeded.
- Due to local raw material availability, characteristics will vary significantly, refer to Project Engineer for further details.
- The addition of all admixtures are typically dosed at the beginning of the batch.
- Concrete mix should have a typical 'Gel' time of 30-60min in accordance with the Gel Test detailed in this guide.

## Concrete Delivery & Placement

The concrete must be placed using a suitable concrete pump via a 50mm delivery hose. Never fill rediwall® using a kibble.

The average pump rate for core filling afs rediwall® is 12m<sup>3</sup> per hour. It is important to advise the concrete supply company of the required delivery turnaround time. (e.g. 1 x 5m<sup>3</sup> load every half hour, taking approximately 30mins to empty the truck).

Admixtures including plasticiser and flyash are used to increase the target slump to 180mm maximum for standard AFS pump mixes.

## Concrete 'Gel' Test

The concrete core filling of rediwall® is undertaken in passes, with concrete pours limited to 1500mm high per pass. A simple reinforcement test shall be undertaken to check that concrete in each pass has 'gelled' sufficiently before the subsequent pass (typically 45 minutes or more). The test steps are as follows:

- A. After the first pass of the concrete pour, lower an N12 or N16 reinforcement bar into the rediwall® cavity until the reinforcement contacts the wet concrete.
- B. Let the reinforcement bar fall under its own weight. If the reinforcement bar sinks 75 - 125mm into concrete and stops, it indicates that the concrete has 'gelled' sufficiently for the second pass of the concrete pour to commence.
- C. If the reinforcement bar does not stop and continues to go down into the wet concrete, the concrete is still too wet for commencement of the second pass of the concrete pour. Allow suitable time for the concrete to 'gel'. Then, conduct the test again to check and ensure that it meets the bar sink criteria as noted in Step 'B' before proceeding to the next pass of the concrete pour.
- D. Depending on wall height, the gel test shall be carried out for all subsequent passes of the concrete pour.

## Concrete Pour Procedure

### CORNERS

Start pouring the wall near the 'Corner'. Hold the hose directly over the panels, placing concrete to create a "concrete mound" to a maximum height of 1500mm in the corner. Continue pour "cascading" concrete away from the corner along the wall until the maximum pour height of 1500mm is reached.

If pouring from one corner to the next (Lift Shaft, etc), move the hose forward to the corner and work your way back to the middle of the wall, until the maximum pour height of 1500mm is reached.

**Note:** When using the afs rediwall® corner assembly the outer corner edge voids do not need to be concrete filled to maintain structural integrity of the corner section.

### T-SECTION

Start pouring the wall from the 'T-Section'. Hold the hose directly over the panels, placing concrete to create a "concrete mound" to a maximum height of 1500mm, then continue cascading the pour moving away from the T-Section until the maximum pour height of 1500mm is reached.

### END OF WALL.

Start pouring near the end of the wall. Hold the hose directly over the panels, placing concrete to create a "concrete mound" to a maximum height of 1500mm, then continue cascading the pour moving away from the end of the wall until the maximum pour height of 1500mm is reached.

### DOOR FRAMES

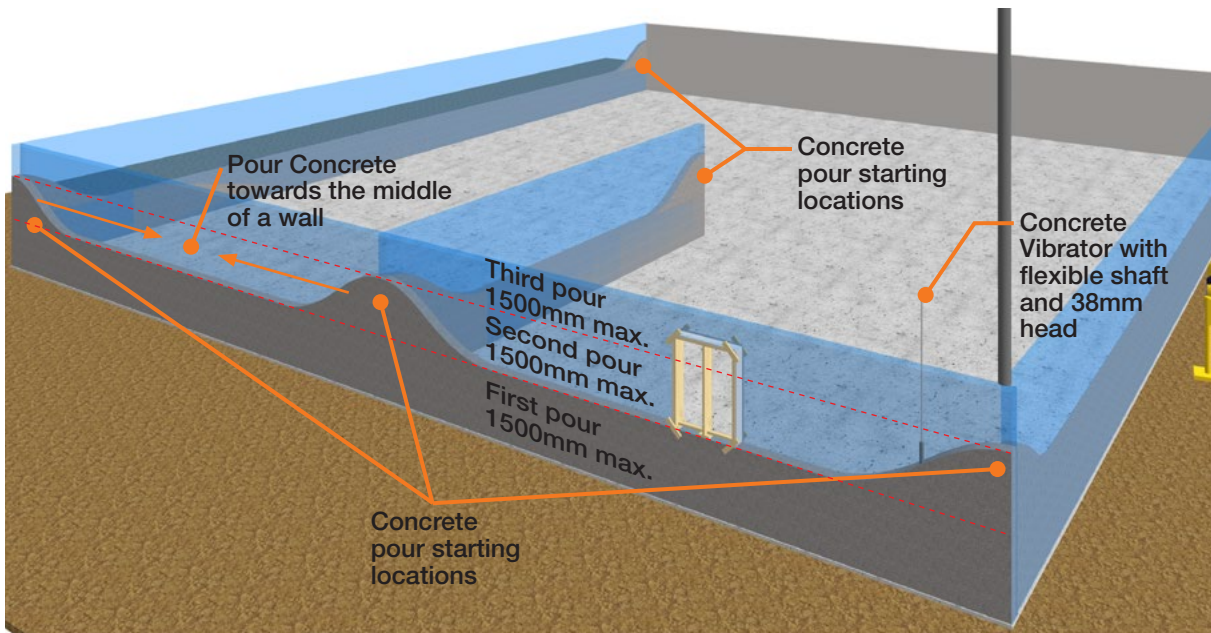
Start pouring the wall from the 'Door Frame'. Hold the hose directly over the panels, placing concrete to create a "concrete mound" against the frame to a maximum height of 1500mm, then continue cascading the pour moving away from the door frame along the wall until the maximum pour height of 1500mm is reached.

### WINDOWS AND HEADERS

At openings, such as windows or large mechanical penetrations, lower the hose under the formwork deck and ensure all sills are adequately filled. On the remaining lifts, core fill headers and lintels.



## Start Locations and Pour Lines



## Use of a concrete vibrator in AFS Rediwall®

For the vibration of concrete a concrete vibrator with flexible shaft and 38mm head is to be used. Place the vibrator at the bottom level of the pour and move up and out of the pour zone slowly over a period of 5-10 seconds, or no further air bubble develop of the surface of the concrete. Repeat every 300-400mm apart, in each completed pour (max 1500mm height).

Care should be taken when vibrating not to directly vibrate the reinforcing steel to ensure monolithic concrete wall.

The vibrator should not be held against the panel faces.



Battery operated vibrator

Petrol operated vibrator

## Finishing of Sills & Top of Wall

When the sills and tops of walls have been filled, they should be neatly trowel finished.

The top of the sill/wall is either:

1. Left set down slightly if a slab is to be poured over the top;
- OR
2. Trowelled off smooth to 5mm fall if it is the finished top of a wall or if it is to be the bearing edge for Delta-core or Ultra-floor to sit on.
- OR
3. If the top of wall is to be left exposed, an additional waterproof capping is to be added.
- OR
4. Trowelled off smooth to 5° fall if it is the finished top of a window sill.

## Placing of 'L' Bars at Top of Wall

Reinforcing 'L' bars may be required to be placed in the wet concrete at the top of the wall to tie the wall and future overhead floor slab together.

Reinforcing 'L' bars must be placed and temporarily held in-place until the concrete cures. Design, spacing and placement are to be confirmed by the Project Engineer.

## Concrete Clean-up

During the pour, some concrete splatter may occur on the slab below and down the face of the afs rediwall® panels.

All concrete splatter must be cleaned off before it cures.

Team members should follow the pour, brushing all splattered concrete off the slab and walls and if necessary, wiping the walls down with a wet sponge.

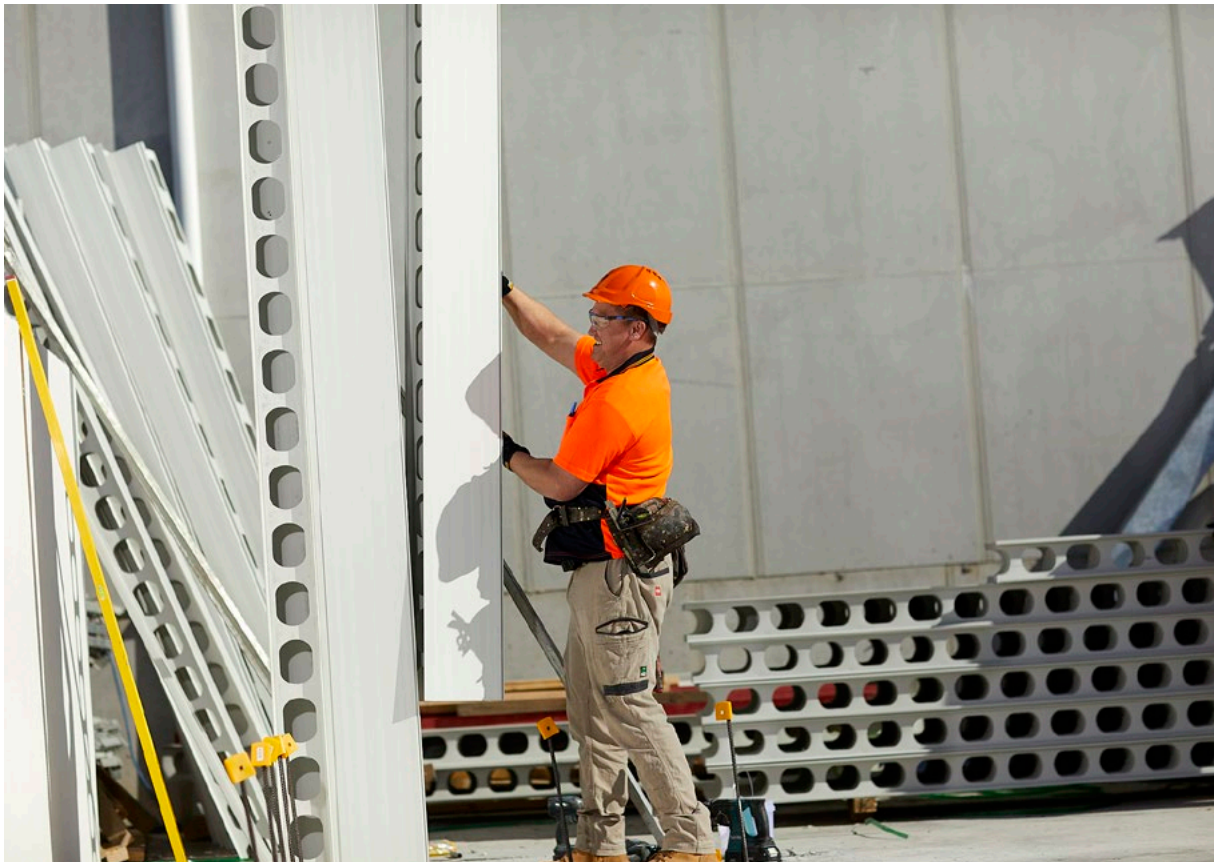
## Early Removal of Temporary Bracing

Temporary bracing is normally removed once the slab over is poured or the roof is attached. However, if due to site conditions or other circumstance, it is desirable to remove the temporary bracing earlier, approval must be obtained from the Project Engineer, especially in situations where the rediwall® is to become a retaining wall and will be back-filled against, or is to be loaded with a pre-cast slab system such as 'Delta-core.'

## Cleaning of Finished AFS Rediwall®

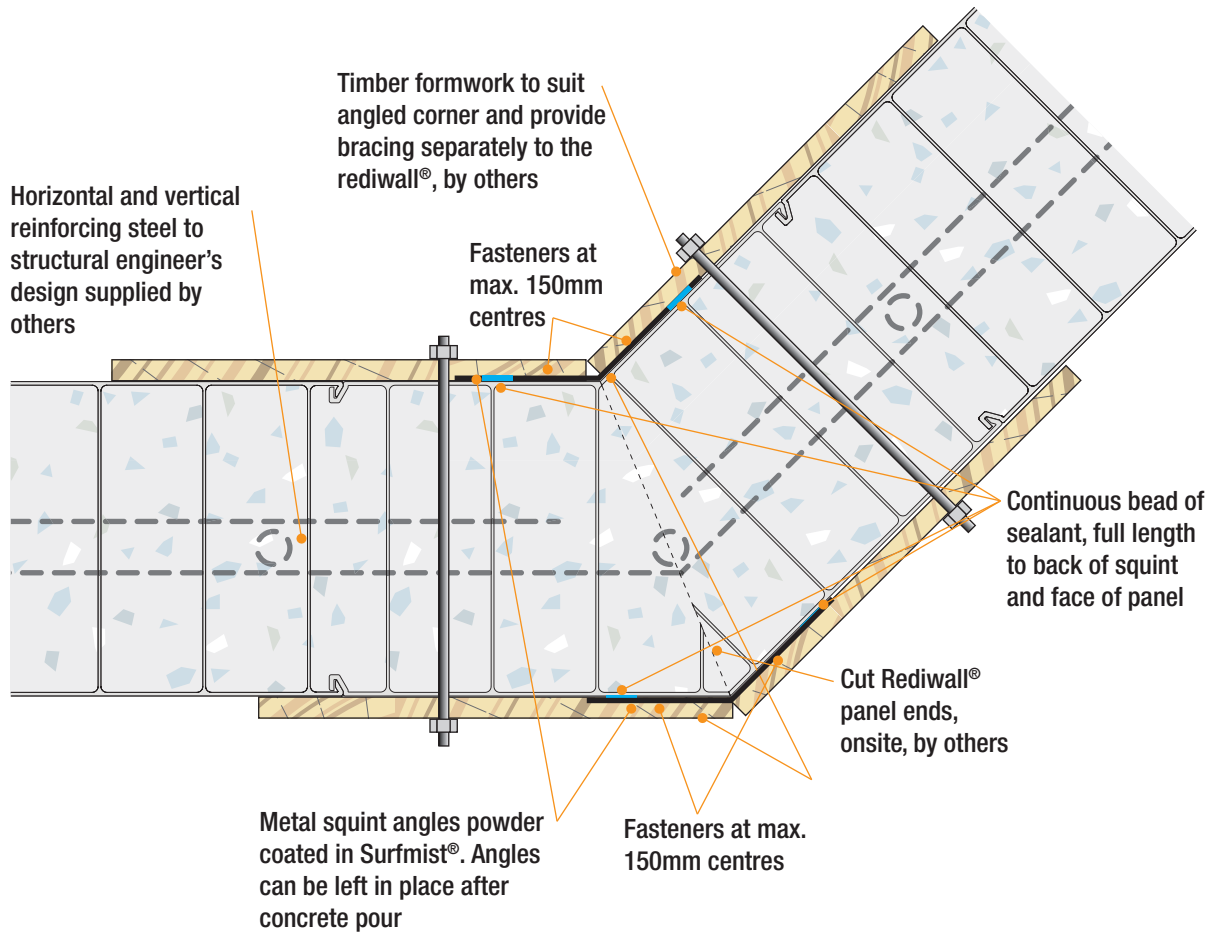
For cleaning of finished rediwall®, use high pressure water blasting, conducted in a similar way to brick cleaning. If required, a 10% acid or lemon concentrate can be added to the cleaning mix.

Patching of holes after removal of temporary bracing can be achieved by applying colour matched filler sealant or equivalent. Once dry, remove excess with sharp chisel or blade to achieve a flat surface.



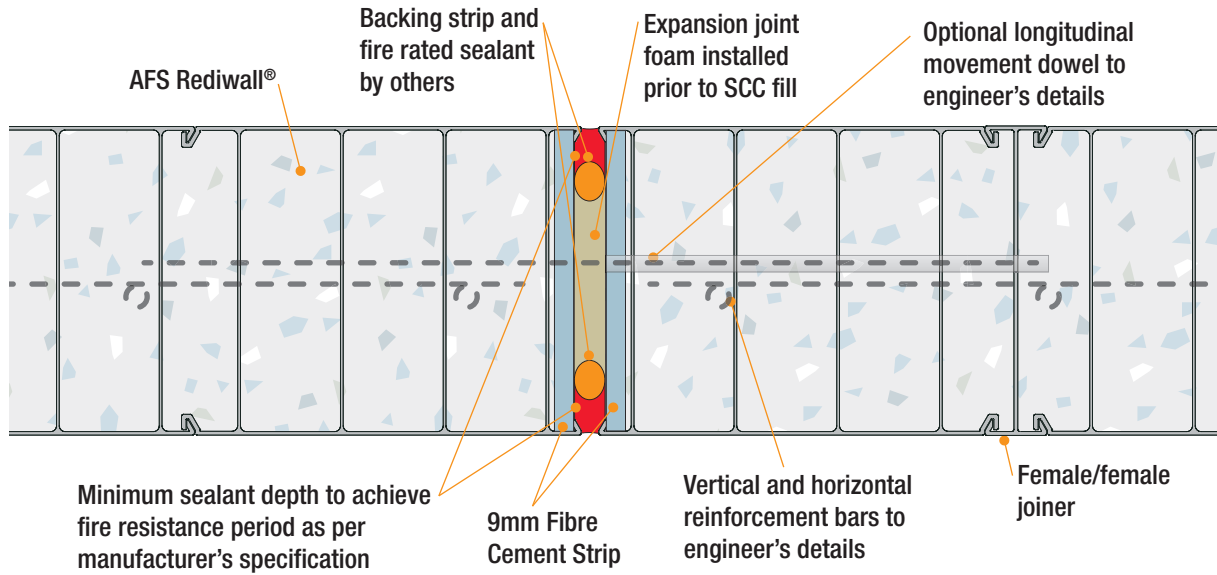
# SCC Construction Details

## Corners with Squint Angles



NOTE: Additional SCC formwork required for this detail. Consult site engineer.

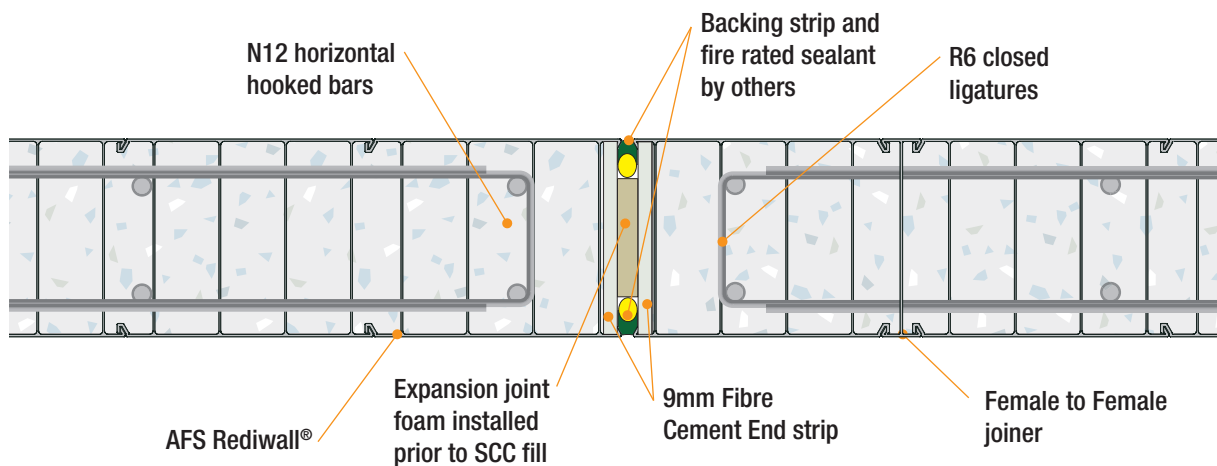
Movement Joint – Vertical Junction



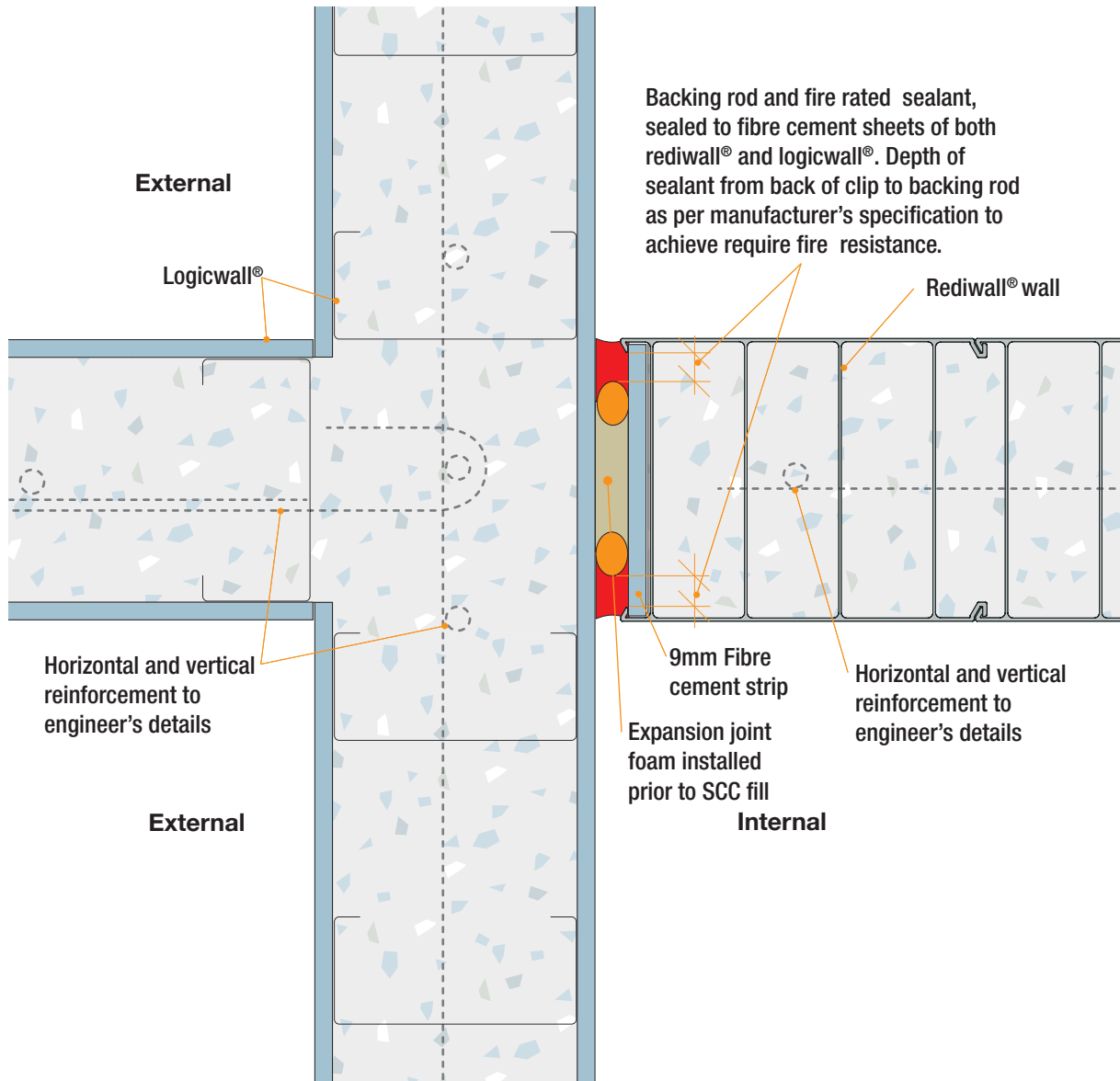
Notes:

- Can be dowel jointed if required structurally.
- Fire rating to be considered in project specifications.
- Refer to Volume 1 – Design, Performance & Compliance Guide, specific wall applications section to determine where this detail can be applied.

Movement Joint – Vertical Junction



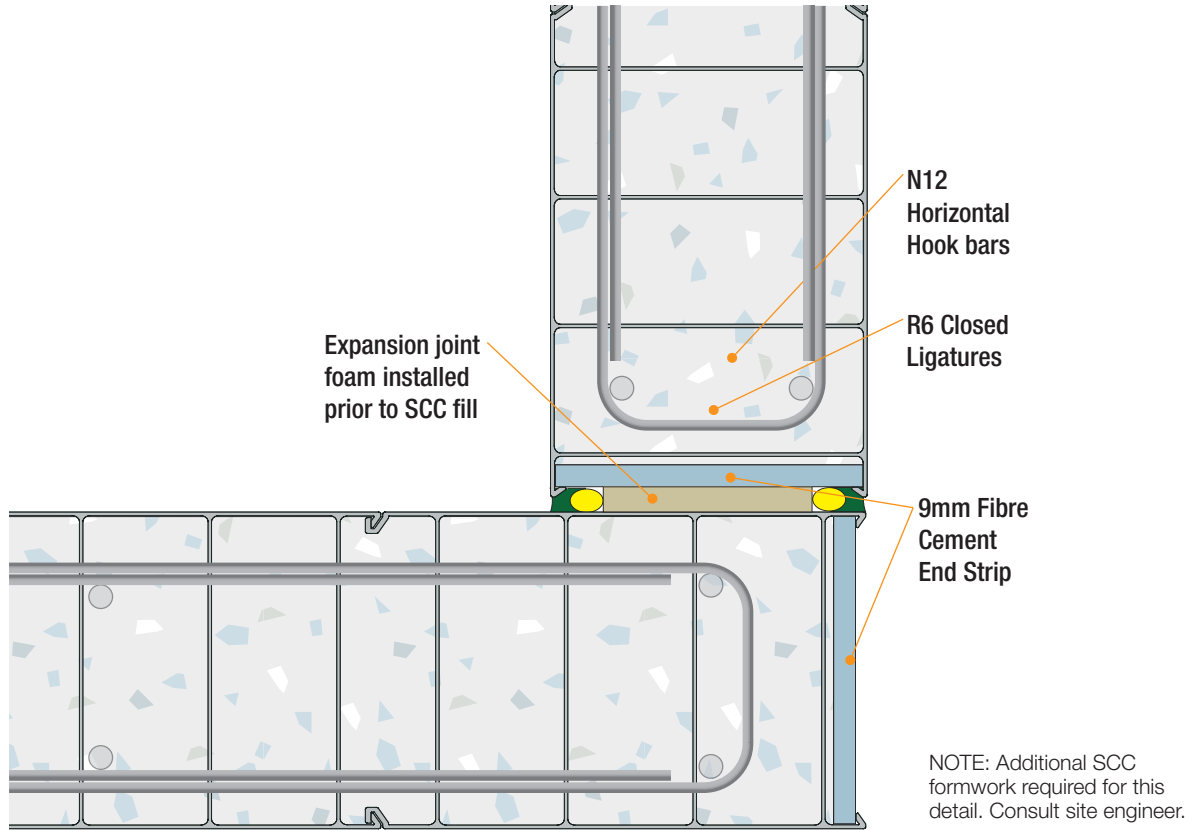
Junction of Rediwall® Party Wall and External Fire Rated Wall



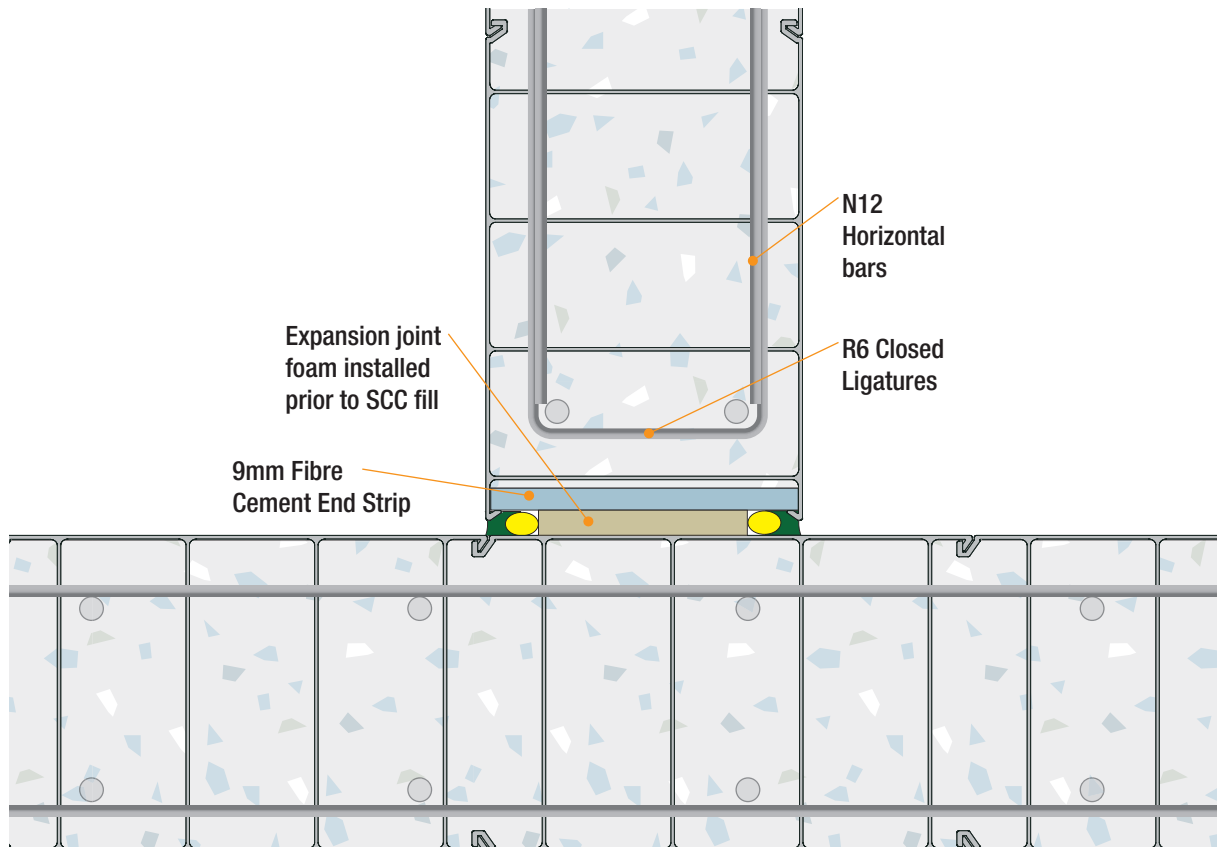
NOTES:

Refer to Volume 1 – Design, Performance & Compliance Guide, specific wall applications section to determine where this detail can be applied.

Rediwall® Corner Junction

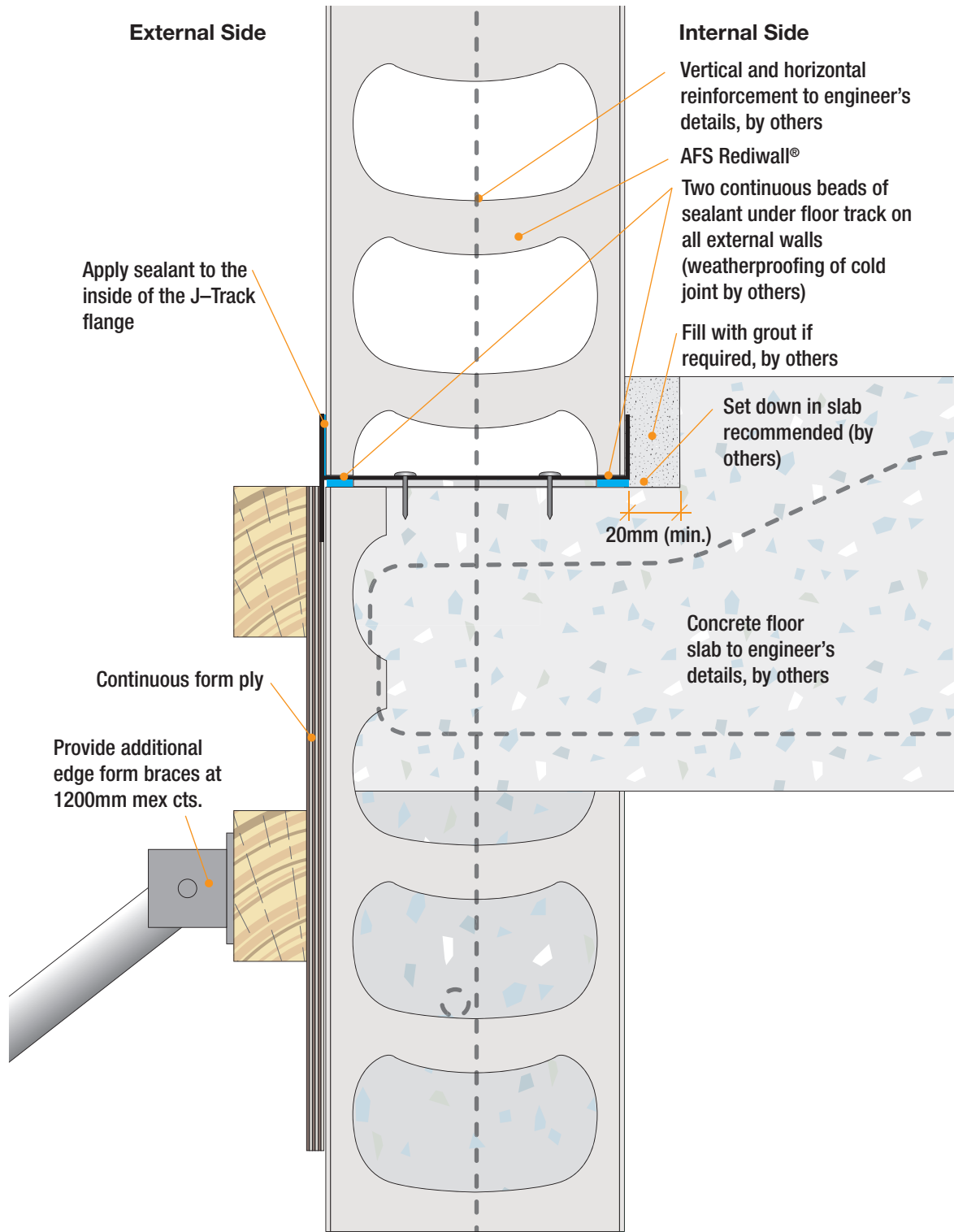


Rediwall® T-Junction with Movement joint

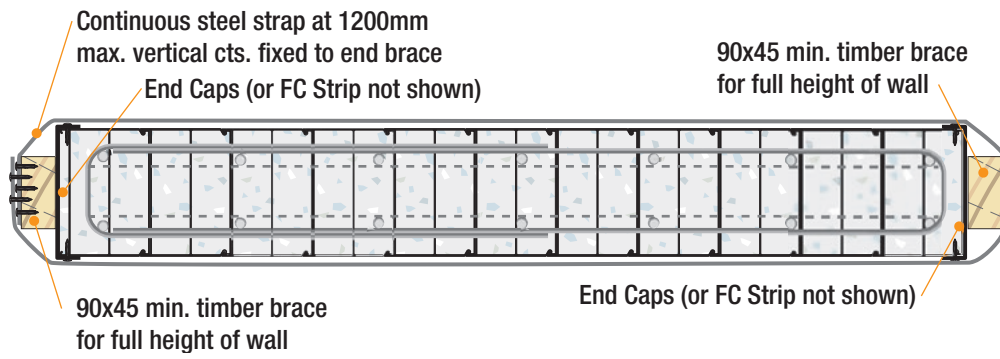


# Additional Bracing & Formwork Details for SCC

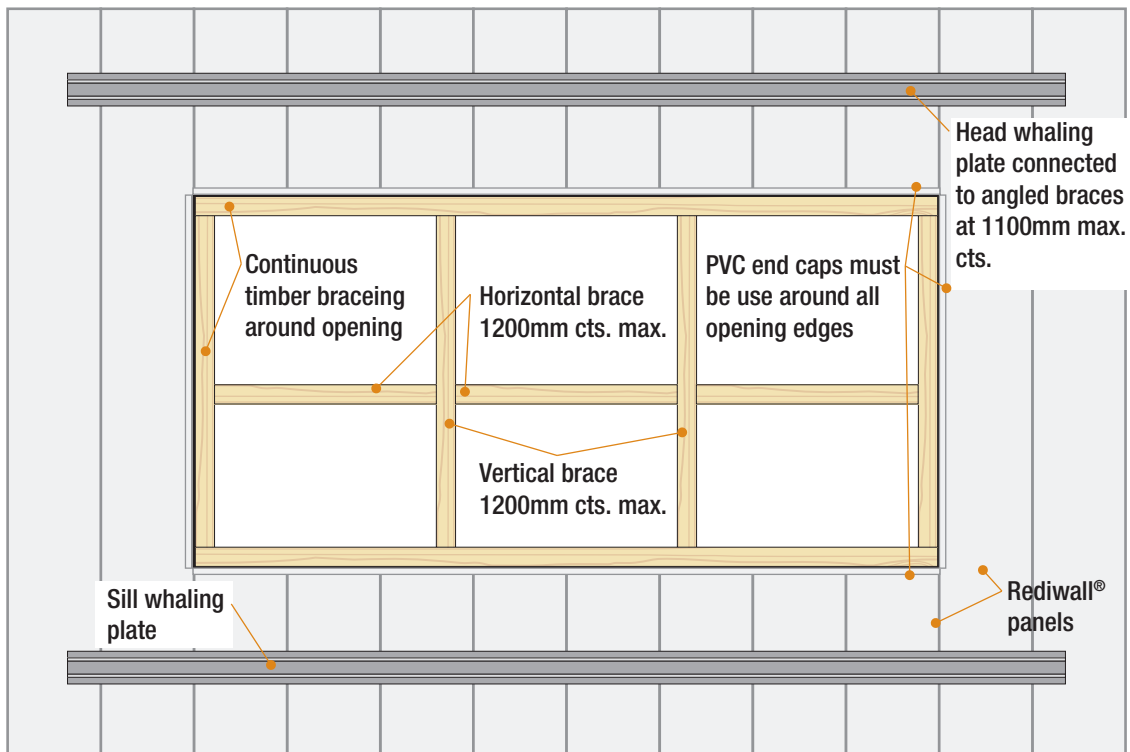
SCC typical edge brace



Typical Blade Column bracing detail



SCC window brace typical window opening

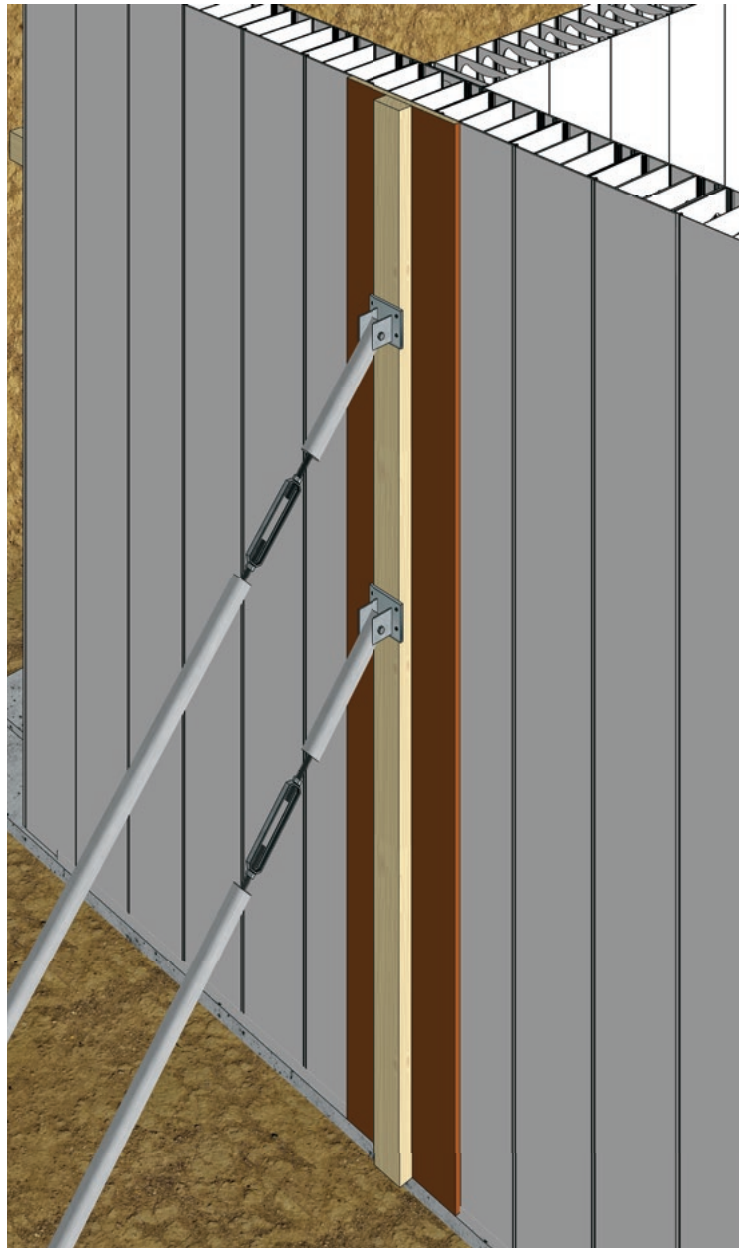




## SCC Bracing of T-Junctions

Where a T-junction is made, the main wall shall be adequately propped on the opposite side and local to the T-junction. This bracing is required to contain any lateral forces when this section of the wall is filled with concrete and to avoid dislodgement. For a short T-wall or nib, the end of this short T-wall shall also be adequately propped to stop potential bulging of T-junctions.

The external vertical bracing timber shall be the full height of the wall, and is to be pressed firmly against the wall opposite the T-junction. A backing plate of 19mm ply should be used with a width of a least 100mm overlap on either side of the panel junction width. For example RW200C requires an overall width of  $100+200+100=400\text{mm}$ . A minimum of 2 angled braces are to be used to support the bracing.





**Disclaimer:** The products referred to in this document have been manufactured by or on behalf of CSR Building Products Limited ("CSR") to comply with the Building Code of Australia and any relevant Australian Standards. While any design or usage guidelines set out in this document have been prepared in good faith by CSR, they are of a general nature only and are intended to be used in conjunction with project specific design and engineering advice. It is the responsibility of the customer to ensure that CSR's products are suitable for their chosen application, including in respect of project-specific matters such as, but not limited

structural adequacy, acoustic, fire resistance/combustibility, thermal, and weatherproofing requirements. All information relating to design/installation/application of these products is offered without warranty and no responsibility can be accepted by CSR for errors and omissions, or for any use of the relevant products not in accordance with CSR's technical literature or any other relevant industry standards. For current technical and warranty documentation relating to CSR's products, visit the AFS website at [www.afsformwork.com.au](http://www.afsformwork.com.au)

(C) 2024 AFS Systems Pty Ltd ABN 455 760 727 88  
BMS1929 1023 – November 24

**afs**

[afsformwork.com.au](http://afsformwork.com.au) • 1300 727 237

AFS Systems Pty Ltd • 110 Airlds Road, Minto NSW 2566

**CSR**